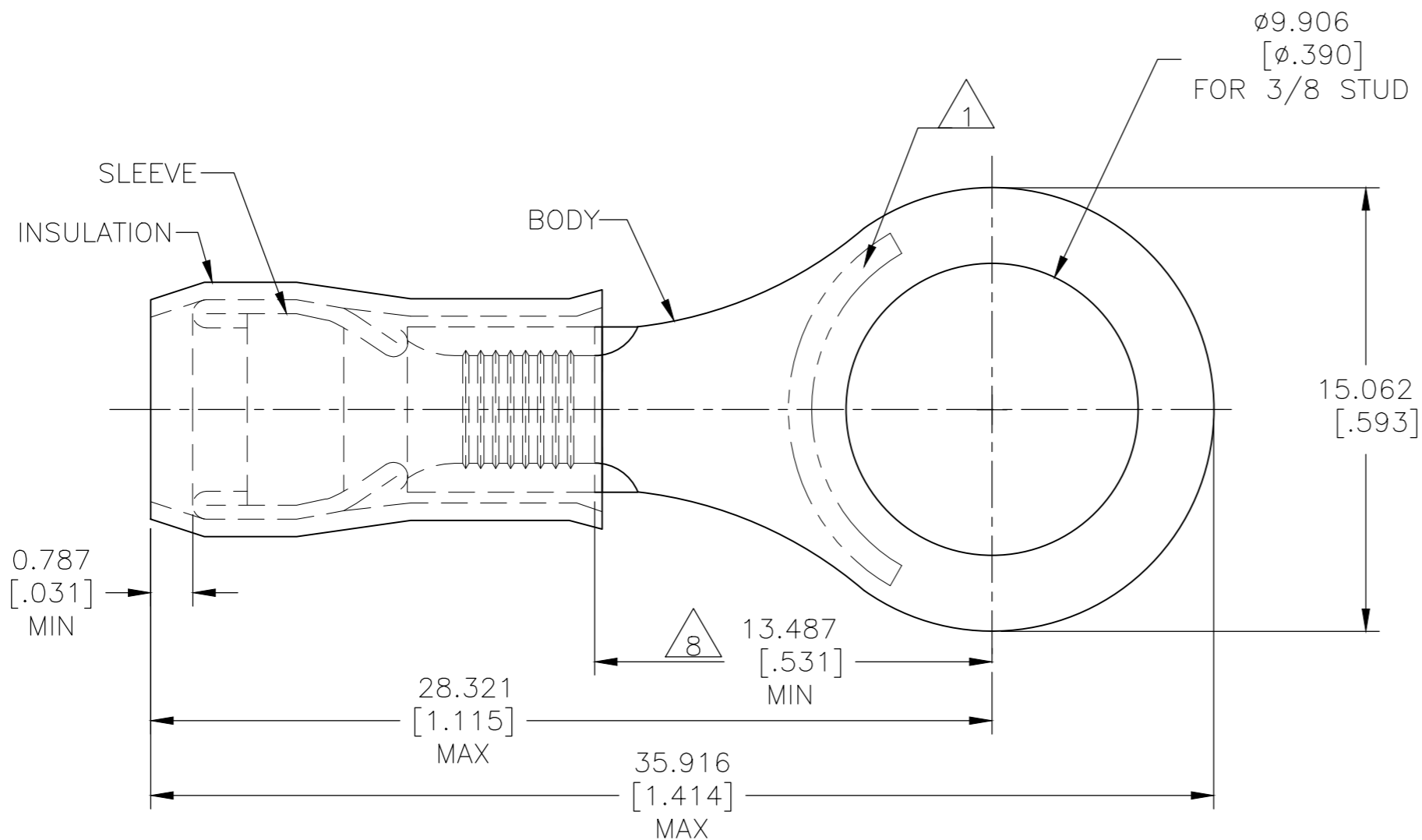
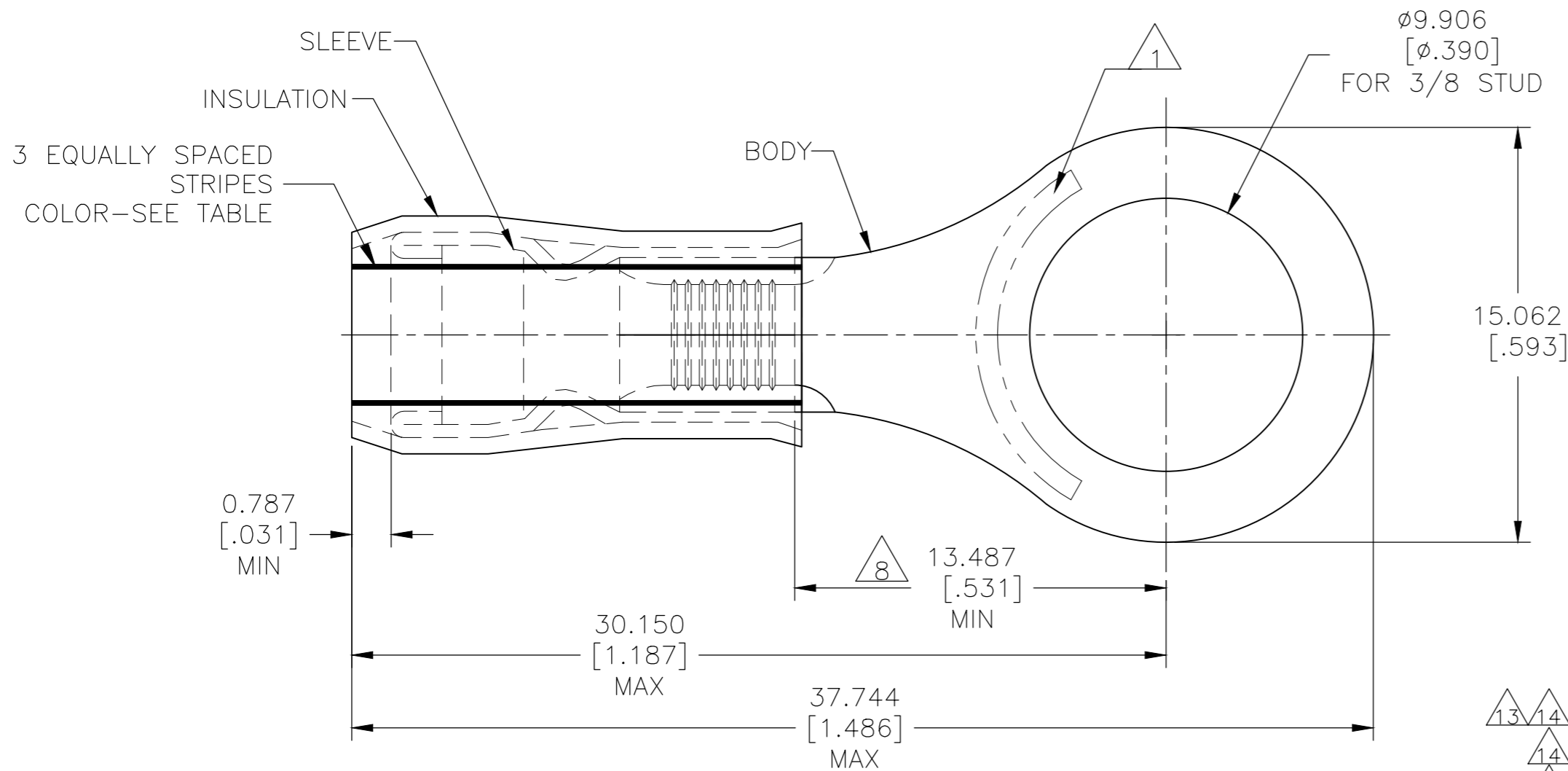


THIS DRAWING IS UNPUBLISHED. RELEASED FOR PUBLICATION  
 © COPYRIGHT - By - ALL RIGHTS RESERVED.

REVISIONS					
P	LTR	DESCRIPTION	DATE	DWN	APVD
P1		REVISED PER ECO-17-007400	27NOV2017	RS	DR
P2		REVISED PER ECO-19-007720	21MAY2020	KR	DR



STYLE "A"



STYLE "B"  
INSULATION RESTRICTING

<b>AMP</b> WIRE RANGE	Listed FILE E13288	LR7189 Certified
12-10 AWG SOLID OR STRANDED IR: STRANDED	12-10 AWG STRANDED	12-10 AWG SOLID OR STRANDED IR: STRANDED

- STAMP "AMP - SEE TABLE" APPROX AS SHOWN
- 2 WIRE INSULATION DIA: SEE TABLE.
- 3 BODY MATERIAL THK: 1.016±0.051[.040±.002]
- FINISH:  
BODY: TIN PLATE 0.00254[.000100] MIN EXT THK PER ASTM B545.  
INSULATION: COLOR-YELLOW.
- FINISH:  
SLEEVE: TIN PLATE 0.00254[.000100] MIN EXT THK PER ASTM B545.  
INSULATION: COLOR-YELLOW.
- FINISH:  
SLEEVE: NICKEL PLATE PER QQ-N-290.  
INSULATION: COLOR-YELLOW.
- MATERIAL:  
BODY & SLEEVE- CU PER ASTM B152  
INSULATION - NYLON PER ASTM D4066.
- APPLIES FROM EDGE OF METAL WIRE BARREL  
TO CENTER OF STUD HOLE.
- MEETS MS25036-114, CLASS 1 & 2.
- MEETS MS25036-114, CLASS 2.
- MEETS M7928/1-61, CLASS 1 & 2.
- MEETS M7928/1-68, CLASS 1 & 2.
- UL LISTED
- CSA CERTIFIED

QTY	PACKAGE TYPE	STAMPING	WIRE INSUL DIA	WIRE SIZE	STRIPE COLOR	STYLE	BODY FINISH	SLEEVE FINISH	PART NO
1000	ON TAPE & REEL	12-10*	Ø3.810-5.842[Ø.150-.230]	12-10	---	"A"			2-320577-3
500	LOOSE PIECE	10*	Ø3.027-5.100[Ø.119-.200]	10	BROWN	"B"			2-320577-2
500	LOOSE PIECE	12*	Ø2.413-5.100[Ø.095-.200]	12	YELLOW	"B"			2-320577-1
500	LOOSE PIECE	12-10*	Ø3.810-5.842[Ø.150-.230]	12-10	---	"A"			320577

<b>CUSTOMER SERVICE SYSTEMS</b>		MAX RECOMMENDED OPERATING TEMPERATURE: 105°C[221°F] MAX		THIS DRAWING IS A CONTROLLED DOCUMENT.		DWN JR RUTH 23DEC09		TE Connectivity	
FOR ADDITIONAL PRODUCT INFORMATION OR COPIES OF DRAWINGS AND TECHNICAL DOCUMENTS 1-800-522-6752		VOLTAGE RATING: 300 VOLT MAX		DIMENSIONS: mm [INCHES]		CHK T MICHIELUTTI 23DEC09			
FOR APPLICATION TOOLING ASSISTANCE CENTER 1-800-722-1111		CIRCULAR MIL AREA: 2.62-6.64mm²[5,180-13,100] STRANDED OR SOLID		TOLERANCES UNLESS OTHERWISE SPECIFIED: 0 PLC ± - 1 PLC ± - 2 PLC ± - 3 PLC ± 0.127[.005] 4 PLC ± - ANGLES ± -		APVD T MICHIELUTTI 23DEC09		PRODUCT SPEC UL 486 A-B	
FOR ORDER ENTRY 1-800-526-5142				MATERIAL		FINISH		APPLICATION SPEC 114-2157	
						WEIGHT -		SIZE A2	
						CUSTOMER DRAWING		CAGE CODE 00779	
								DRAWING NO C=320577	
								RESTRICTED TO -	
								SCALE 5:1	
								SHEET 1 of 1	
								REV P2	

单击下面可查看定价，库存，交付和生命周期等信息

[>>TE Connectivity\(泰科\)](#)