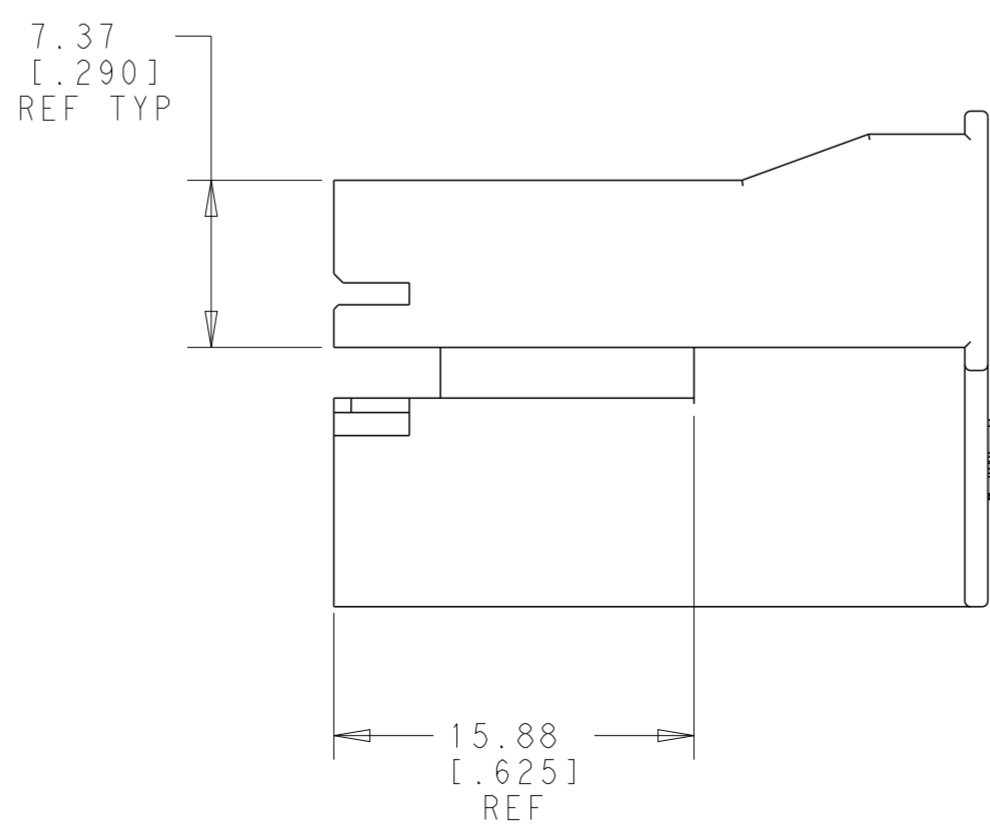
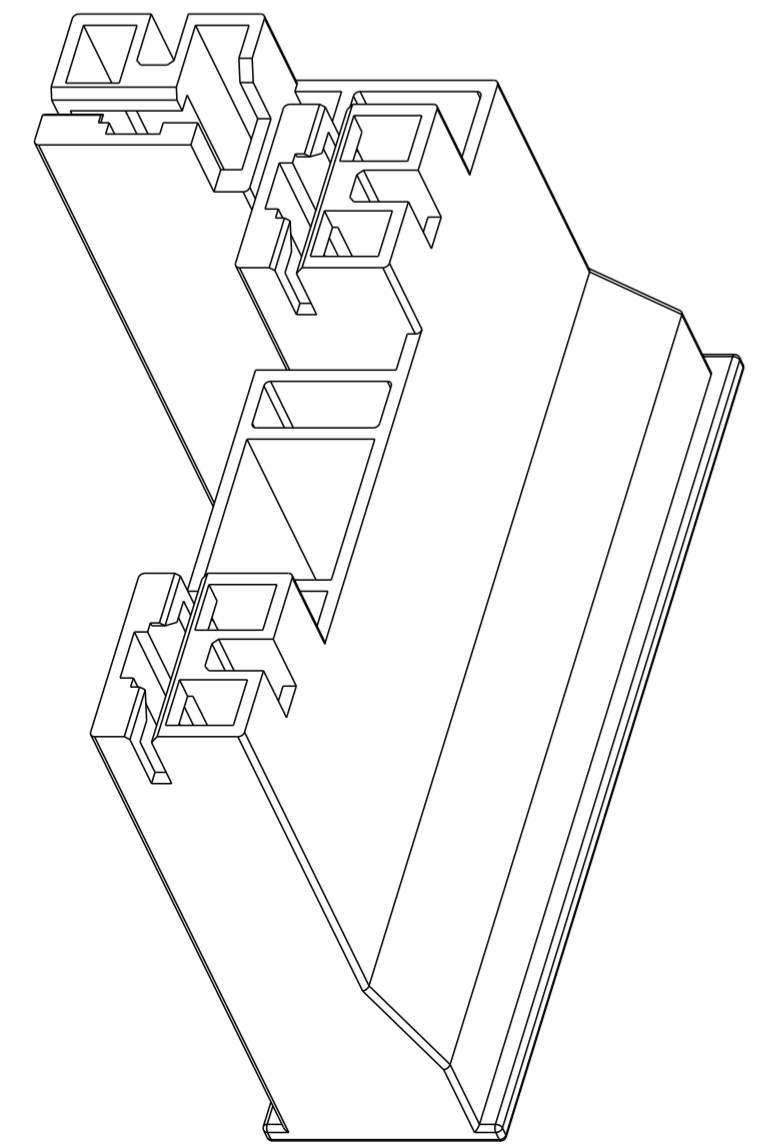
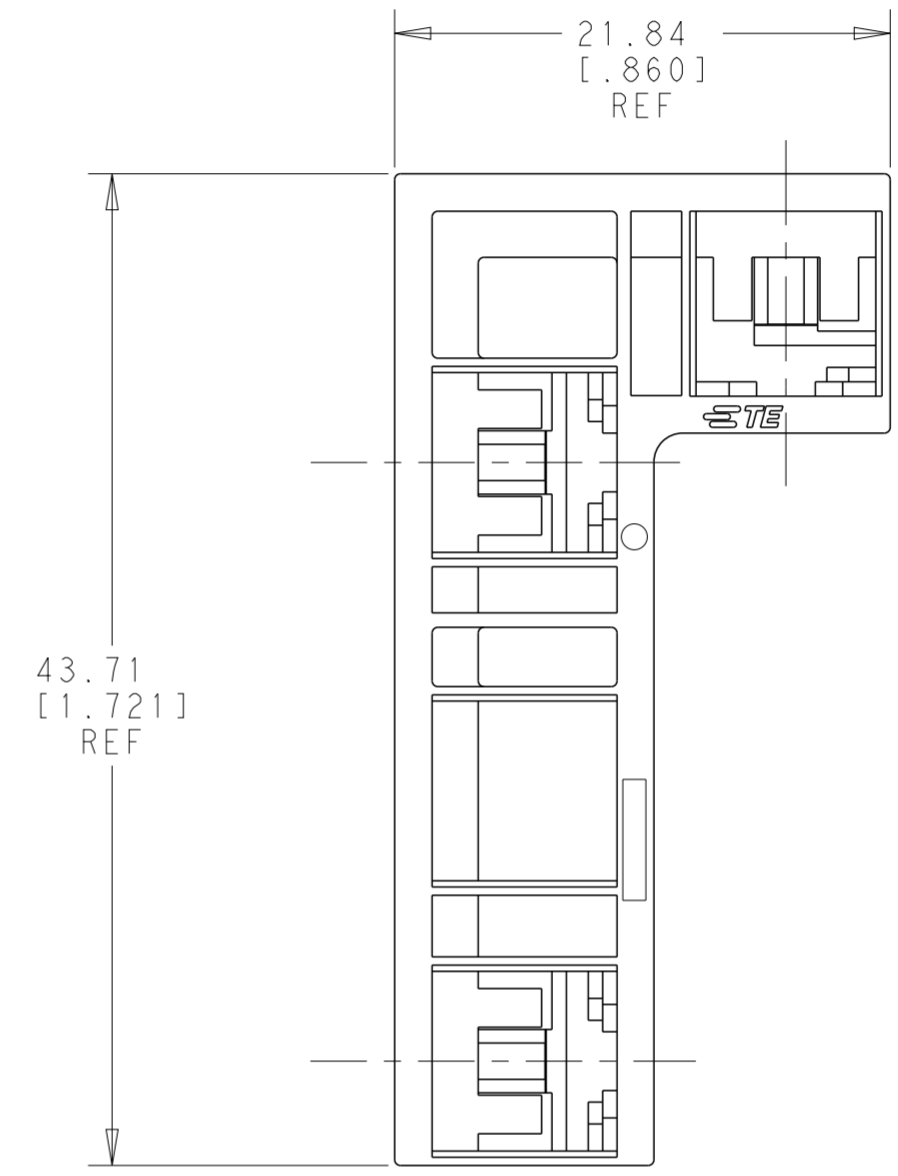
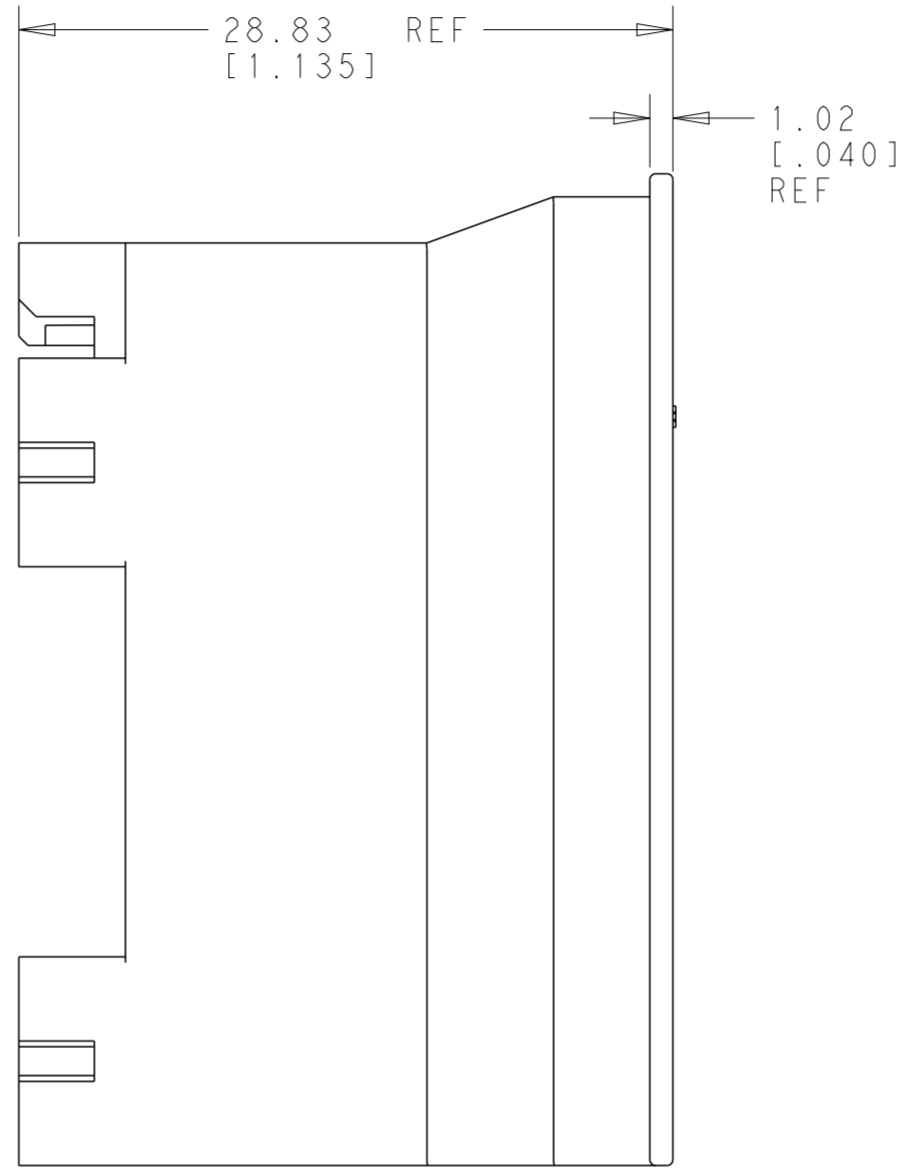
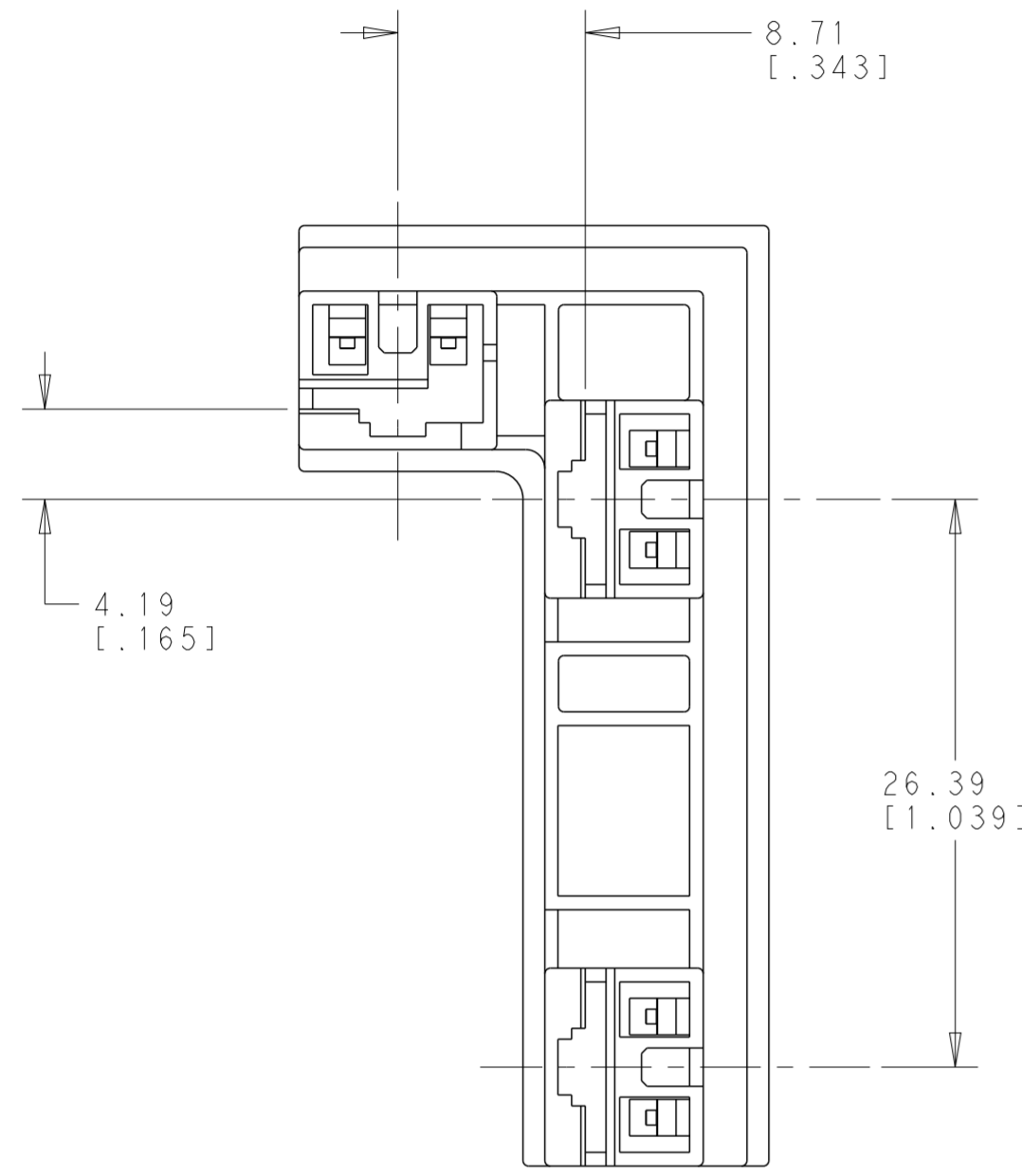



THIS DRAWING IS UNPUBLISHED. RELEASED FOR PUBLICATION 20
 © COPYRIGHT 20 BY - ALL RIGHTS RESERVED.

REVISIONS				
P	LTR	DESCRIPTION	DATE	APVD
A		REVISED PER ECR-16-014077	06OCT2016	BW RS

1 THIS HOUSING ACCEPTS BOTH FASTON AND POSI-LOCK MKII TERMINALS.



THIS DRAWING IS A CONTROLLED DOCUMENT.		DWN NAGALAKSHMI, K	23 JUN 2015	NATURAL		NYLON V0	1969760-1
DIMENSIONS: mm [INCHES]		CHK DIDONATO, MICHAEL	23 JUN 2015	COLOR		MATERIAL	PART NO
TOLERANCES UNLESS OTHERWISE SPECIFIED:		APVD DIDONATO, MICHAEL	23 JUN 2015	 TE Connectivity			
0 PLC ± 1 PLC ± 2 PLC ± 3 PLC ±0.25 [.010] 4 PLC ± ANGLES ± FINISH -		PRODUCT SPEC	NAME				
MATERIAL NYLON V0		APPLICATION SPEC	WEIGHT	SIZE	CAGE CODE	DRAWING NO	RESTRICTED TO
-		WEIGHT	-	A200779	C-1969760	-	-
-		CUSTOMER DRAWING	SCALE	3:1	SHEET	1 OF 1	REV A

单击下面可查看定价，库存，交付和生命周期等信息

[>>TE Connectivity\(泰科\)](#)