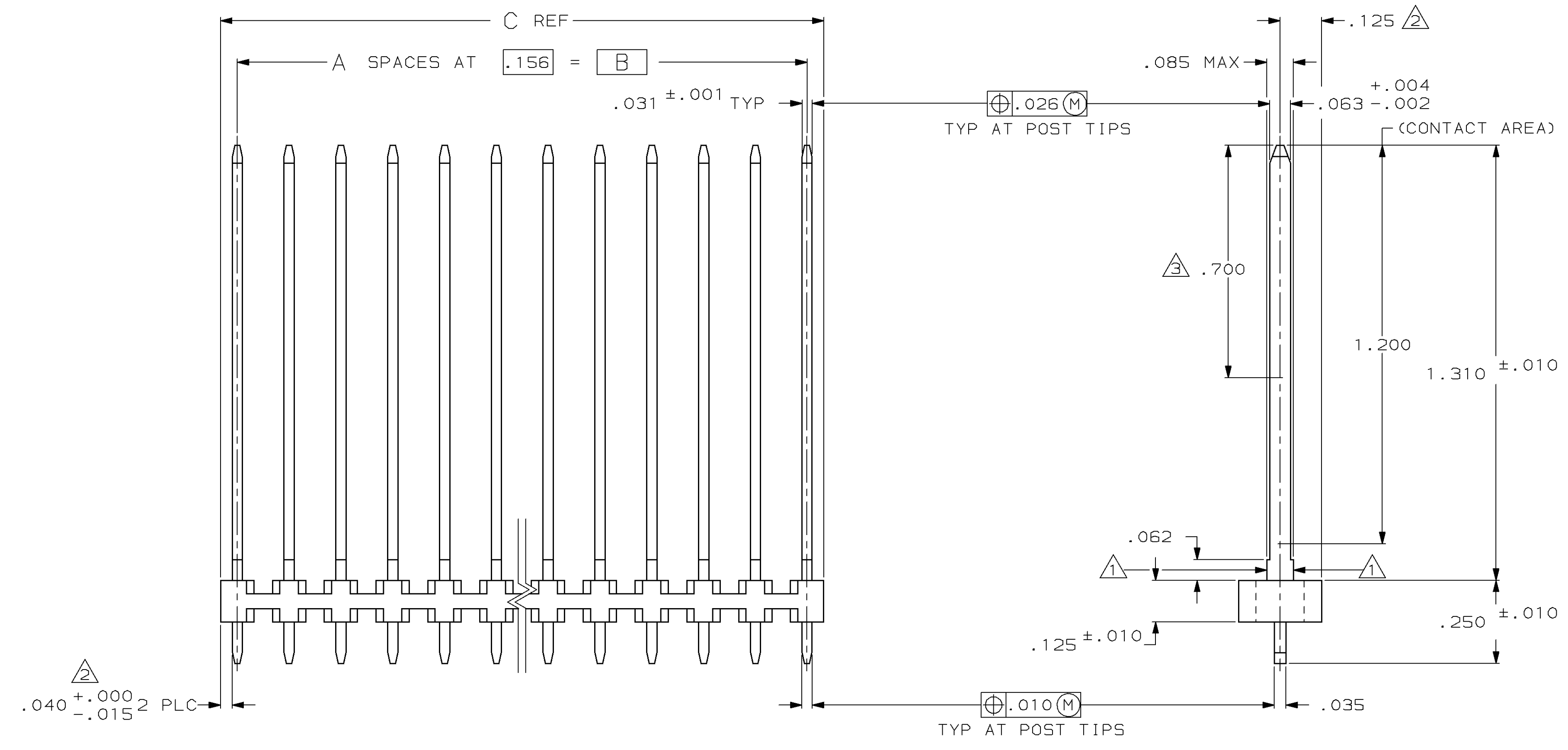
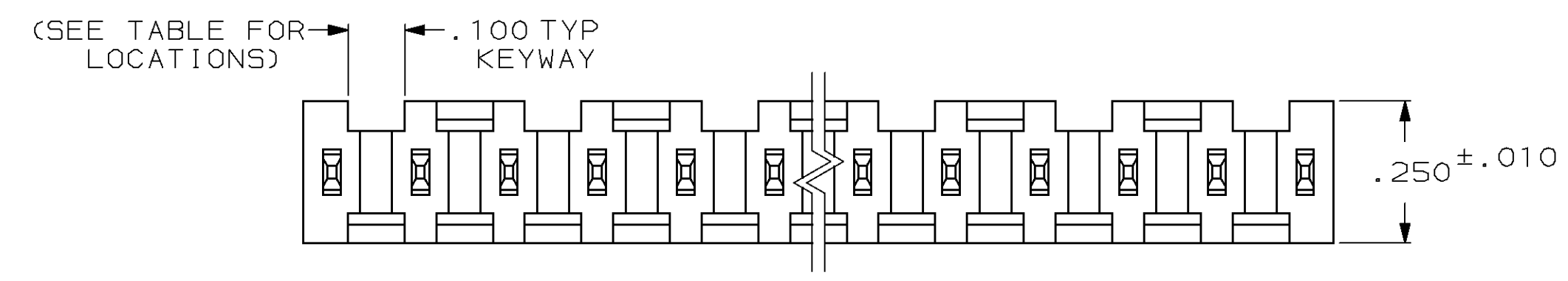
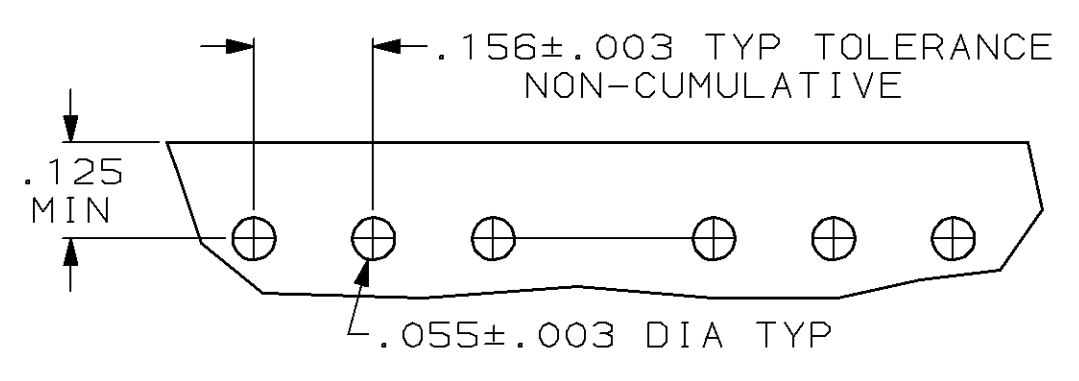


DRAWING MADE IN THIRD ANGLE PROJECTION
 THIS DRAWING IS UNPUBLISHED. RELEASED FOR PUBLICATION
 © COPYRIGHT 19 BY AMP INCORPORATED, HARRISBURG, PA. ALL INTERNATIONAL RIGHTS RESERVED. AMP PRODUCTS MAY BE COVERED BY U.S. AND FOREIGN PATENTS AND/OR PATENTS PENDING.

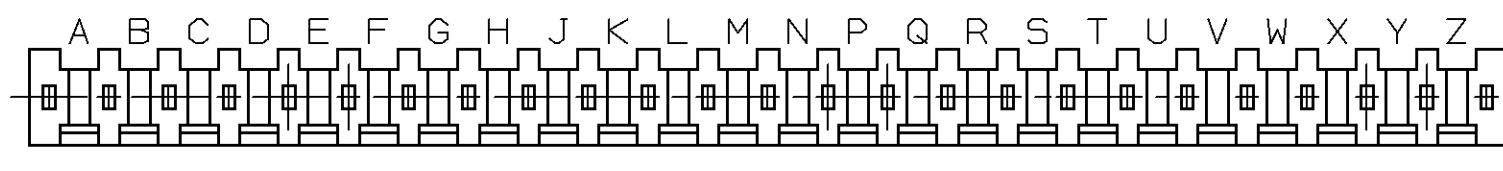
LOC	DIST	P	F	ZONE	LTR	DESCRIPTION	DATE	APPD
AD	39				A	REV & REDRAWN ECN 1413 & 1575	-	-
					B	REV ECN 1785	HM	-
					C	REV LOC & DIST AD-4171	3-90	BF
					D	REV PER 0010-1103-93	3-16-94	SAS
					E	REV PER 0010-1408-94	10-94	JH
					F	REV PER 0310-0048-97	7-14-97	JH



- ① THESE SURFACES WILL NOT BE PLATED
- ② THE NOTED DIMENSIONS APPLY AT THE INTERSECTION OF THE POST AND THE HOUSING
- ③ POINT OF MEASUREMENT FOR PLATING THICKNESS



RECOMMENDED HOLE LAYOUT



KEYWAY LOCATIONS (REF-SEE TABLE)
 (MATING LENGTH OF POST ON NEAR SIDE)
 SCALE: 2:1

OBSOLETE	A, D, G	3	1.359	1.248	8	9	102022-3
	A, C, E	3	.891	.780	5	6	102022-2
OBSOLETE	A, D	2	.735	.624	4	5	102022-1
	KEYWAY LOCATIONS	NO OF KEYWAY	C	B	A	NO OF POSN	ASSEMBLY PART NUMBER

UNLESS OTHERWISE SPECIFIED DIMENSIONS ARE IN INCHES TOLERANCES ON:	DR 9-15-87 H MOLL	AMP INCORPORATED Harrisburg, Pa. 17105
2 PL DEC ± -	CHK 9-23-87 E TREECE	
3 PL DEC ± .005	APPD 9-23-87 E TREECE	
ANGLES ± -	APPD 9-23-87 J SCHIEFER	
MATERIAL HOUSING - FLAME RETARDANT THERMOPLASTIC, COLOR - BLACK	PRODUCT SPEC 108-25016	NAME HEADER ASSEMBLY, MOD I, VERTICAL, SINGLE ROW, .156¢
POSTS - BRASS	APPLICATION SPEC -	SIZE D
FINISH POSTS: .000015 GOLD IN CONTACT AREA, GOLD FLASH ON REMAINDER, ALL OVER .000050 NICKEL	WEIGHT -	FSCM NO 00779
		DRAWING NO 102022
		SCALE 4:1
		SHEET 1 OF 1

单击下面可查看定价，库存，交付和生命周期等信息

[>>TE Connectivity\(泰科\)](#)