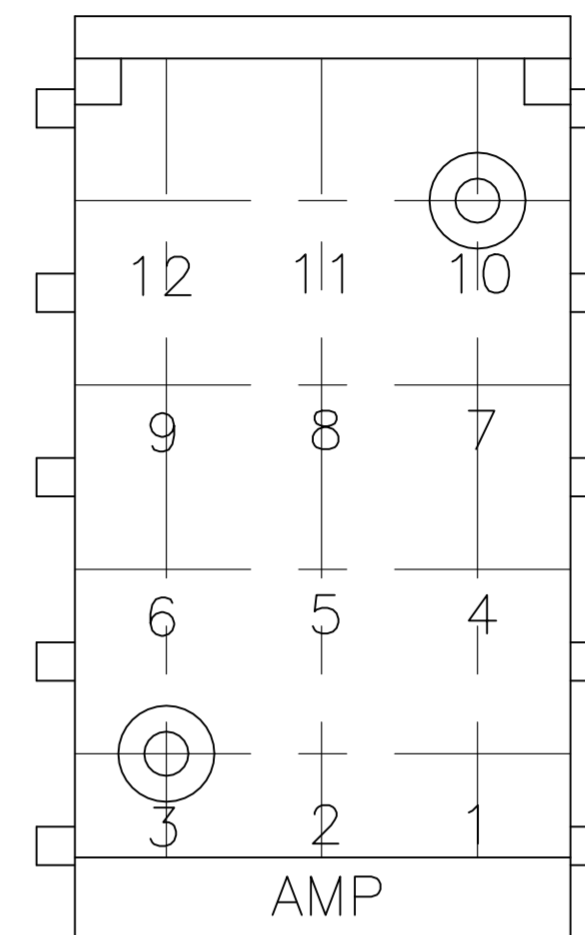
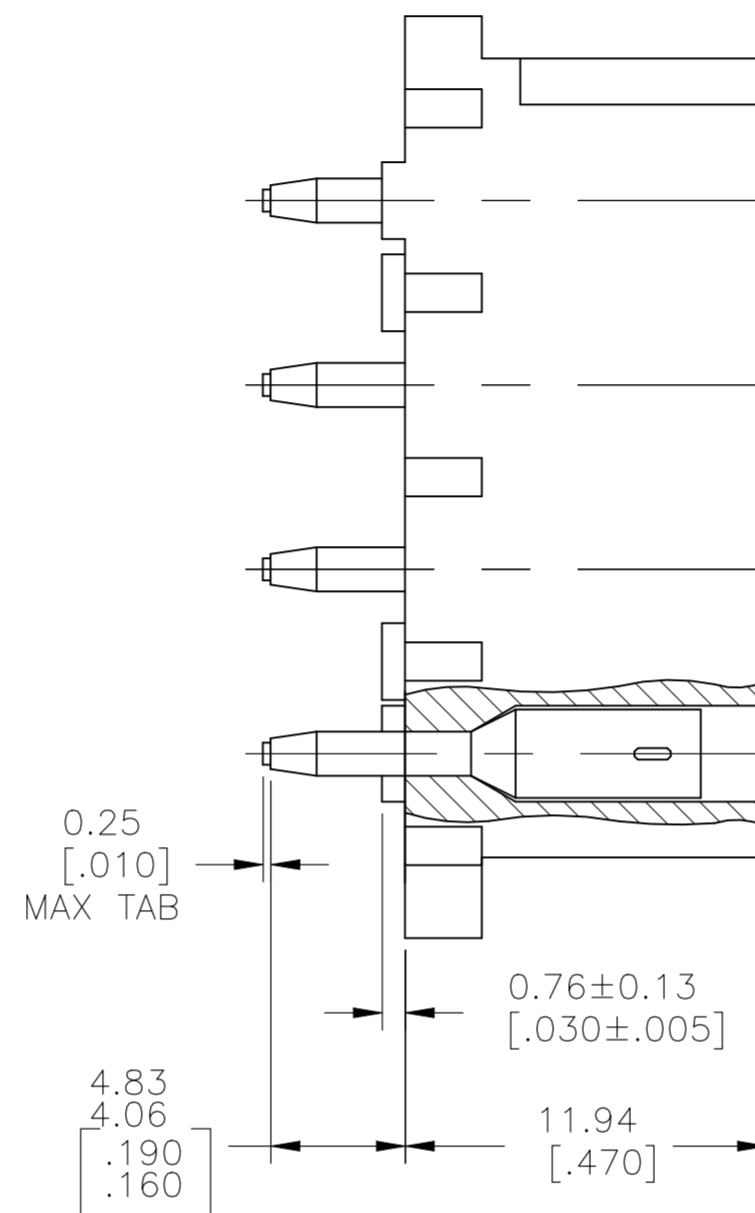
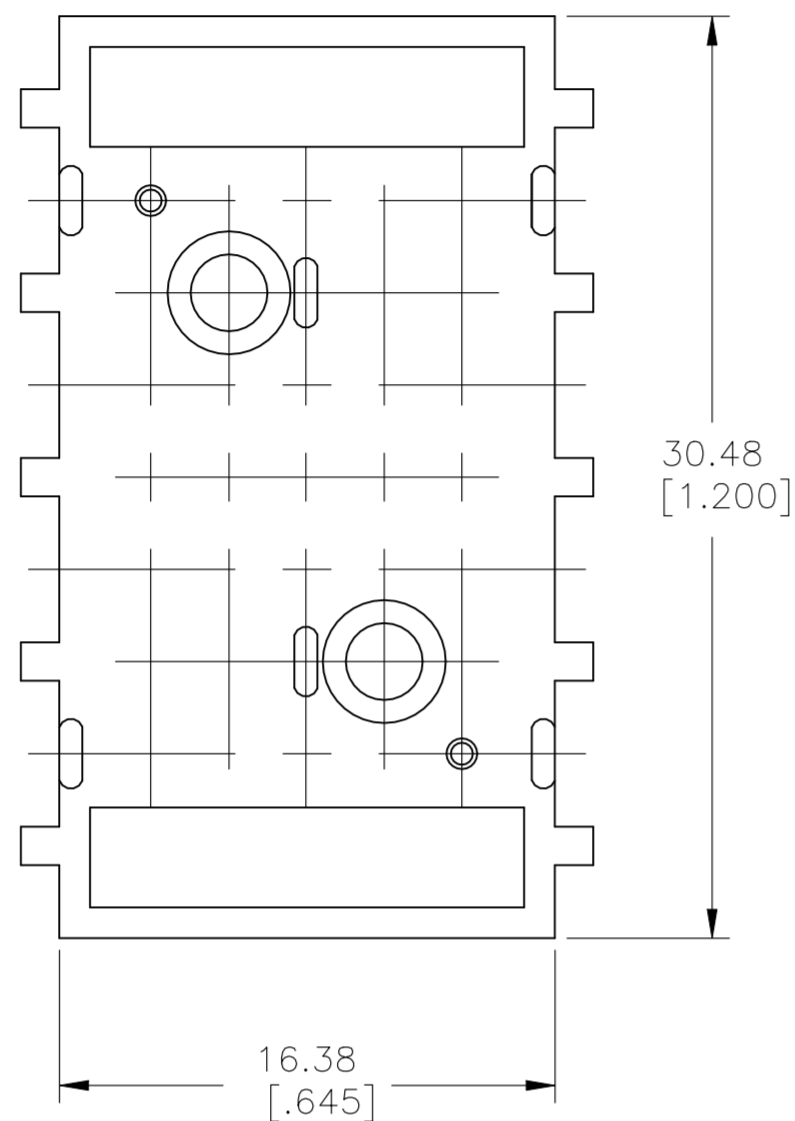
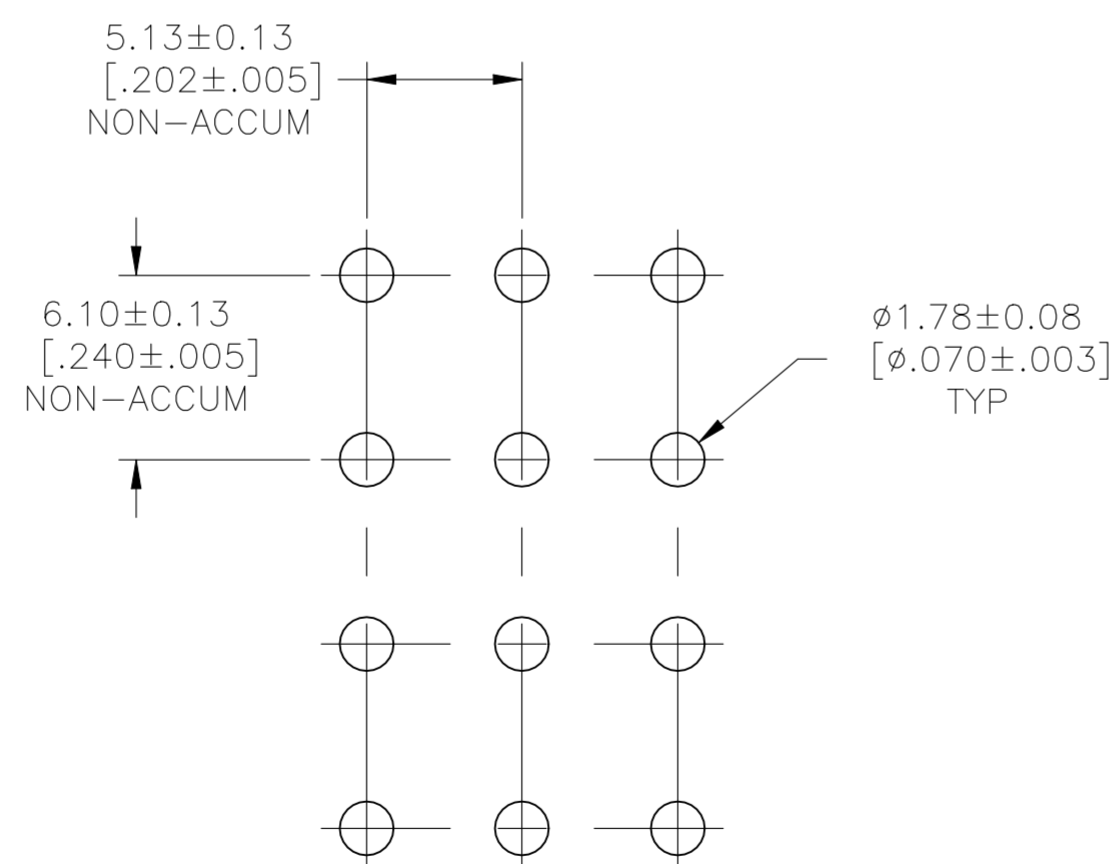


THIS DRAWING IS UNPUBLISHED. RELEASED FOR PUBLICATION
 © COPYRIGHT BY TYCO ELECTRONICS CORPORATION. ALL INTERNATIONAL RIGHTS RESERVED.

| LOC | | DIST | | REVISIONS | | | |
|-----|-----|-------------|---------------------------|-----------|-----------|------|----|
| P | LTR | DESCRIPTION | | DATE | DWN | APVD | |
| CM | 53 | H1 | REVISED PER ECR-21-117185 | | 22OCT2021 | PJ | VS |



- MATES WITH HOUSING 480278
- PARTS COMPLY WITH AMP SOLDERABILITY SPEC #109-11-3
- DIMENSION SHOWN REPRESENT PRODUCT IN DRY CONDITION. ADDITIONAL 2% GROWTH DUE TO END USE LOCATION MOISTURE ABSORPTION MAY OCCUR AND SHOULD BE ACCOUNTED FOR.



RECOMMENDED LAYOUT FOR
 1.57 [.062] THICK P.C. BOARD

| | | |
|-------------------|------------------|-------------|
| PHOS BRZ-PRE TIN | NYLON-BLACK | 9-350643-1 |
| PHOS BRZ-PRE TIN | NYLON-NATURAL | 350643-1 |
| PIN MATL & FINISH | HSG MATL & COLOR | ASSEMBLY NO |

| | | | | |
|---|---------------------|----------------------------------|---|--------------------|
| THIS DRAWING IS A CONTROLLED DOCUMENT. | | DWN 10AUG2009 RAGHAVENDRA | Tyco Electronics Corporation Harrisburg, PA 17105-3608 | |
| DIMENSIONS: mm [INCHES] | | CHK 10AUG2009 SARVER MICHAEL | NAME 12 CIRCUIT MATE-N-LOK P.C BOARD SOCKET HEADER | |
| TOLERANCES UNLESS OTHERWISE SPECIFIED: 0 PLC ± - 1 PLC ± - 2 PLC ± - 3 PLC ± 0.38 [.015] 4 PLC ± - ANGLES ± 1° 0' | | APVD 10AUG2009 SARVER MICHAEL | PRODUCT SPEC | APPLICATION SPEC |
| MATERIAL SEE TABLE | FINISH SEE TABLE | WEIGHT - | SIZE A2 | CAGE CODE 00779 |
| CUSTOMER DRAWING | | SCALE 4:1 | DRAWING NO C=350643 | RESTRICTED TO - |
| | | SHEET 1 OF 1 | REV H1 | |

单击下面可查看定价，库存，交付和生命周期等信息

[>>TE Connectivity\(泰科\)](#)