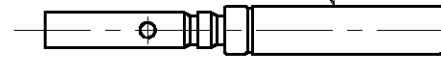


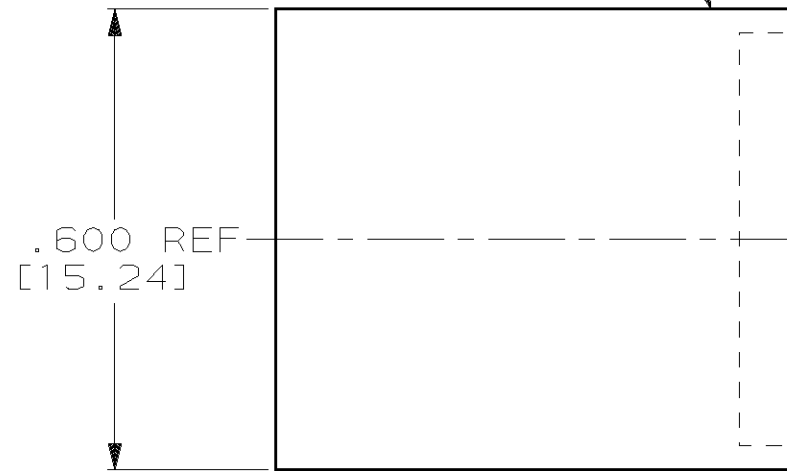
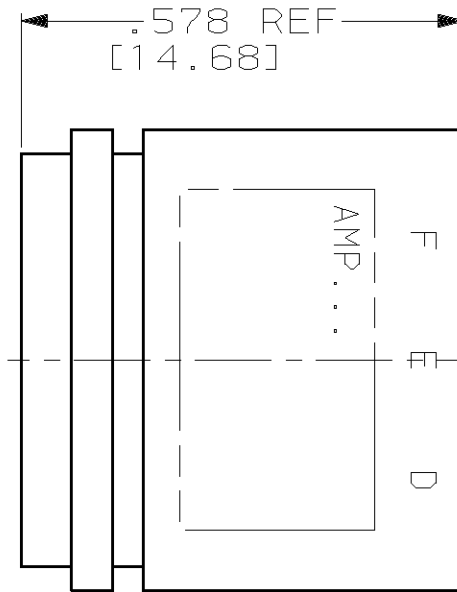
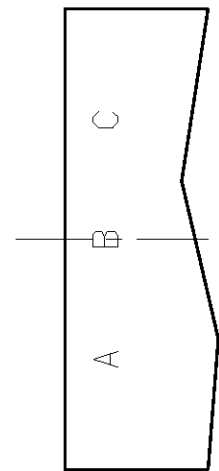
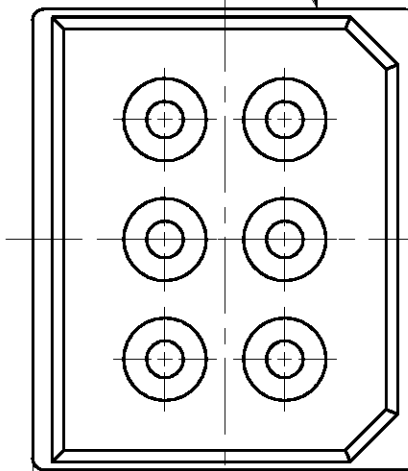
THIS DRAWING IS UNPUBLISHED. RELEASED FOR PUBLICATION, 19
 © COPYRIGHT 19 BY AMP INCORPORATED. ALL INTERNATIONAL RIGHTS RESERVED.

LOC	DIST	P	F	ZONE	LTR	DESCRIPTION	DATE	APPD
DF	SO				B	PER EC 0G3D-0441-01 DBK	04/02	DE

SOCKET (QTY=6)
-1 ONLY



RECEPTACLE HOUSING



.600 REF
[15.24]

.625 REF
[15.88]

.500 REF
[12.70]

.500 REF
[12.70]

2	867483-2
-	867483-1
REMARKS	PART NO.

- SEE 862091-1 FOR ASSEMBLY INSTRUCTIONS.
- 867483-2 DOES NOT INCLUDE SOCKET CONTACTS OR ASSEMBLY INSTRUCTIONS.
- MARKED PER MIL-STD-130.

THIS DRAWING IS A CONTROLLED DOCUMENT FOR AMP INCORPORATED. IT IS SUBJECT TO CHANGE AND THE CONTROLLING ENGINEERING ORGANIZATION SHOULD BE CONTACTED FOR THE LATEST REVISION.

DO NOT SCALE PRINT. UNLESS SPECIFIED DIMENSIONS IN INCHES [mm]	DR 5-18-93 C.C.THOMAS
TOLERANCES ON:	CHK 5-18-93 D.EABY
2 PLC DEC ± -	APPD 5-18-93 D.EABY
3 PLC DEC ± -	APPD 5-18-93 C.C.THOMAS
ANGLES ± -	PRODUCT SPEC
MATERIAL -	-
FINISH -	APPLICATION SPEC
	WEIGHT -

AMP AMP Incorporated
Harrisburg, PA 17105-3608

NAME
RCPT KIT, 6 POSN SUBMINIATURE, LGH

SIZE	CAGE CODE	DRAWING NO
B	00779	C=867483
SCALE	SHEET	
4:1	1 OF 1	

单击下面可查看定价，库存，交付和生命周期等信息

[>>TE Connectivity\(泰科\)](#)