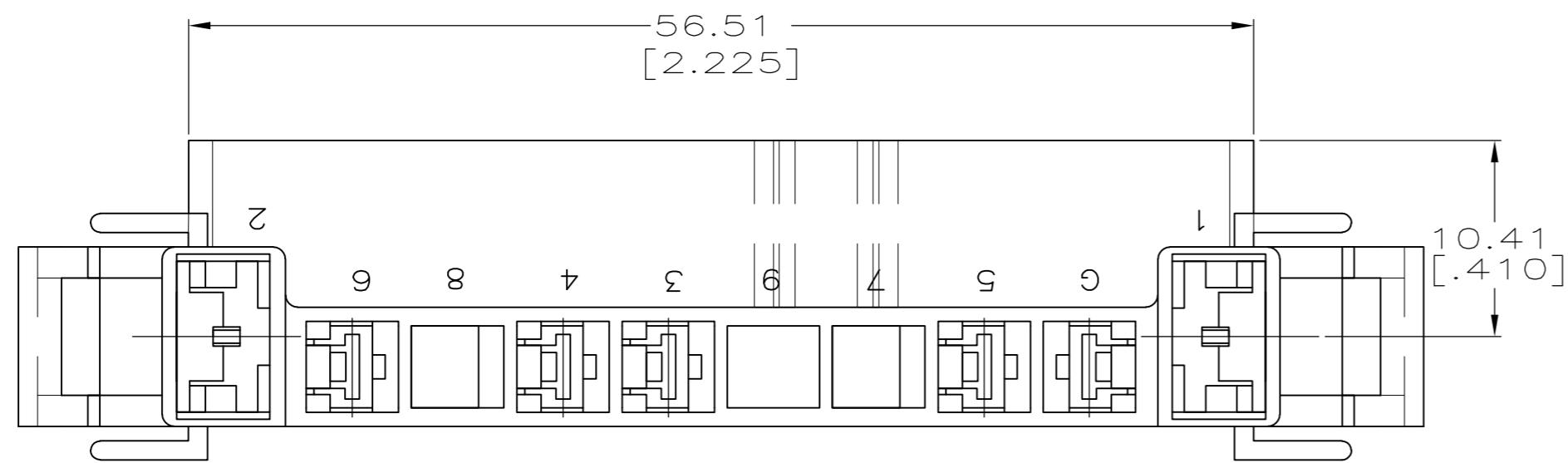
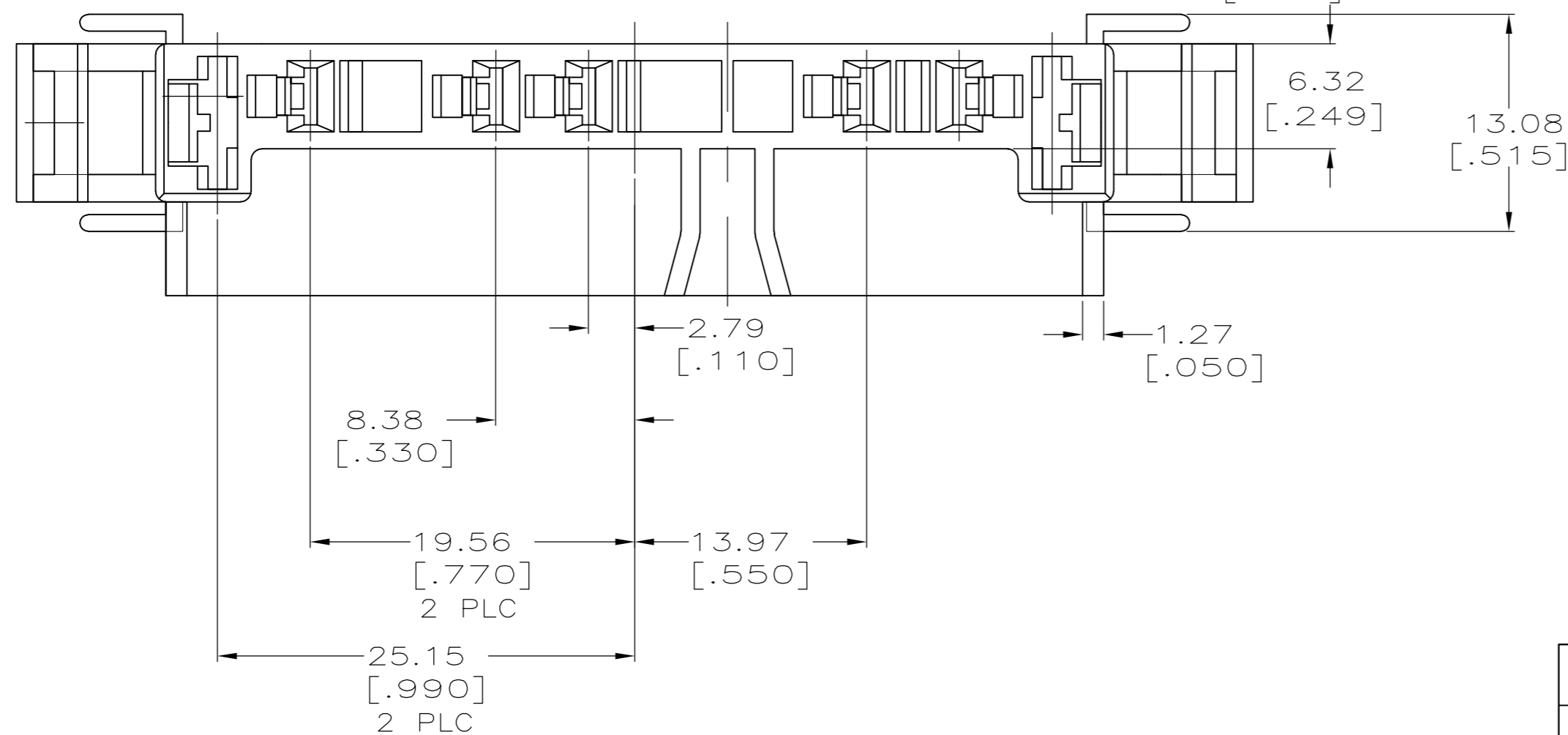
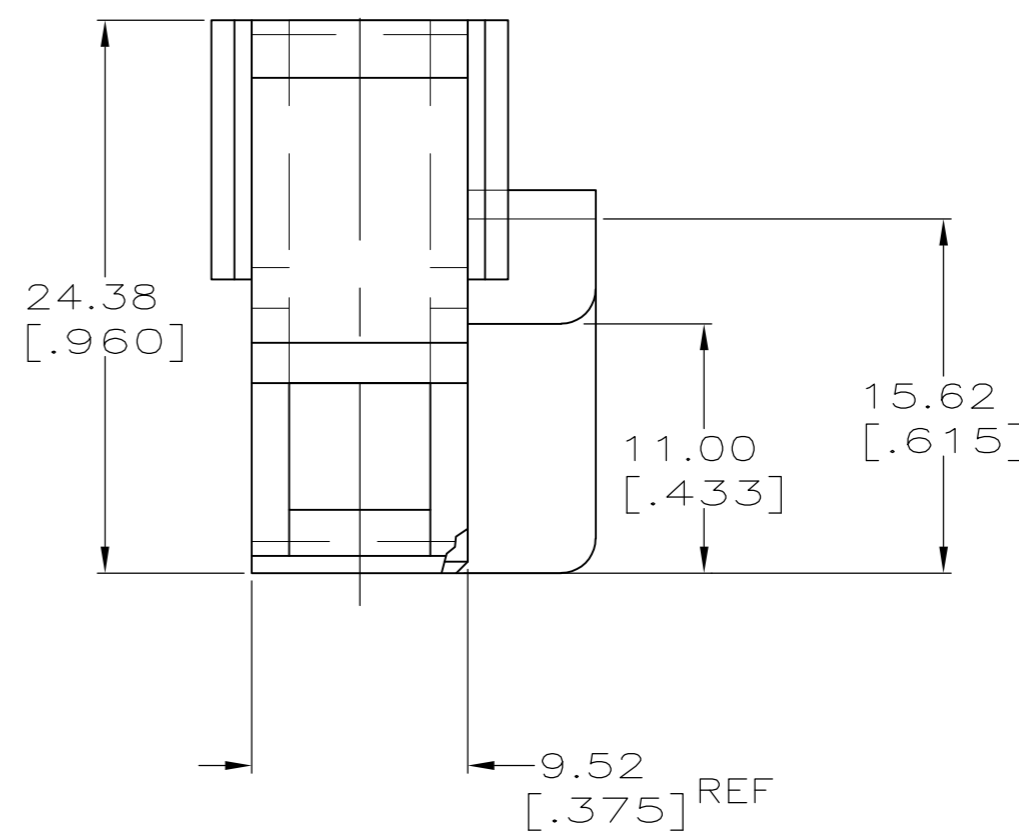
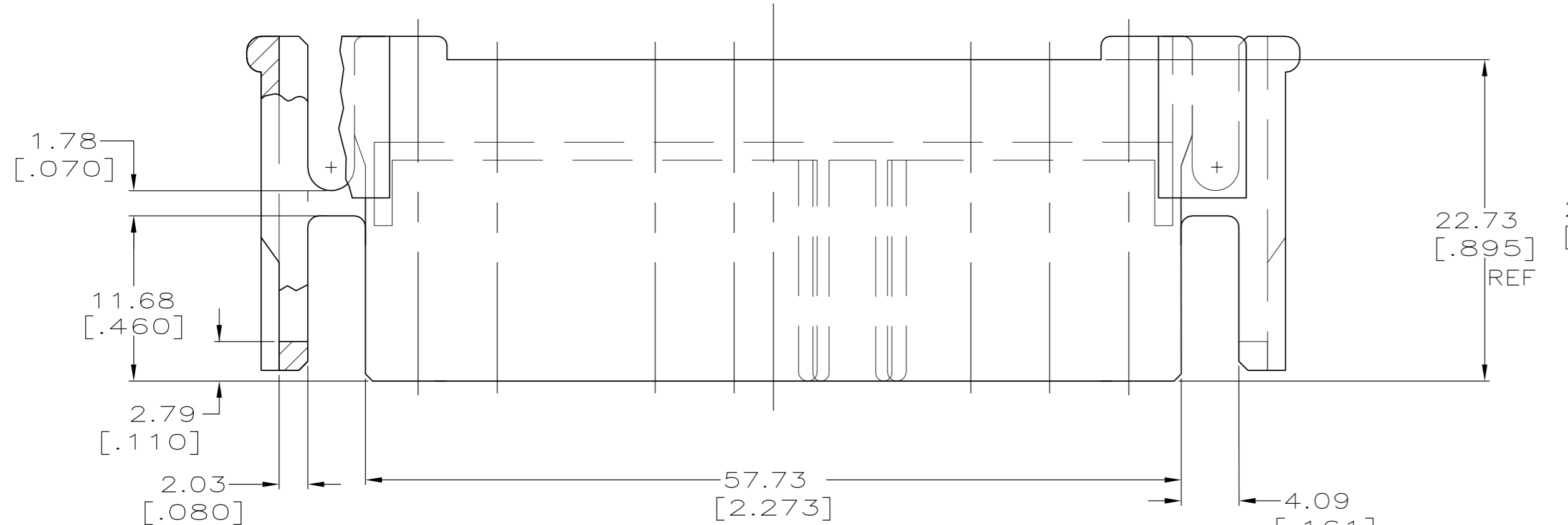


THIS DRAWING IS UNPUBLISHED. RELEASED FOR PUBLICATION
 © COPYRIGHT - By - ALL RIGHTS RESERVED.

LOC		DIST		REVISIONS			
P	LTR	DESCRIPTION		DATE	DWN	APVD	
AF	50	G	REV PER ECO	13-003247	15APR13	JR	GJ



- 1 POSITIONS 3 THRU 6 AND G ACCEPT 3.18 [.125] RECEPTACLE P/N 770642-1.
- 2 POSITIONS 1 AND 2 ACCEPT 6.35 [.250] SERIES L.I.F. FASTON RECEPTACLES P/N 63306-(), 63537-(), OR 63365-(). ALSO ACCEPTS FASTON P/N 280001-9.



521085-1
 PART NUMBER

THIS DRAWING IS A CONTROLLED DOCUMENT.		DWN M.S. FEHER 08DEC2005	TE TE Connectivity	
DIMENSIONS: MM [INCHES]		CHK D.F. DECKER 08DEC2005		
TOLERANCES UNLESS OTHERWISE SPECIFIED:		APVD D.F. DECKER 08DEC2005	NAME MOTOR HOUSING, DRYER, GEN II, 7 CIRCUIT	
0 PLC ± -		PRODUCT SPEC	SIZE A2	
1 PLC ± -		APPLICATION SPEC	CAGE CODE 00779	
2 PLC ± 0.25 [.010]		WEIGHT	DRAWING NO 521085	
3 PLC ± -		FINISH	RESTRICTED TO	
4 PLC ± -		COLOR-NATURAL	SCALE 3:1	
ANGLES ± -		CUSTOMER DRAWING	SHEET 1 of 1	
MATERIAL NYLON, TYPE 6/6		REV G		

单击下面可查看定价，库存，交付和生命周期等信息

[>>TE Connectivity\(泰科\)](#)