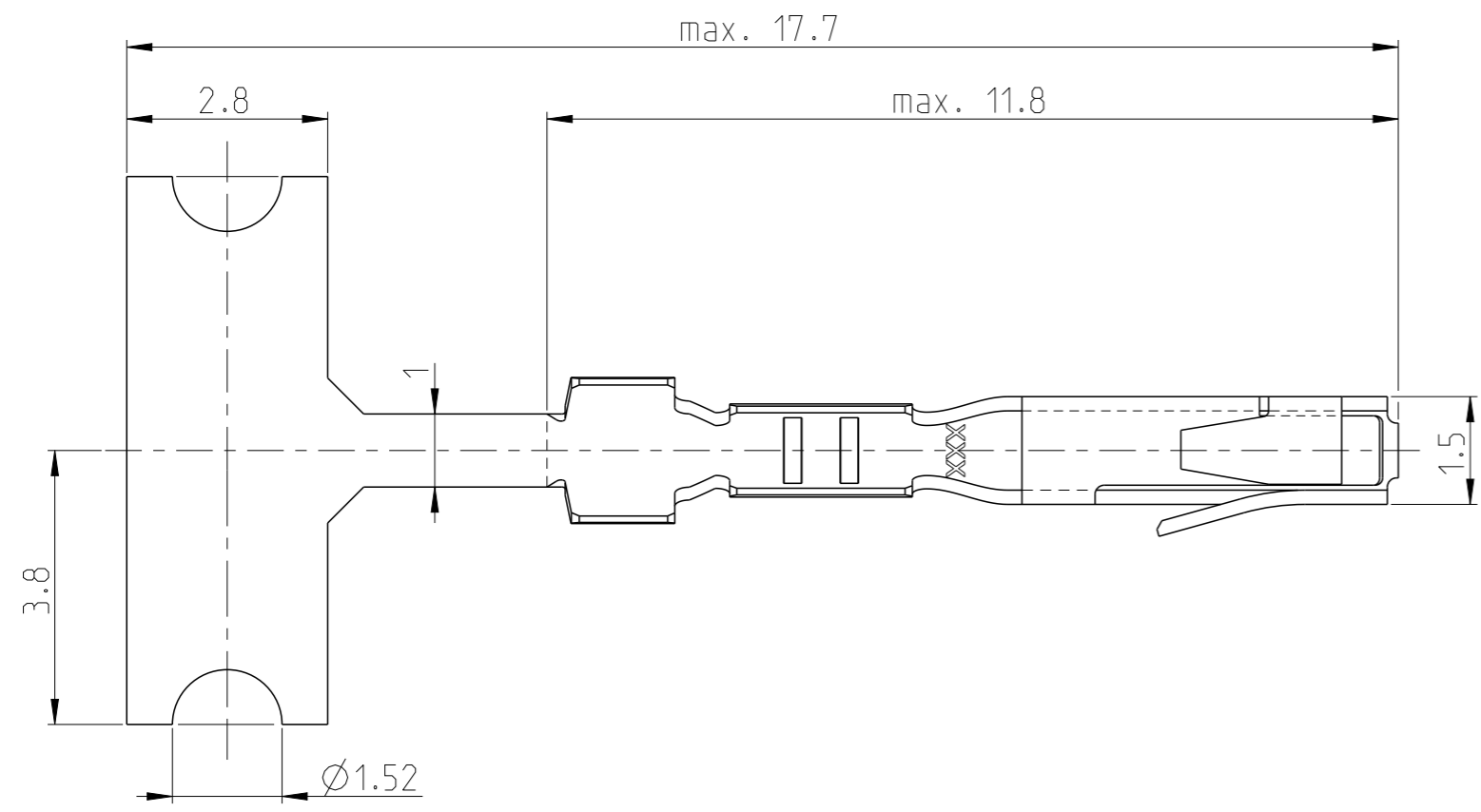


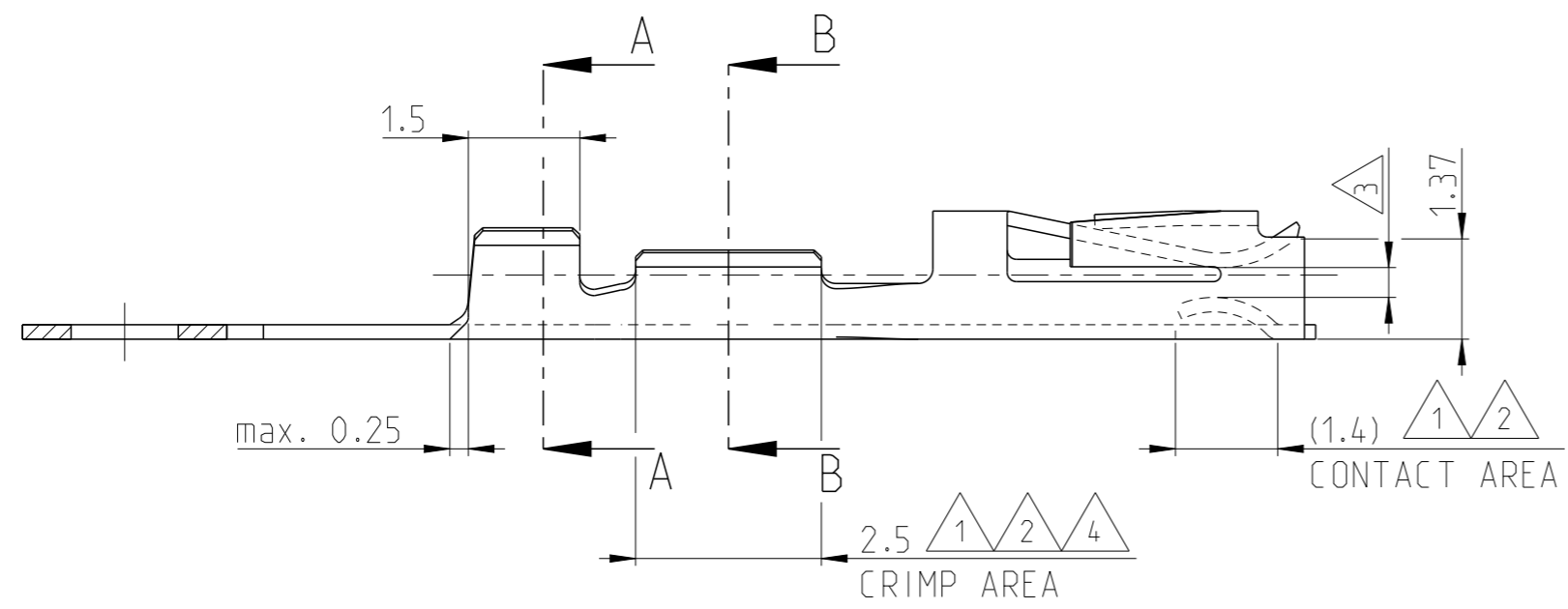
THIS DRAWING IS UNPUBLISHED. RELEASED FOR PUBLICATION 20
 © COPYRIGHT - BY - ALL RIGHTS RESERVED.

REVISIONS					
P	LTR	DESCRIPTION	DATE	DWN	APVD
	E	EH-0760-96	28JUNE1996	J.G.	R.v.L.
	E1	ECO-09-021510	15SEP2009	KK	AEG
	E2	NEW DRAWING CREATED IN CREO	26JUNE2014	JB JH	BRUN



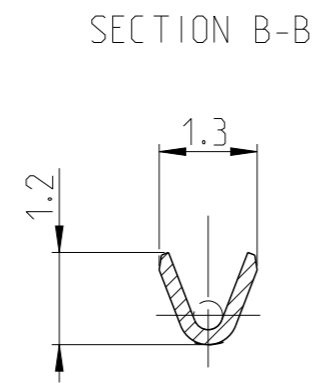
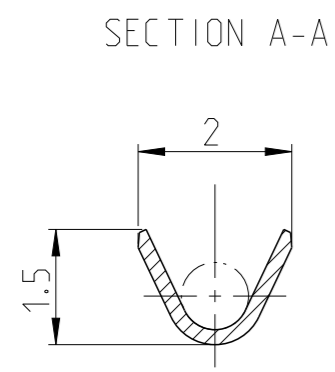
NOTES:

- 1 UNDERCOATING: 0.8 µm NICKEL OVERALL.
CONTACT AREA: 0.8 µm GOLD.
CRIMP AREA: GOLDFLASH
- 2 UNDERCOATING: 0.8 µm NICKEL OVERALL.
CONTACT AREA: 1.25 µm GOLD.
CRIMP AREA: GOLDFLASH
- 3 SUITABLE FOR 0.64x0.64 POST.
- 4 UNDERCOATING: 0.8 µm NICKEL OVERALL.
CONTACT AREA: 0.4 µm GOLD.
CRIMP AREA: GOLDFLASH.
- 5 ADVANCED PROD. NRS. FOR DIN 41612 PART 5 SPEC.
- 6 OBSOLETE PARTS: OBSOLETE CIS STREAMLINING PER D.RENAUD/D.SINISI.



WIRE RANGE:
28-32 AWG
0.03-0.09 mm²
INSULATION RANGE:
0.5-1.02 DIA.

5 167042-4	4	PHOSPHORBRONZE	6 167041-7
6 167042-2	2		6 167041-4
167042-1	1		167041-2
LOOSE PIECE NUMBER	PLATING	MATERIAL	STRIPNUMBER



THIS DRAWING IS A CONTROLLED DOCUMENT.

DIMENSIONS:	TOLERANCES UNLESS OTHERWISE SPECIFIED:
mm	n. ISO 8015 n. ISO 2768-mH
	0 PLC ±
	1 PLC ±
	2 PLC ±
	3 PLC ±
	4 PLC ±
	ANGLES ±
MATERIAL	FINISH
-	-

DWN	J.Gibbels	22FEB1991	STE TE Connectivity		
CHK	R.v.Lokven	-			
APVD	R.Smeets	-	NAME		
PRODUCT SPEC	-		STANDARD TANDEM SPRING RECEPTACLE		
APPLICATION SPEC	-		SIZE	CAGE CODE	DRAWING NO
WEIGHT	-		A3	00779	©=167041
Customer Drawing	-		SCALE	SHEET	REV
	-		10:1	1 OF 1	E2

单击下面可查看定价，库存，交付和生命周期等信息

[>>TE Connectivity\(泰科\)](#)