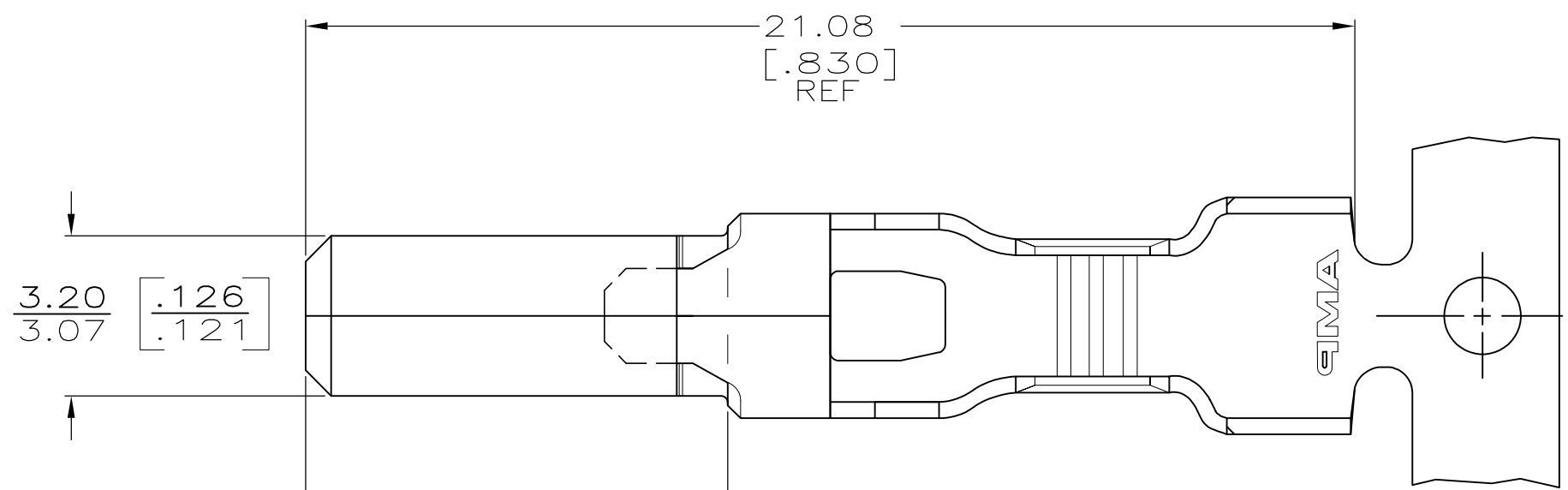
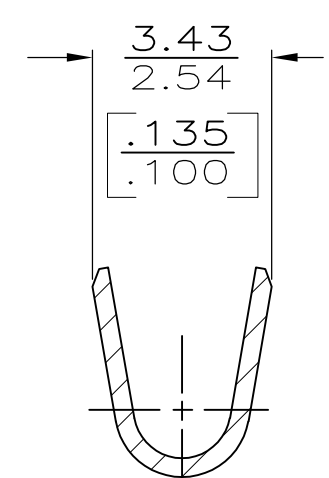
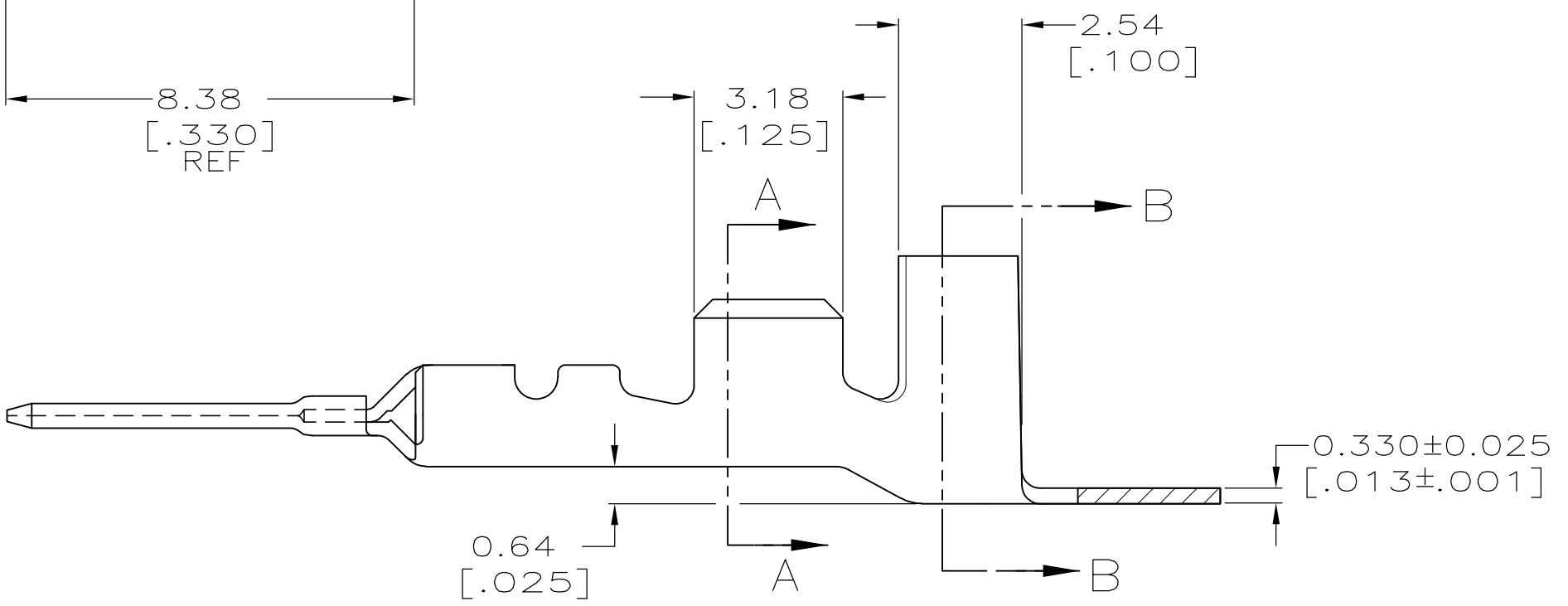
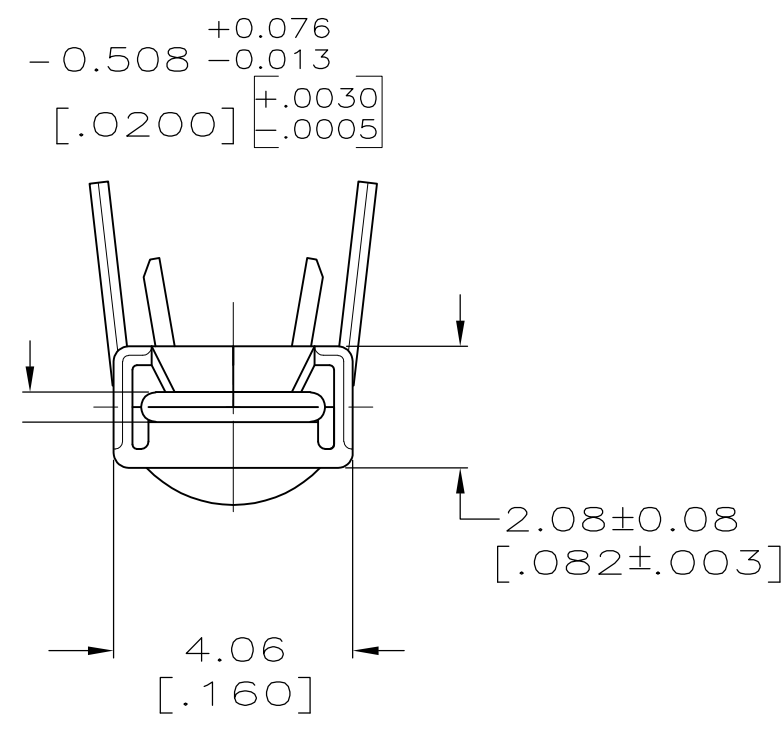


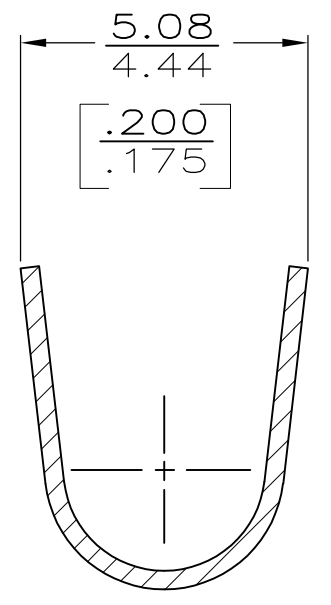
LOC	DIST	P	F	ZONE	LTR	DESCRIPTION	DATE	APPD
AF	50					C1 REVISED PER 0710-0055-96	12/FEB/96	PF/DD
						C1 REVISED PER ECR-14-012593	22/AUG/14	T.D/L.P



- 1 CONTINUOUS STRIP ON REELS.  
 2 (1) 0.8mm - [18] AWG - 2.84 [.112] INS DIA AND  
 (1) 1.3mm - [16] AWG - 3.12 [.123] INSUL DIA.



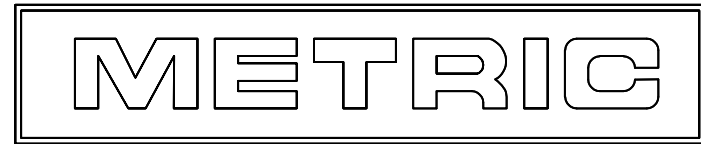
SECTION A-A



SECTION B-B

OBSOLETE	△	0.5 - 2.0mm <sup>2</sup> [20-14] AWG	63627-1
REMARK	INSULATION RANGE	WIRE RANGE	PART NO

DO NOT SCALE PRINT. UNLESS SPECIFIED DIMENSIONS IN mm [INCHES] TOLERANCES ON : 2 PLC DEC ± 0.25 [.010] 3 PLC DEC ± - ANGLES ± - MATERIAL 4M BRASS FINISH 0.002032 [.000080] MIN TIN PLATE PER MIL-T-10727	DR 3/25/92 P FORTNEY	AMP Incorporated Harrisburg, PA 17105-3608 NAME CONTACT, 3.18 [.125] BLADE		
	CHK 3/25/92 JR RUTH			
	APPD 3/25/92 R WEAVILL	PRODUCT SPEC		
	APPLICATION SPEC 114-49003	SIZE C	CAGE CODE 00779	DRAWING NO 63627
	WEIGHT -	SCALE 8:1		REV C1
			SHEET 10F 1	



单击下面可查看定价，库存，交付和生命周期等信息

[>>TE Connectivity\(泰科\)](#)