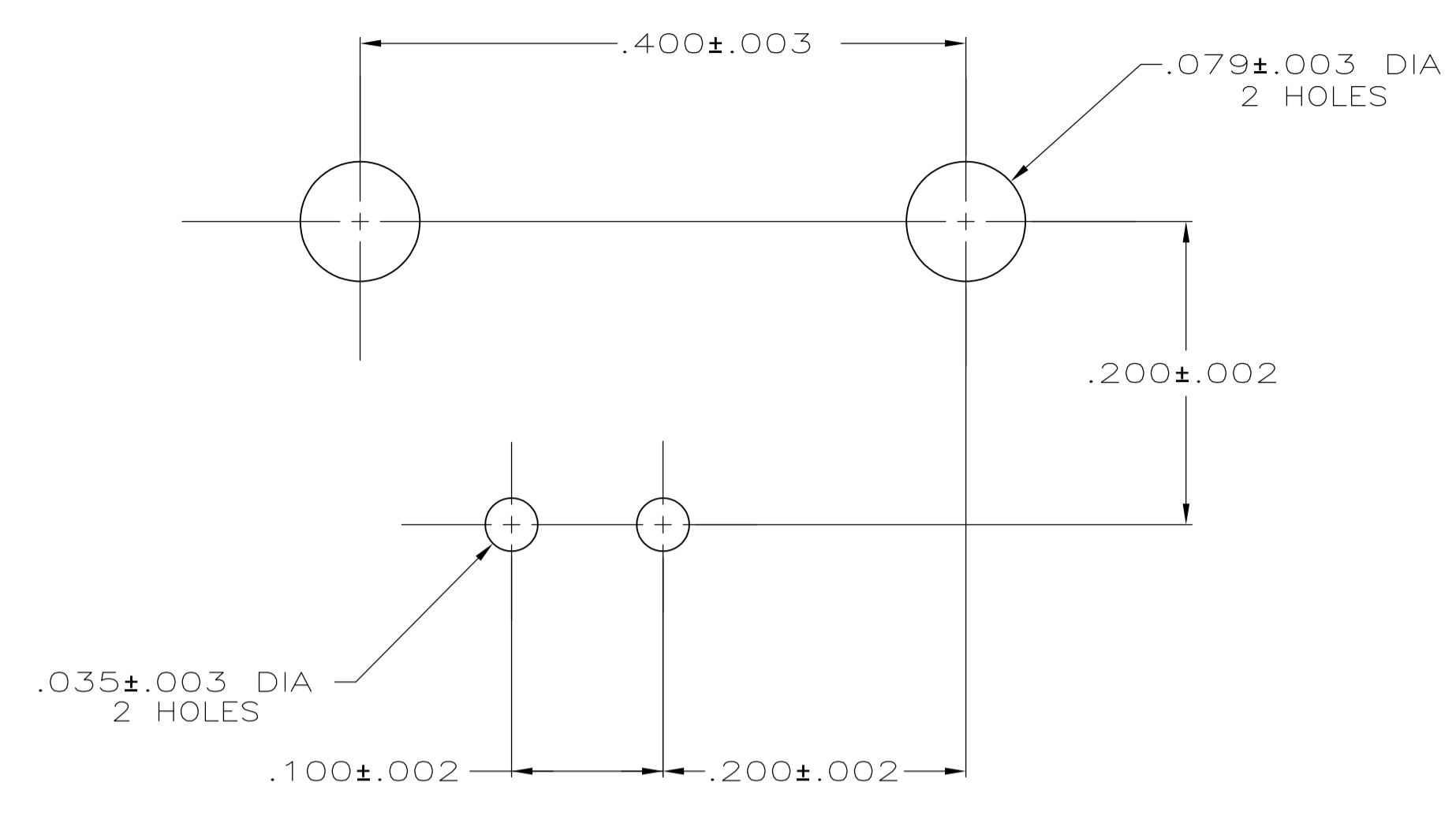
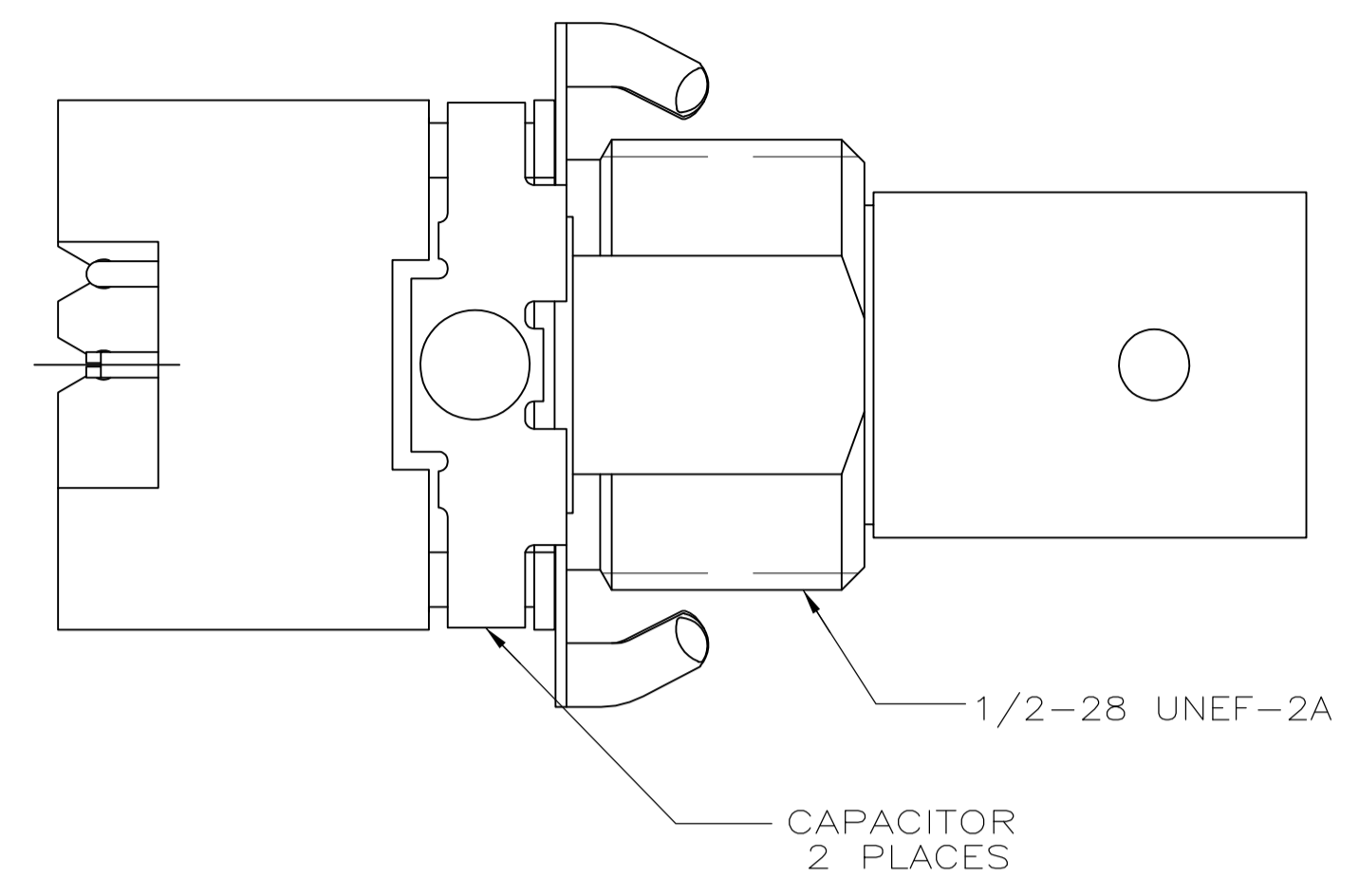


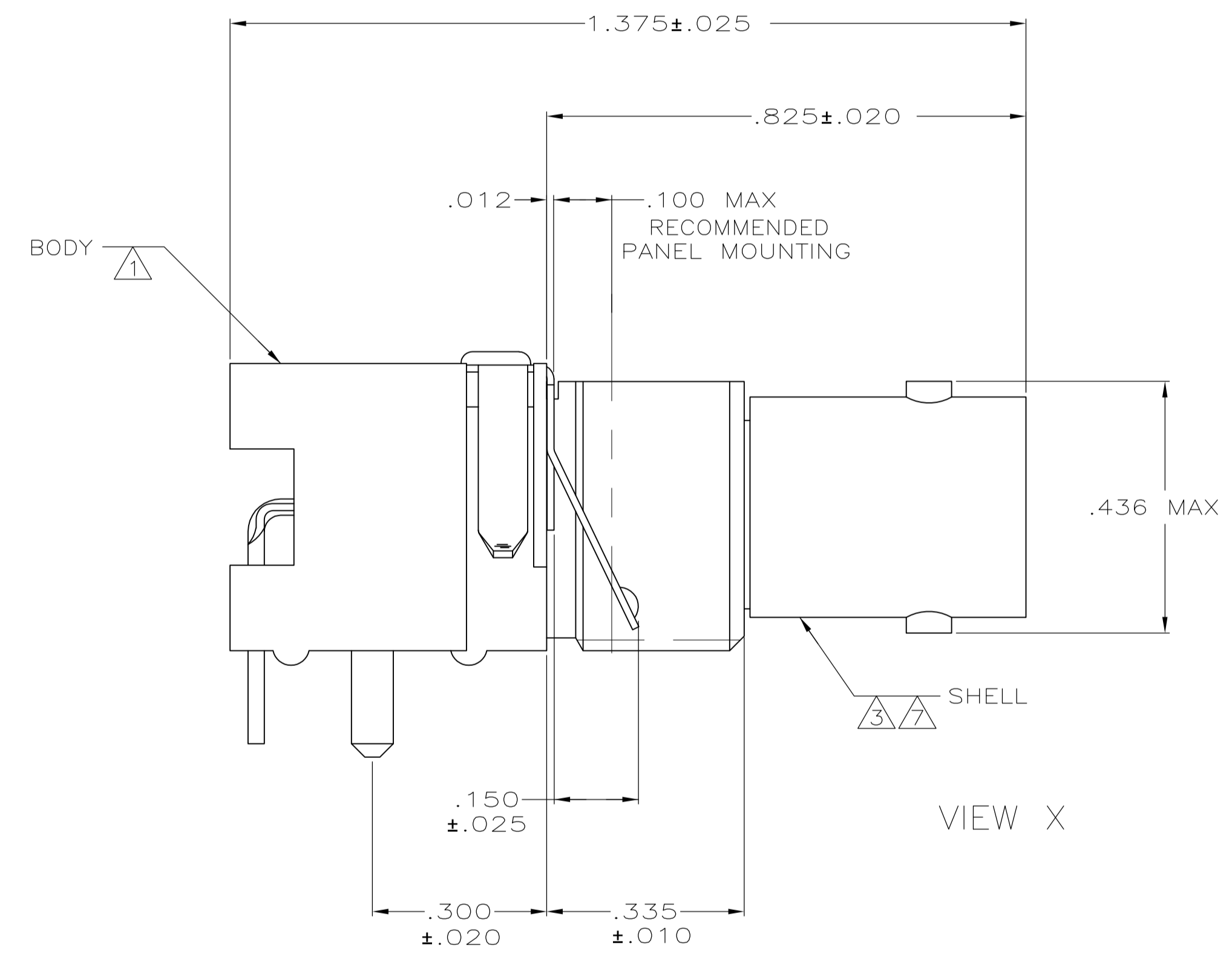
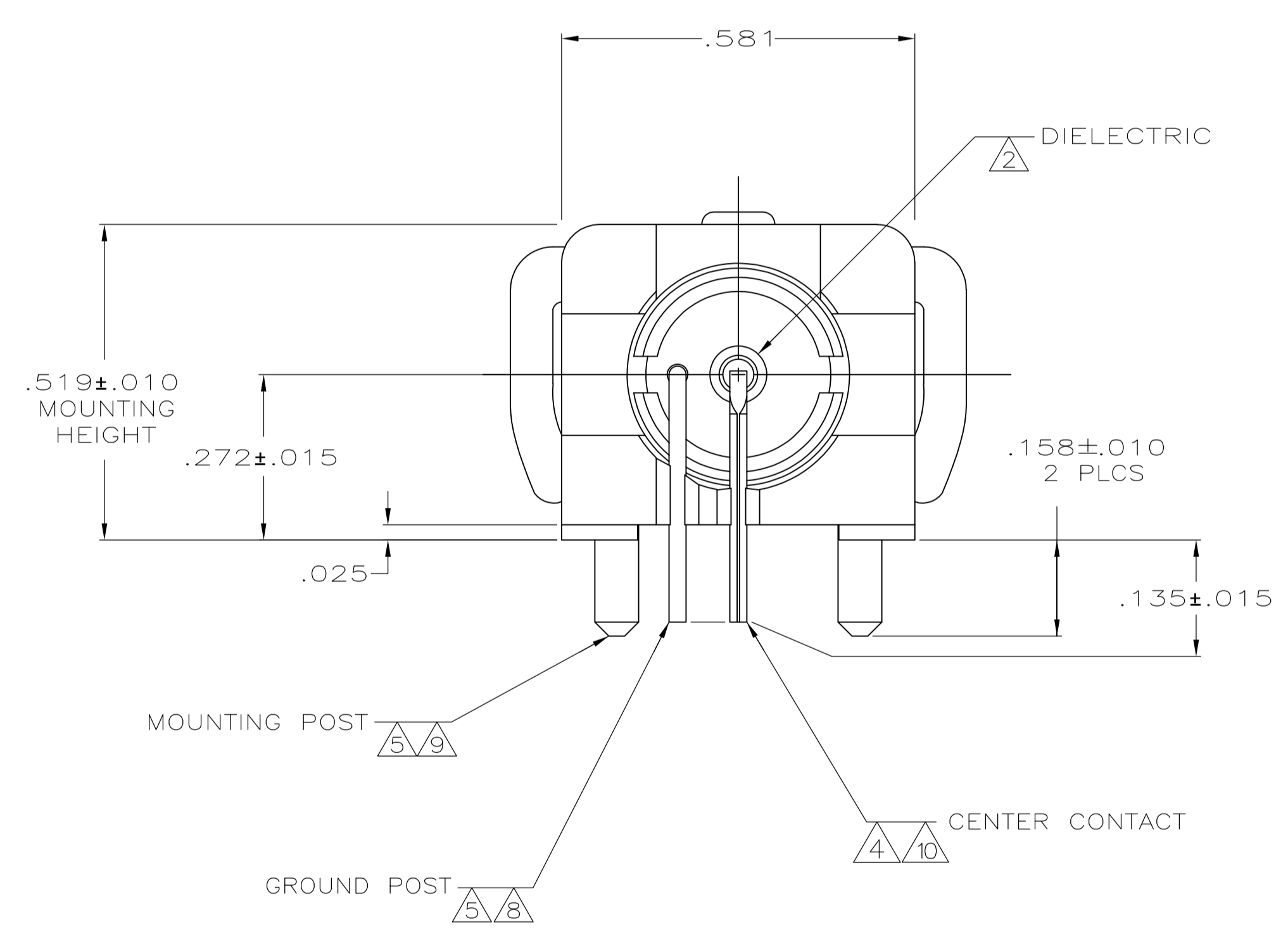
REVISONS		DATE	BY	APP'D
AB	REVISED PER ECO-08-009474	7/21/2008	DW	JL
AB1	REVISED PER ECO-09-021826	12SEP09	KK	AEG



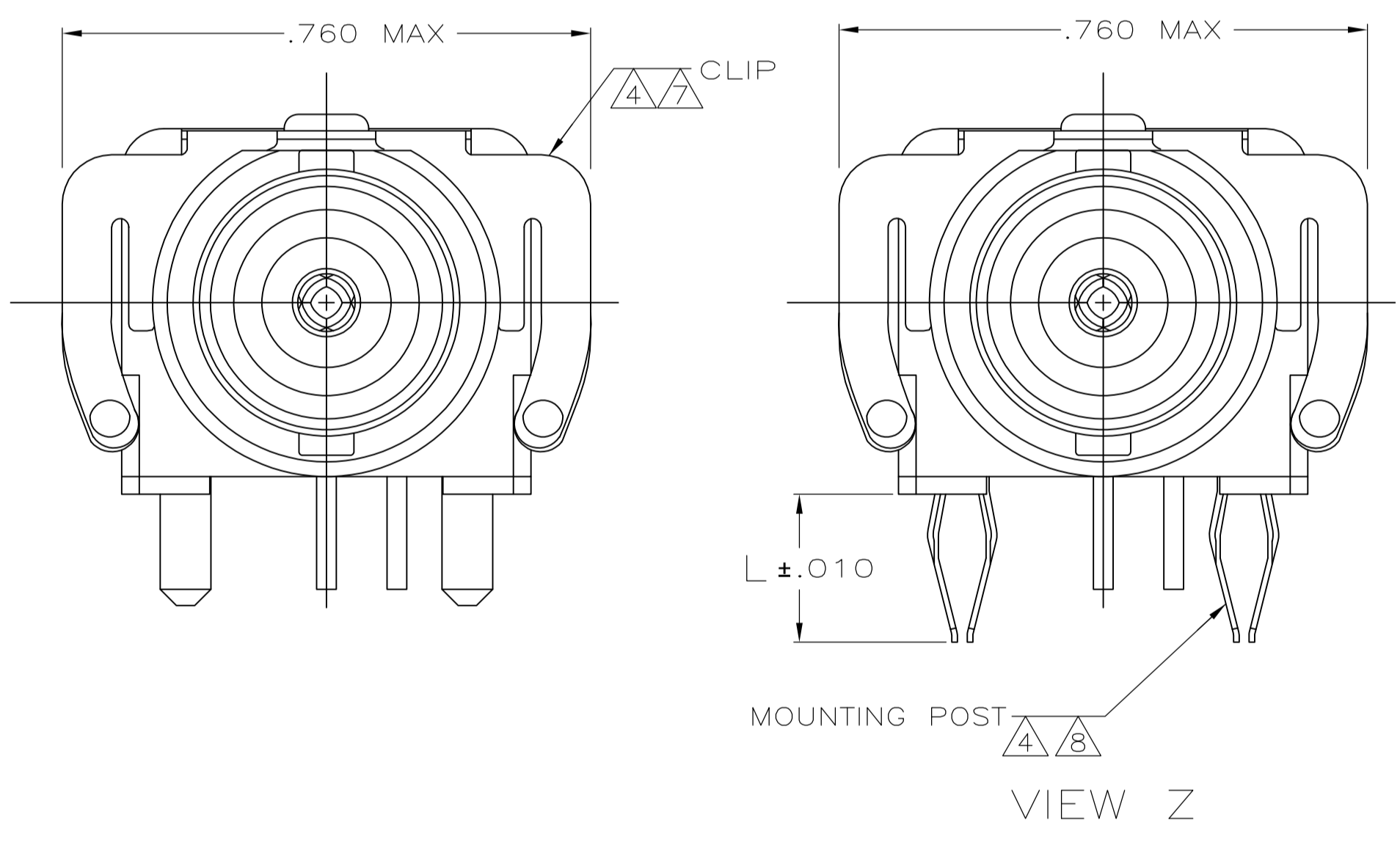
P.C.B. CONFIGURATION
SCALE=10:1



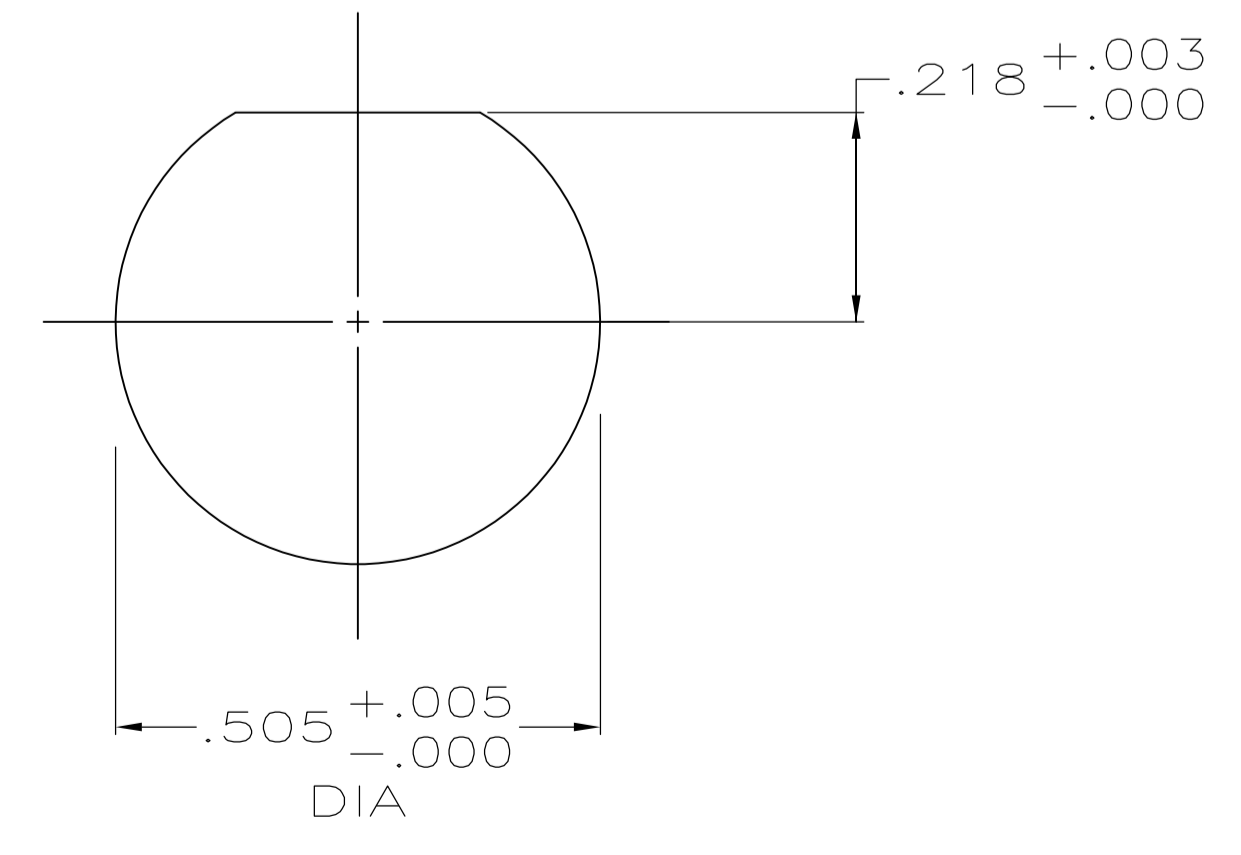
- 1 POLYESTER, PBT, BLACK, PER MIL-M-24519.
- 2 POLYMETHYLPENTENE GENERAL PURPOSE.
- 3 ZINC PER QQ-Z-363.
- 4 PHOSPHOR BRONZE PER QQ-B-750.
- 5 BRASS PER QQ-B-626.
- 6 BRASS PER ASTM-B-453.
- 7 NICKEL PL PER QQ-N-290.
- 8 TIN PLATE PER ASTM-B-545.
- 9 TIN PLATE PER ASTM-B-545.
- 10 SELECTIVELY GOLD PLATED ON INTERFACE AREA PER MIL-G-45204, .000030 THK, TIN PLATED ON SOLDER TAIL PER ASTM-B-545, ALL OVER NICKEL PL PER QQ-N-290.
- 11 OBSOLETE PARTS: OBSOLETE CIS STREAMLINING PER D.RENAUD/D.SINISI



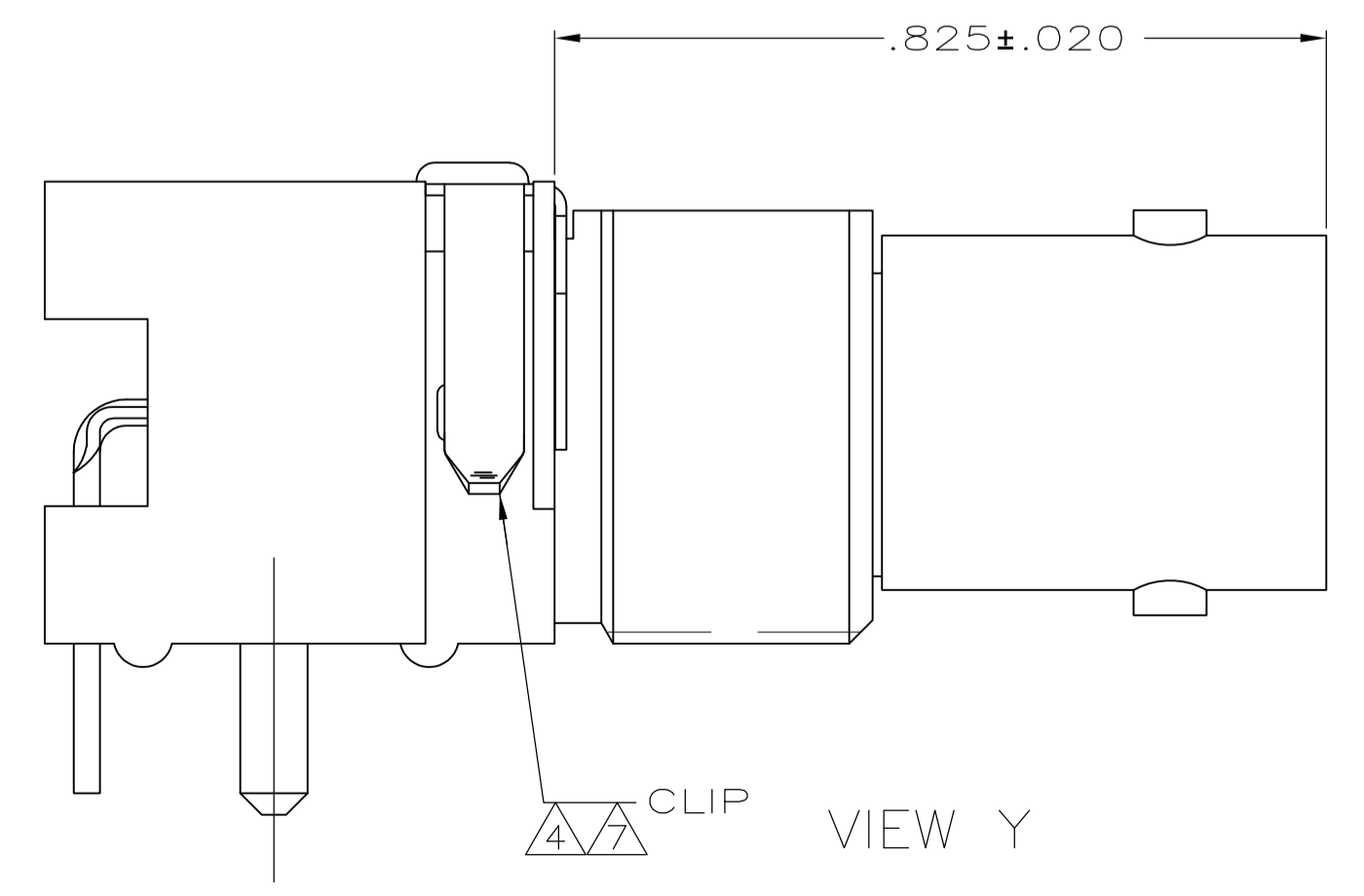
VIEW X



VIEW Z



RECOMMENDED PANEL CUTOUT



VIEW Y

REVISION	DESCRIPTION	DATE	BY	APP'D	PART NO	
OBSOLETE	VIEW X	VIEW X			1000 pf, 2200 VDC	1-413515-1
SUPERSEDED BY 413515-2	VIEW X OR Y	VIEW X			9400 pf, 1500 VDC	1-413515-0
	VIEW Z	VIEW X			9400 pf, 1500 VDC	413515-9
SUPERCEDED BY 5413515-8	VIEW Z	VIEW X			9400 pf, 1500 VDC	413515-8
	VIEW Z	VIEW X			7900 pf, 1600 VDC	413515-7
SUPERSEDED BY 413515-7	VIEW Z	VIEW X			7900 pf, 1600 VDC	413515-6
SUPERSEDED BY 413515-2	VIEW X OR Y	VIEW Y			9400 pf, 1500 VDC	413515-5
SUPERSEDED BY 413515-2	VIEW X OR Y	VIEW Y			9400 pf, 500 VDC	413515-4
OBSOLETE	VIEW X OR Y	VIEW X			20000 pf, 500 VDC	413515-3
	VIEW X OR Y	VIEW X			9400 pf, 1500 VDC	413515-2
SUPERSEDED BY 413515-2	VIEW X OR Y	VIEW X			9400 pf, 500 VDC	413515-1
L	MOUNTING POST	CLIP	CAPACITANCE & VOLTAGE		PART NO	

THIS DRAWING IS A CONTROLLED DOCUMENT.

DIMENSIONS: INCHES	TOLERANCES UNLESS OTHERWISE SPECIFIED:	APPROVED: R. RUTH 5/18/90	NAME: BIRD	DATE: 5/18/90	PRODUCT SPEC: 108-1269
0 PLC ± -	1 PLC ± -	2 PLC ± -	3 PLC ± .008	4 PLC ± -	ANGLES ± -
MATERIAL: THRU	FINISH: 7, 8, 9, 10	SIZE: A1	CAGE CODE: 00779	DRAWING NO: 413515	RESTRICTED TO: -
CUSTOMER DRAWING			SCALE: 4:1	SHEET: 1 OF 1	REV: AB1

Tyco Electronics Corporation
Middletown, PA 17057
JACK, DECOUPLER, RIGHT ANGLE, LOW PROFILE, SERIES BNC

单击下面可查看定价，库存，交付和生命周期等信息

[>>TE Connectivity\(泰科\)](#)