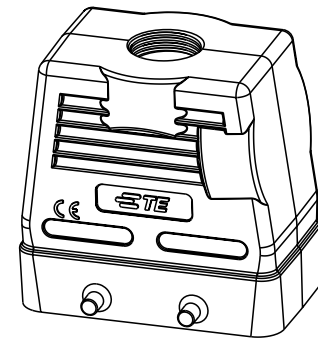
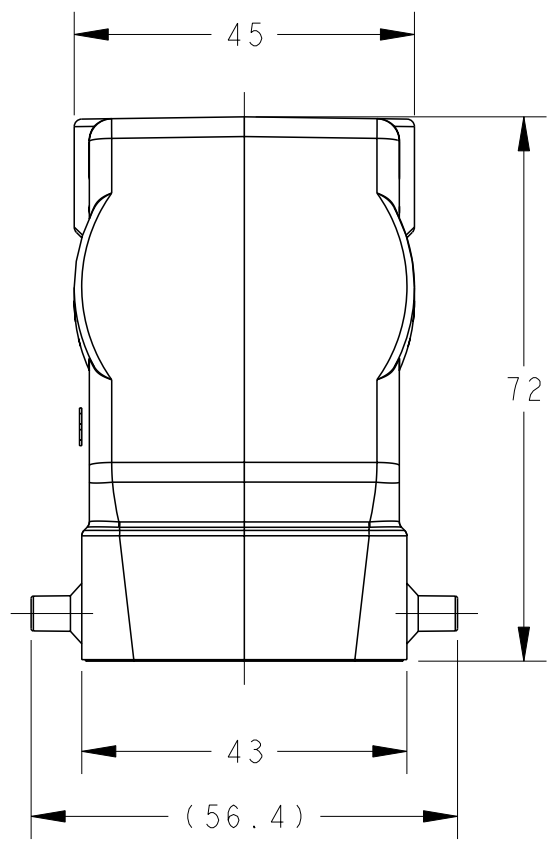
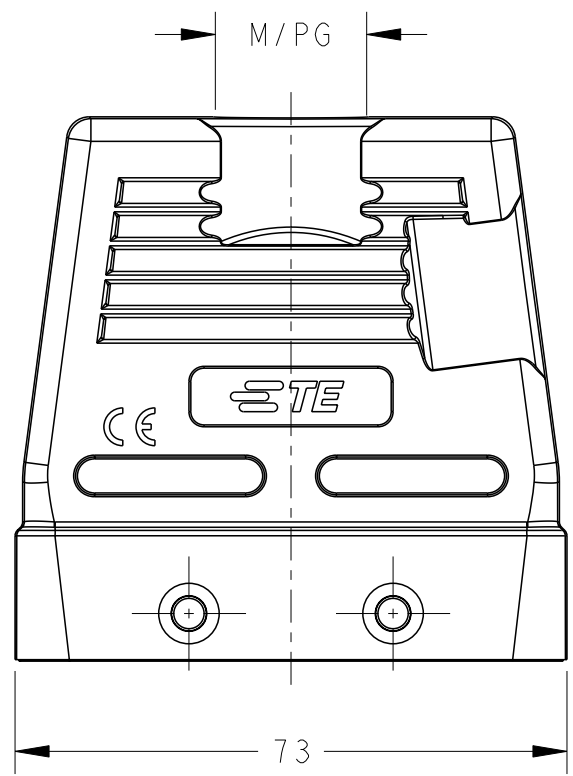


THIS DRAWING IS UNPUBLISHED. RELEASED FOR PUBLICATION 20  
 © COPYRIGHT 20 BY - ALL RIGHTS RESERVED.

REVISIONS					
P	LTR	DESCRIPTION	DATE	DWN	APVD
	A	INITIAL	11JUN2015	DW	CW
	B	ECR-20-008181	28JUN2020	WQR	CW
	B1	ECR-21-103925	01JUN2021	WQR	CW

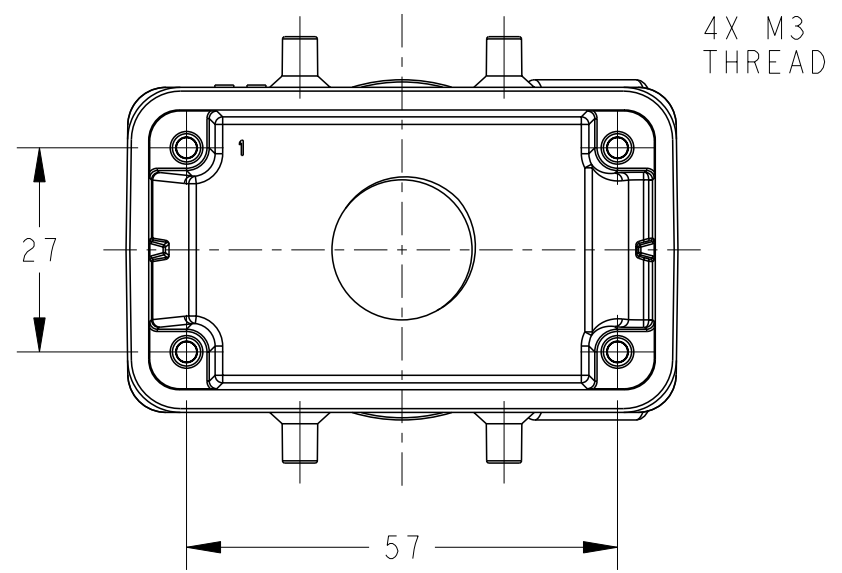


SCALE 1:2



NOTES:  
 1. TECHNICAL CHARACTERISTICS:  
 HOOD MATERIAL: DIE CAST ALUMINIUM ALLOY  
 SURFACE: POWDER COATED, GREY  
 DEGREE OF PROTECTION: IP65 (MATED)

注释:  
 1. 技术参数:  
 上壳材料: 铝合金  
 表面处理: 粉末涂层, 灰色  
 防护等级: IP65(配合)



PART NUMBER	DESCRIPTION	TYPE	THREAD M/PG
T1240100116-000	H10B-TGH-PG16	HIGH CONSTRUCTION	PG16
T1240100120-000	H10B-TGH-M20		M20
T1240100121-000	H10B-TGH-PG21		PG21
T1240100125-000	H10B-TGH-M25		M25
T1240100129-000	H10B-TGH-PG29		PG29
T1240100130-000	H10B-TGH-M30		M30
T1240100132-000	H10B-TGH-M32		M32
T1240100140-000	H10B-TGH-M40		M40

THIS DRAWING IS A CONTROLLED DOCUMENT.		DWN 11JUN2015 David Wang		TE Connectivity NAME H10B-TGH-M/PG	
DIMENSIONS: mm		CHK 11JUN2015 Chris Wang			
TOLERANCES UNLESS OTHERWISE SPECIFIED:		APVD 11JUN2015 Xiang Xu			
0 PLC ±- 1 PLC ±- 2 PLC ±- 3 PLC ±- 4 PLC ±- ANGLES ±-		PRODUCT SPEC 108-137013			
MATERIAL		APPLICATION SPEC 114-137013		SIZE CAGE CODE DRAWING NO RESTRICTED TO	
		WEIGHT		A300779 C-T12401001XX000 -	
		Customer Drawing		SCALE 1:1 SHEET 1 OF 1 REV B1	

printed on 17 Jun 2021 10:20 (China Standard Time) from TE343646

单击下面可查看定价，库存，交付和生命周期等信息

[>>TE Connectivity\(泰科\)](#)