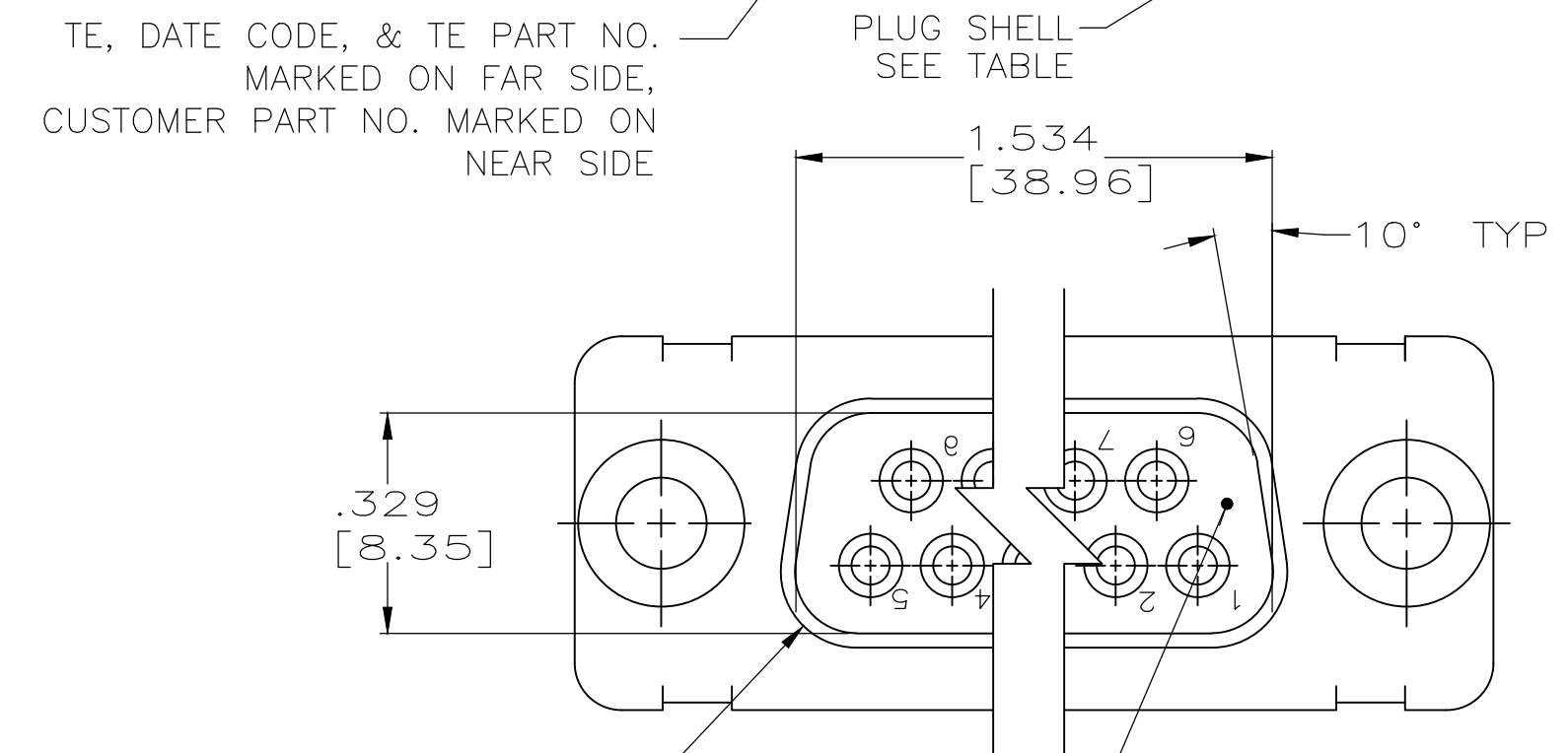
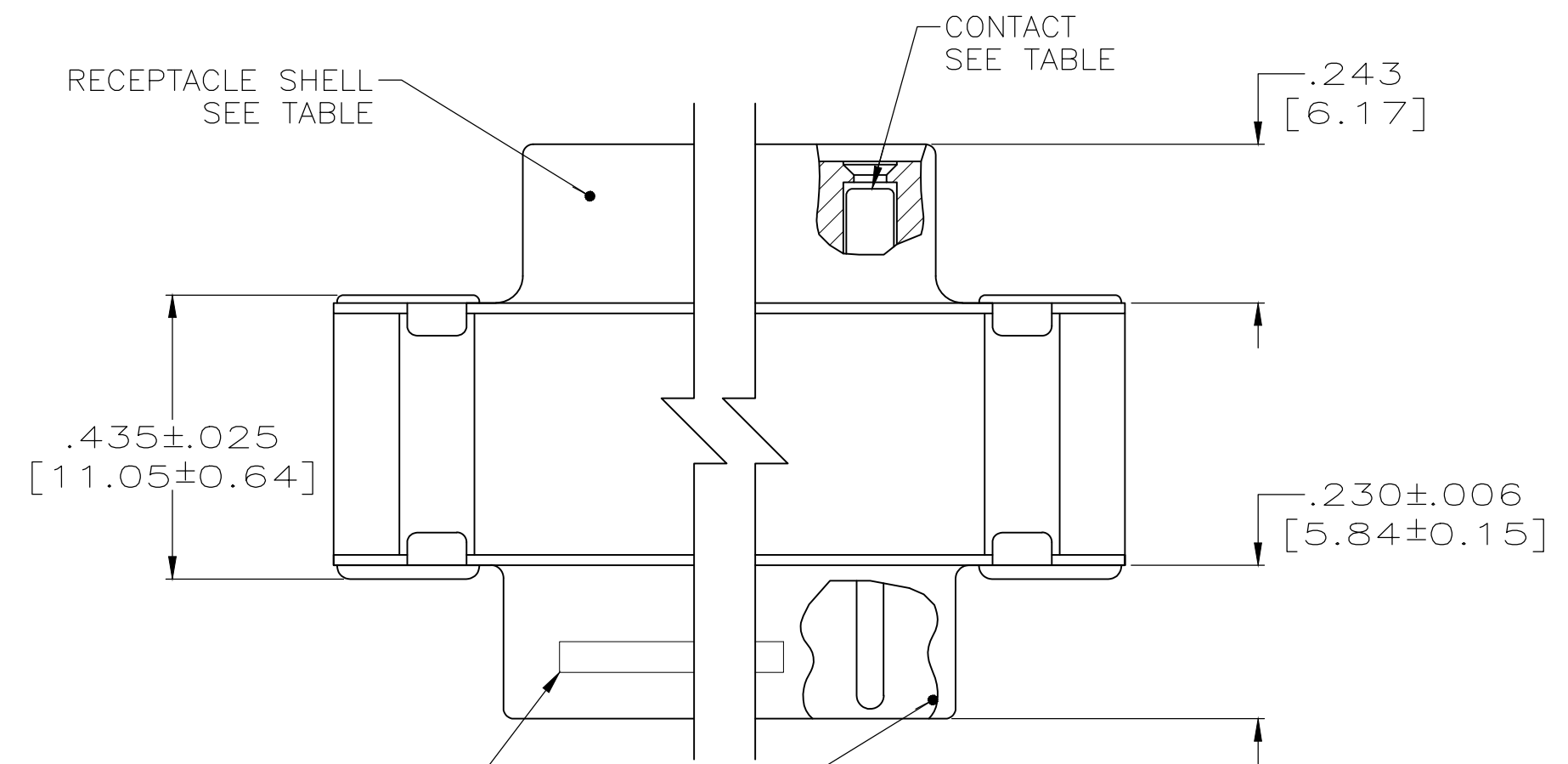
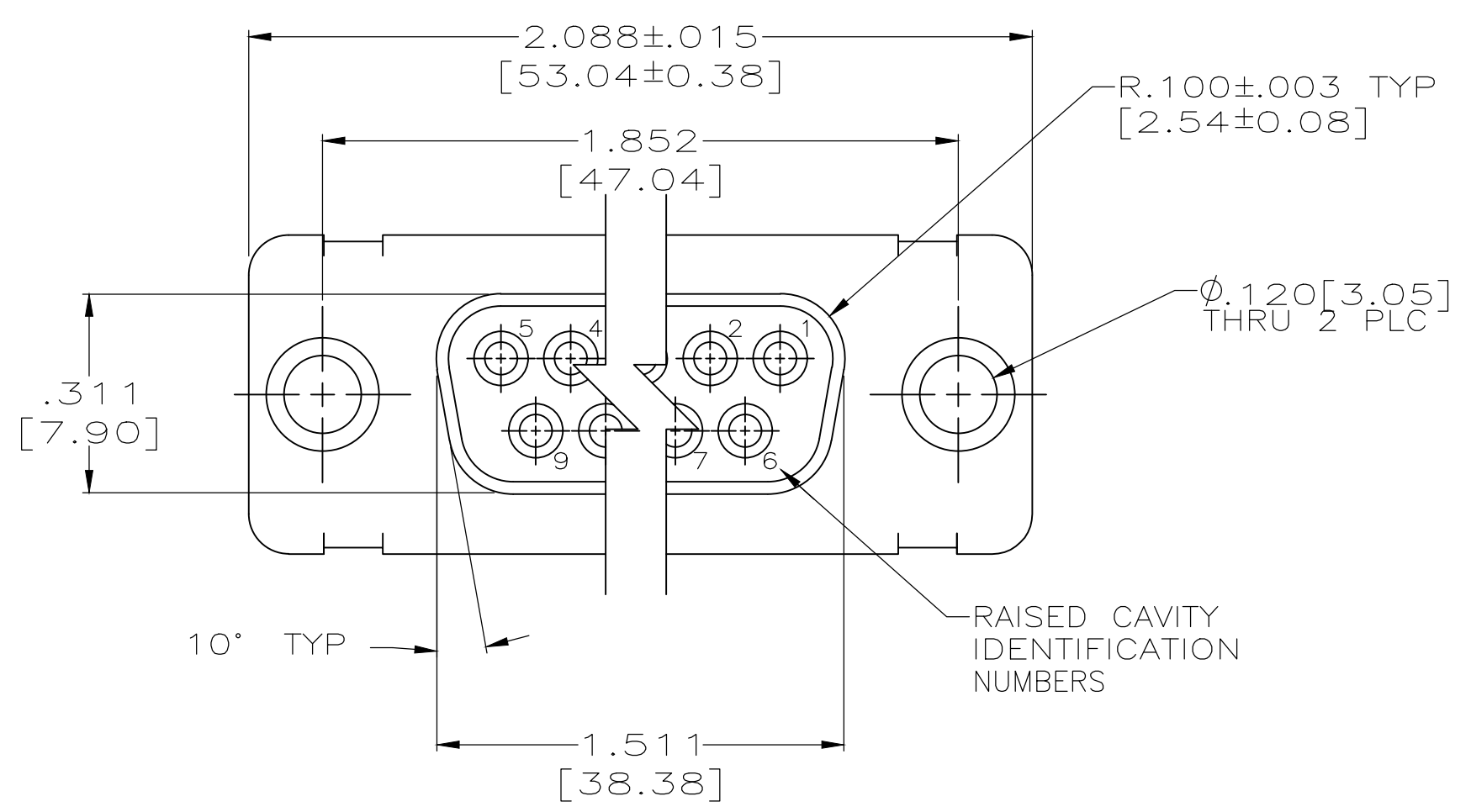
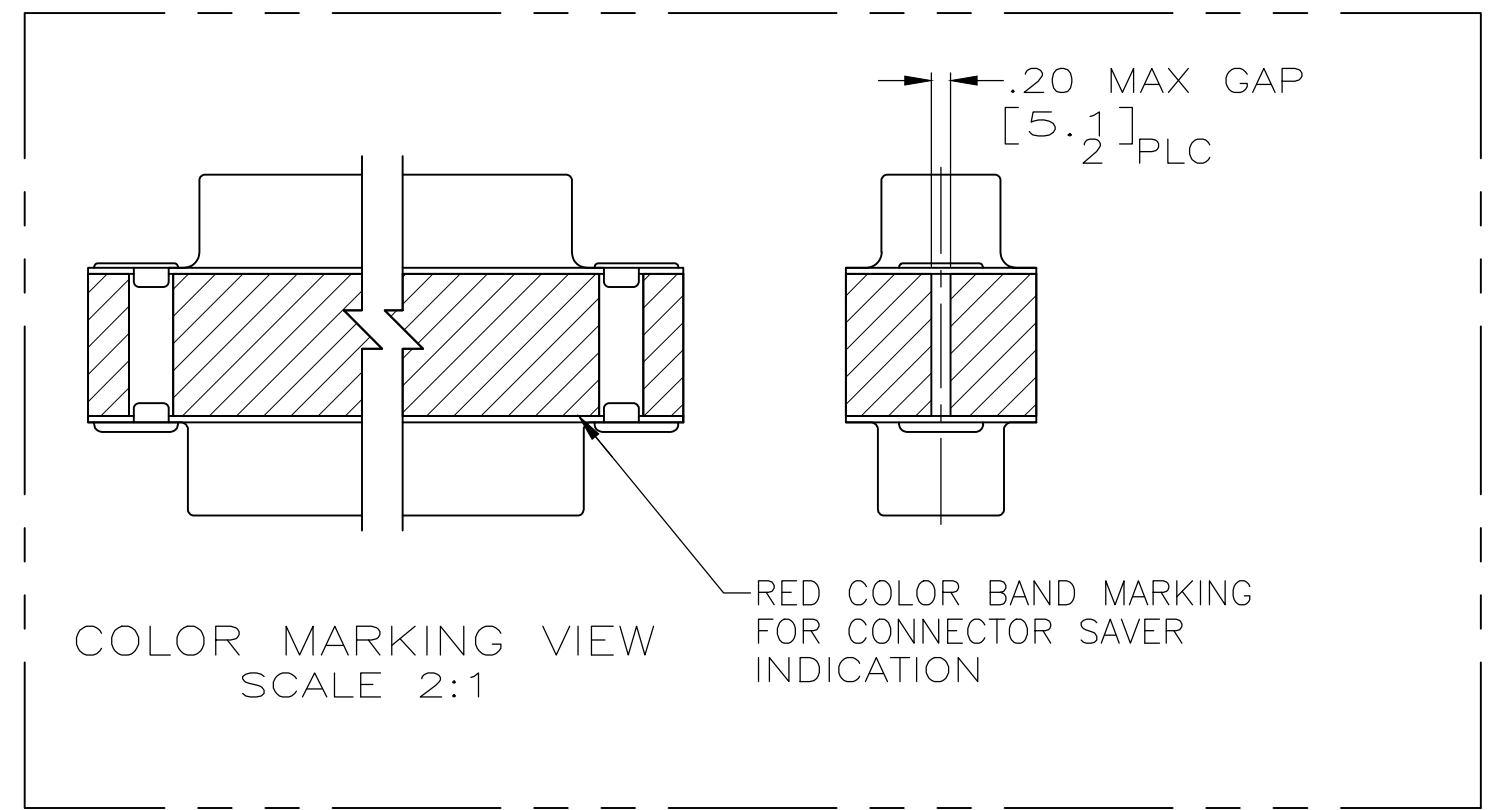
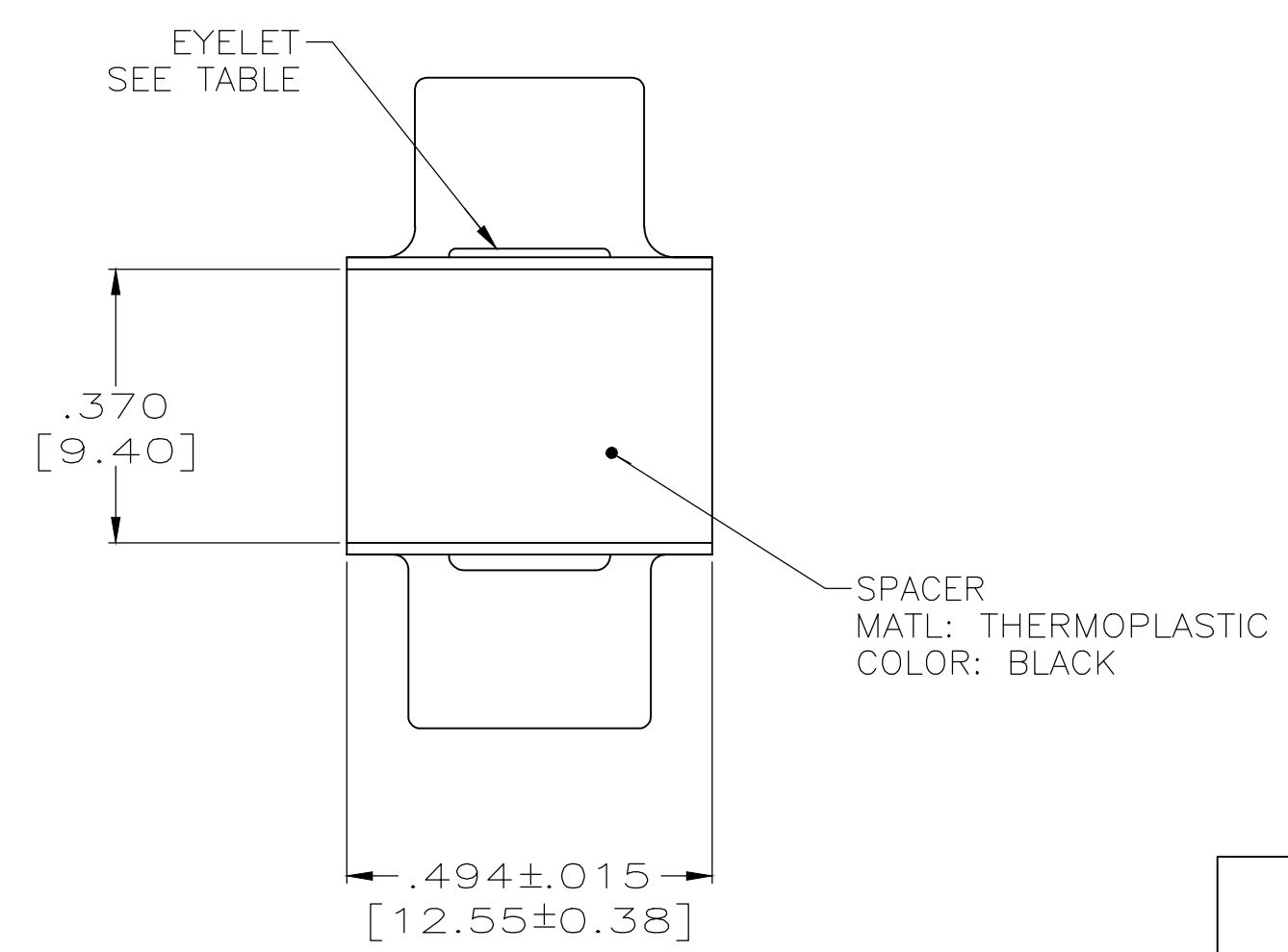


REVISIONS					
P	LTR	DESCRIPTION	DATE	DMN	APVD
E		REV PER ECO 19-019228	4-16-20	CT	DM



INSERT ASSEMBLY  
 MATL: POLYESTER PER MIL-M-24519  
 TYPE GPT-30F  
 COLOR: BLUE  
 OR DIALLYL PHTHALATE IN  
 ACCORDANCE WITH MIL-M-14  
 TYPE SPG-F  
 COLOR: BLUE

TE, DATE CODE, & TE PART NO.  
 MARKED ON FAR SIDE,  
 CUSTOMER PART NO. MARKED ON  
 NEAR SIDE



- CONTACTS INCLUDED IN ASSEMBLY.
- CONTACT  
 BODY MATL: BERYLLIUM COPPER PER ASTM-B-197.  
 BODY FINISH: PLATED GOLD, .000050 MIN THK PER MIL-G-45204 OVER NICKEL, .000050 MIN THK PER QQ-N-290.  
 HOOD MATL: STAINLESS STEEL PER ASTM-A-167.  
 HOOD FINISH: PASSIVATED PER ASTM-A-380
  - MATL: BRASS PER ASTM-B-36.
  - FINISH: PLATED GOLD, .000050 MIN THK PER MIL-G-45204 OVER COPPER, .000100 MIN THK PER MIL-C-14550.

$\triangle 3$ $\triangle 4$	$\triangle 3$ $\triangle 4$	$\triangle 2$	4U884 SOCN R10002677-0003	1218305-2
$\triangle 3$ $\triangle 4$	$\triangle 3$ $\triangle 4$	$\triangle 2$	(1J02-003)	1218305-1
EYELET	SHELLS	CONTACT	CUSTOMER P/N	PART NO.

THIS DRAWING IS A CONTROLLED DOCUMENT.		DIN T. THOMPSON 19AUG98		TE Connectivity	
DIMENSIONS: INCHES		TOLERANCES UNLESS OTHERWISE SPECIFIED:		APVD J. NORTON 19AUG98	
$\phi$		0 PLC ± - 1 PLC ± - 2 PLC ± - 3 PLC ± .005(0.13) 4 PLC ± - ANGLES ± - ± -		NAME AMPLITE CONNECTOR SAVER SERIES 109, SIZE 3, 25 POS NON-REMOVABLE CONTACTS	
MATERIAL -		FINISH -		APPLICATION SPEC -	
WEIGHT 0.000000		SIZE A1		CAGE CODE 00779	
CUSTOMER DRAWING		DRAWING NO. 1218305		RESTRICTED TO	
SCALE 4:1		SHEET 1 OF 1		REV E	

单击下面可查看定价，库存，交付和生命周期等信息

[>>TE Connectivity\(泰科\)](#)