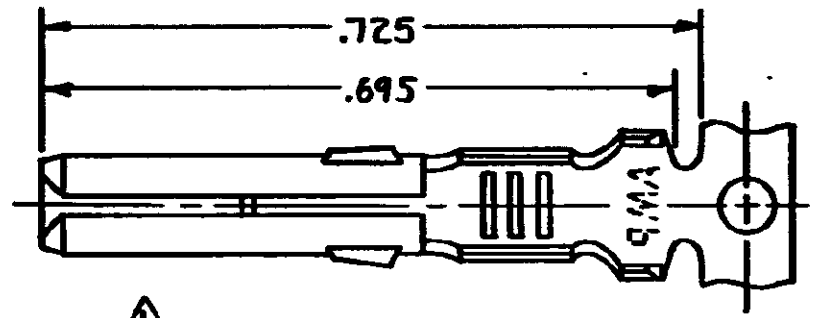
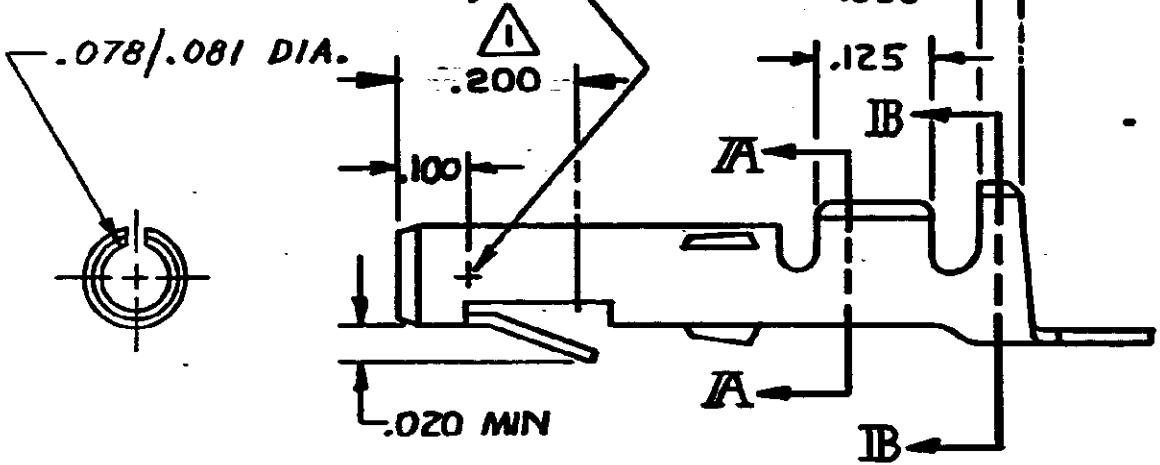


© COPYRIGHT 1968 BY AMP INCORPORATED, HARRISBURG, PA.  
 ALL INTERNATIONAL RIGHTS RESERVED. AMP INCORPORATED PRODUCTS  
 COVERED BY U. S. AND FOREIGN PATENTS AND/OR PATENTS PENDING.

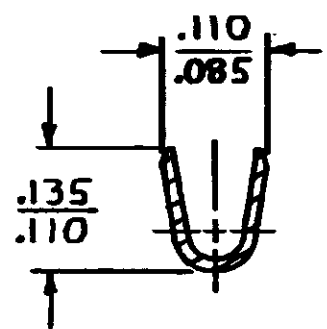
REVISIONS						
P	F	ZONE	LTR	DESCRIPTION	DATE	APPROVED
✓	✓		AA	OBSOLETE - 2 PER CM 2215	4-3-89	1B/RS



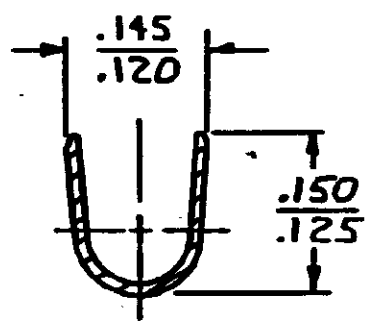
POINT OF MEASUREMENT  
 (INSIDE OF RECEPTACLE)



▲ NICKEL PLATED ON ENTIRE TERMINAL, .000030  
 GOLD OVER INSIDE OF MATING AREA AND WIRE  
 BARREL.



SECTION A-A



SECTION B-B

GOLD	▲ .010	BRASS	61115-5
PRE-TIN	.010	BRASS	61115-1
FINISH		MATERIAL	PART NO

UNLESS OTHERWISE SPECIFIED DIMENSIONS ARE IN INCHES. TOLERANCES ON DECIMALS ±.015 ANGLES ±	CONTRACT NO	AMP INCORPORATED Harrisburg, Pa.	
	DR M. FEHER 11-30-79	NAME SOCKET, COMMERCIAL MATE-N-LOK	
	CHK D.S. Heide 12/11/79	SIZE B	CODE IDENT NO 00779
MATERIAL SEE TABLE	APPD W. V. Scholtz 12/12/79	DRAWING NO 61115	
FINISH SEE TABLE	WIRE RANGE .24-18 AWG	SCALE 5-1	SHEET
	INSULATION DIA .100 MAX		

单击下面可查看定价，库存，交付和生命周期等信息

[>>TE Connectivity\(泰科\)](#)