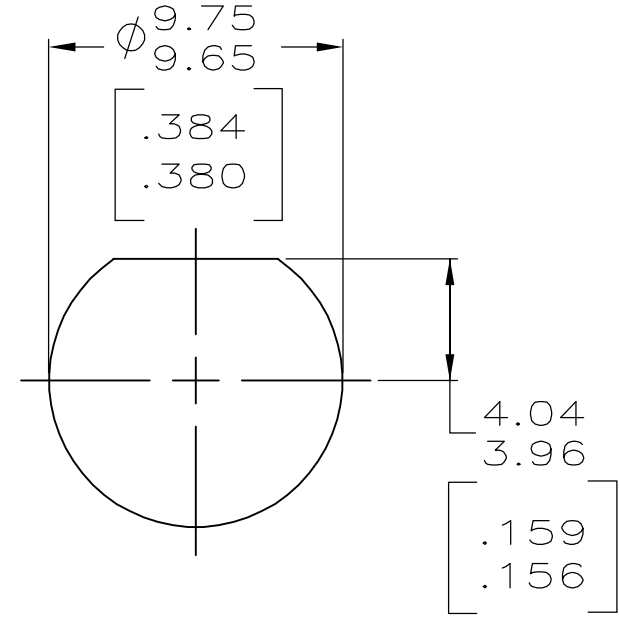
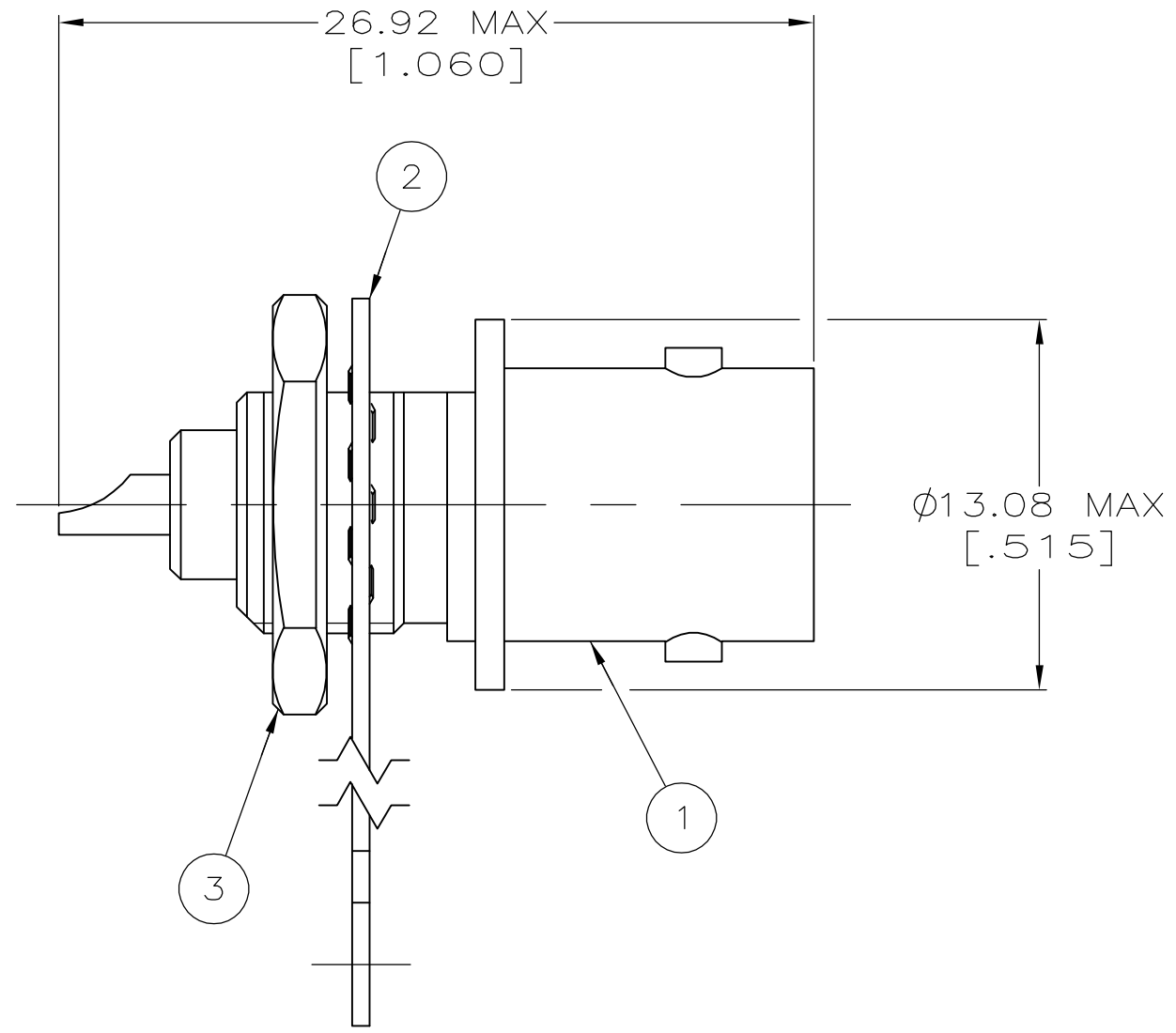


THIS DRAWING IS UNPUBLISHED. RELEASED FOR PUBLICATION
 © COPYRIGHT BY TYCO ELECTRONICS CORPORATION. ALL RIGHTS RESERVED.

LOC	DIST	REVISIONS					
AJ	16	P	LTR	DESCRIPTION	DATE	DWN	APVD
			A	REVISED PER EC OS14-0150-05	30AUG05	BM	JL



RECOMMENDED PANEL CUTOUT

1-330249-1	9-227260-0	227717-3	5227716-3
3 JAM NUT QTY=1	2 LOCKWASHER, TERMINAL QTY=1	1 JACK ASSY QTY=1	PART NUMBER

THIS DRAWING IS A CONTROLLED DOCUMENT.		DWN L. VARELA - DOCK5 21APR2005	Tyco Electronics Corporation Harrisburg, Pa 17105-3608	
DIMENSIONS: mm [INCHES]	TOLERANCES UNLESS OTHERWISE SPECIFIED:	CHK J. HAVENER 21APR2005	NAME SOLDER JACK, SERIES BNC	
	0 PLC ± -	APVD J. LIPPERT 21APR2005	PRODUCT SPEC	
	1 PLC ± -	PRODUCT SPEC	APPLICATION SPEC	
MATERIAL	FINISH	WEIGHT	SIZE A3	CAGE CODE 00779
			DRAWING NO C-5227716	RESTRICTED TO
CUSTOMER DRAWING			SCALE 4:1	SHEET 1 OF 1
			REV A	

单击下面可查看定价，库存，交付和生命周期等信息

[>>TE Connectivity\(泰科\)](#)