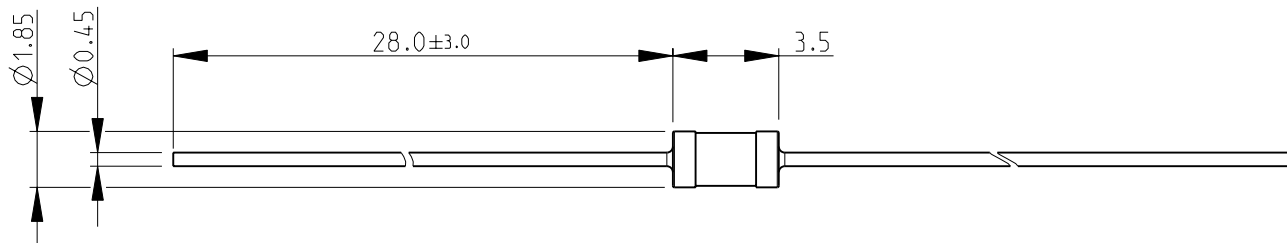
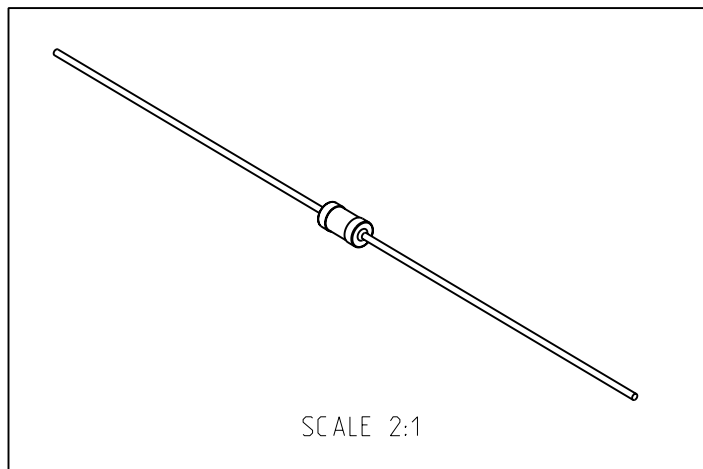


LOC	DIST	REVISIONS					
E	B	P	LTR	DESCRIPTION	DATE	DWN	APVD
			BA	NEW RELEASE	20-Sep-08	SM	St.P

FOR FURTHER INFORMATION SEE DATA SHEET FOR  
CFR SERIES-CARBON FILM FIXED RESISTORS



RoHS Compliant



SCALE 2:1

2008

RELEASED FOR PUBLICATION

THIS DRAWING IS UNPUBLISHED.

BY TYCO ELECTRONICS CORPORATION. ALL RIGHTS RESERVED.

© COPYRIGHT 2008

DIMENSIONS: mm	DWN	20-Sep-08	MATERIAL	-	FINISH	-
	CHK	20-Sep-08	Tyco Electronics Corporation Dorcan, Swindon, SN3 5HH			
TOLERANCES UNLESS OTHERWISE SPECIFIED:	APVD	20-Sep-08				
	0 PLC	$\pm 0.2$	NAME	CARBON FILM FIXED RESISTORS SERIES CFR16		
1 PLC	$\pm 0.1$	PRODUCT SPEC	SIZE	CAGE CODE	DRAWING NO	RESTRICTED TO
2 PLC	$\pm -$	APPLICATION SPEC	A 4	00779	©- 1623927	-
3 PLC	$\pm -$	WEIGHT	CUSTOMER DRAWING			
4 PLC	$\pm -$		SCALE	4:1	SHEET	1 OF 1
ANGLES	$\pm 5^\circ$		REV BA			

单击下面可查看定价，库存，交付和生命周期等信息

[>>TE Connectivity\(泰科\)](#)