

4

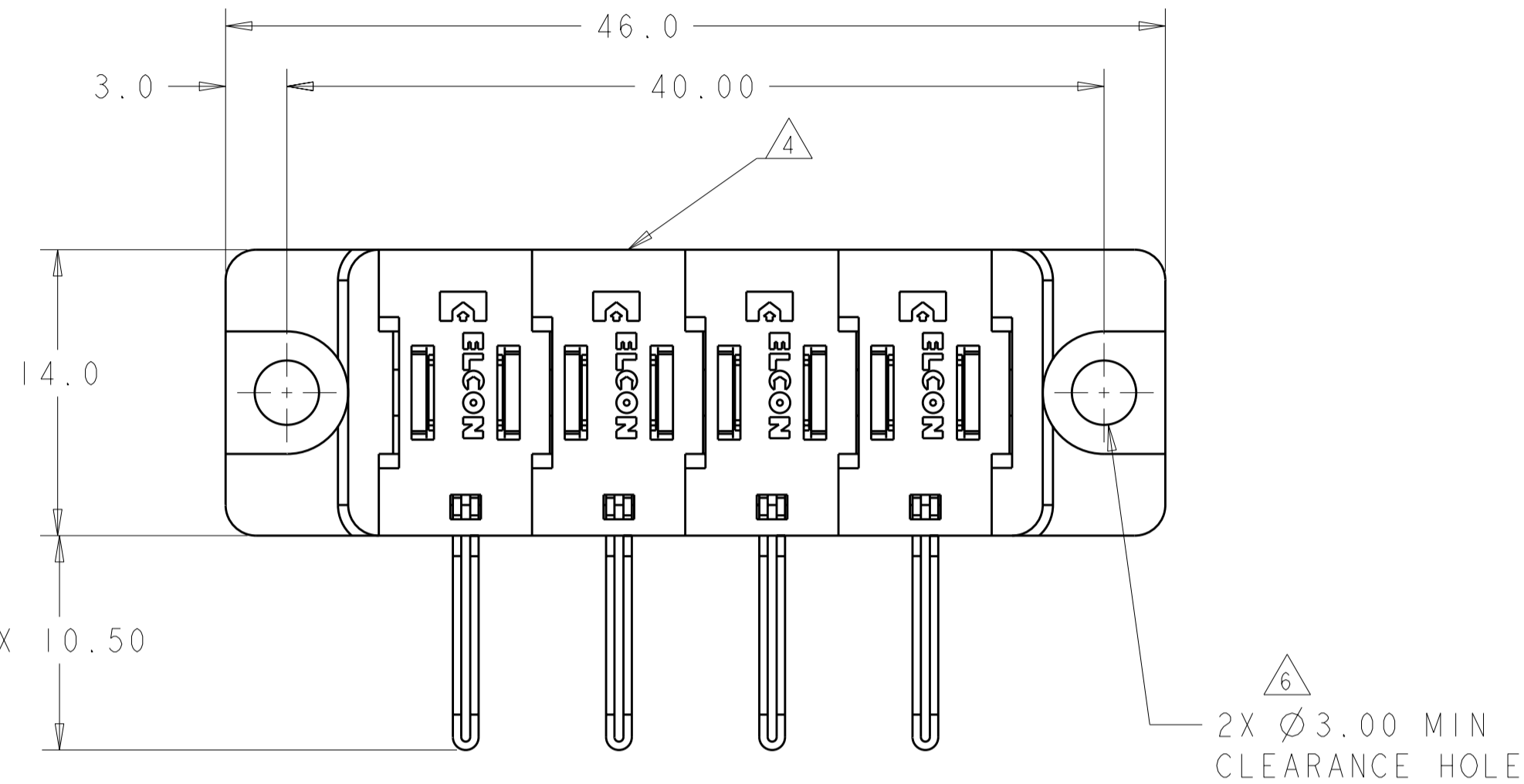
3

2

1

THIS DRAWING IS UNPUBLISHED. RELEASED FOR PUBLICATION 20  
 © COPYRIGHT 20 BY TYCO ELECTRONICS CORPORATION. ALL RIGHTS RESERVED.

LOC		DIST		REVISIONS			
P	LTR	DESCRIPTION	DATE	DWN	APVD		
GP	00	A	RELEASED	15APR2008	RG	SF	



1. PART NUMBER CHANGES AND OR DESIGN CHANGES AFFECTING ITEM INTERCHANGEABILITY REQUIRE PRIOR TYCO ELECTRONICS APPROVAL AND AUTHORIZATION BY REVISION TO THIS DRAWING.

2 MATERIAL: INSULATORS - THERMOPLASTIC, GLASS REINFORCED, COLOR: BLACK UL94V-0 FLAMMABILITY RATED. POWER CONTACTS - PHOSPHOR BRONZE ALLOY, COPPER ALLOY CROWN BAND: BERYLLIUM COPPER

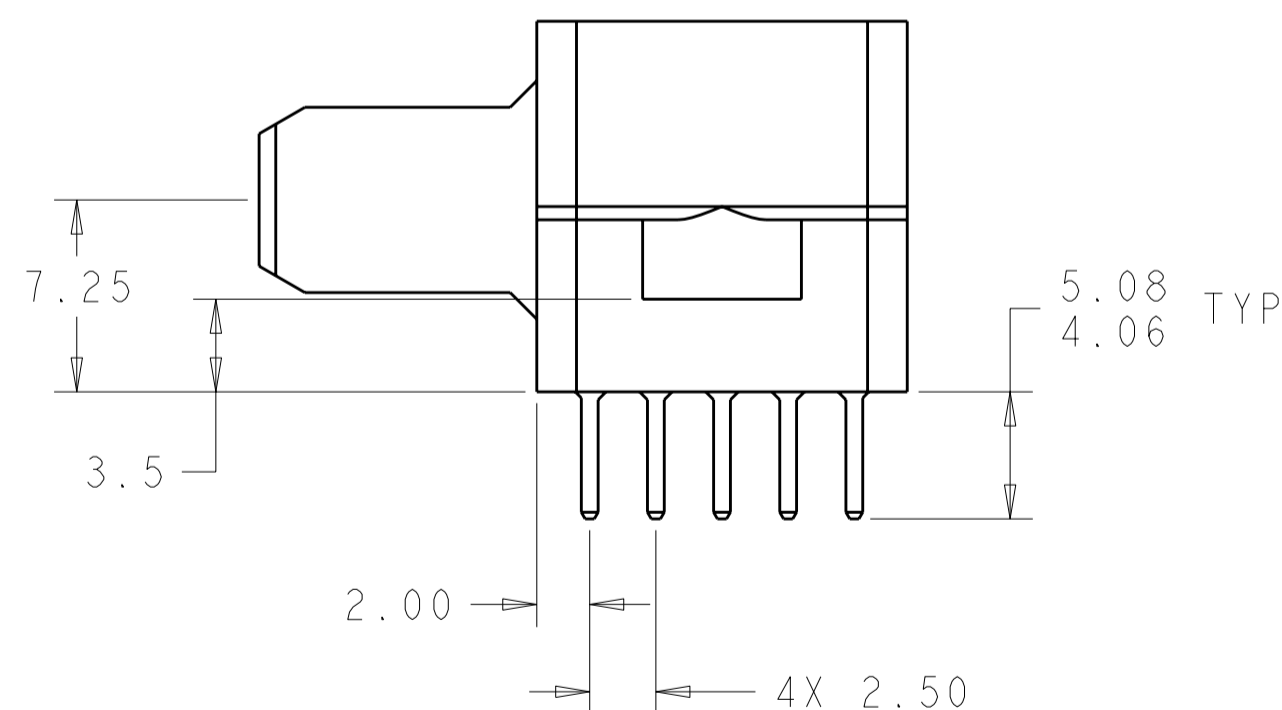
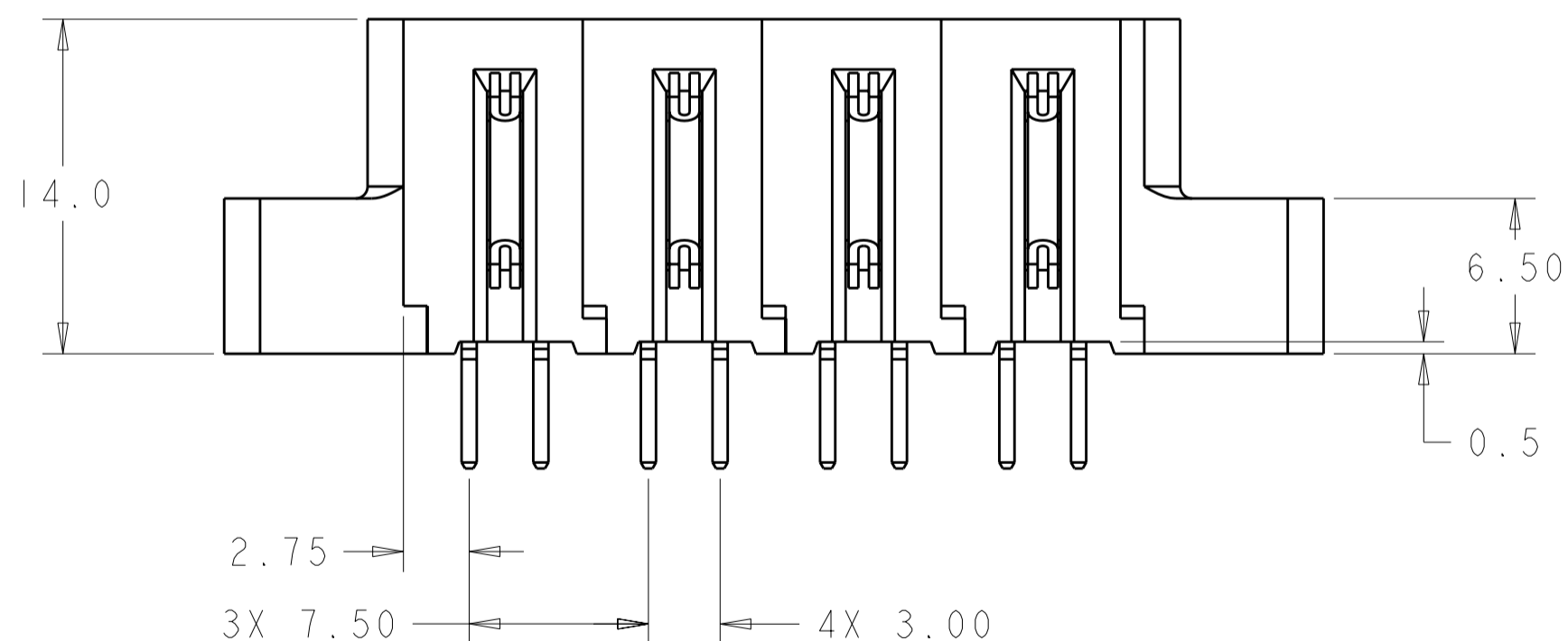
3 FINISH: CONTACTS - GOLD PLATE 0.76 $\mu$ M MIN. THK. OVER NICKEL 1.27 $\mu$ M MIN. THK. SOLDER TAILS TIN 3.05 $\mu$ M MIN. THK. OVER NICKEL 1.27 $\mu$ M MIN THK.

4 ITEMS PROVIDED TO THIS SPECIFICATION TO BE IDENTIFIED ON THE CONTAINER PER THE FOLLOWING IDENTIFIER LABEL

TYCO ELECTRONICS P/N DATE CODE (e.g. 0106)  
 XXXXXXX-X XXXX

5. MATES WITH TYCO ELECTRONICS P/N 6646275-1

6 MOUNTING FLANGE ACCEPTS M3 OR #4-40 SCREWS (USER SUPPLIED).



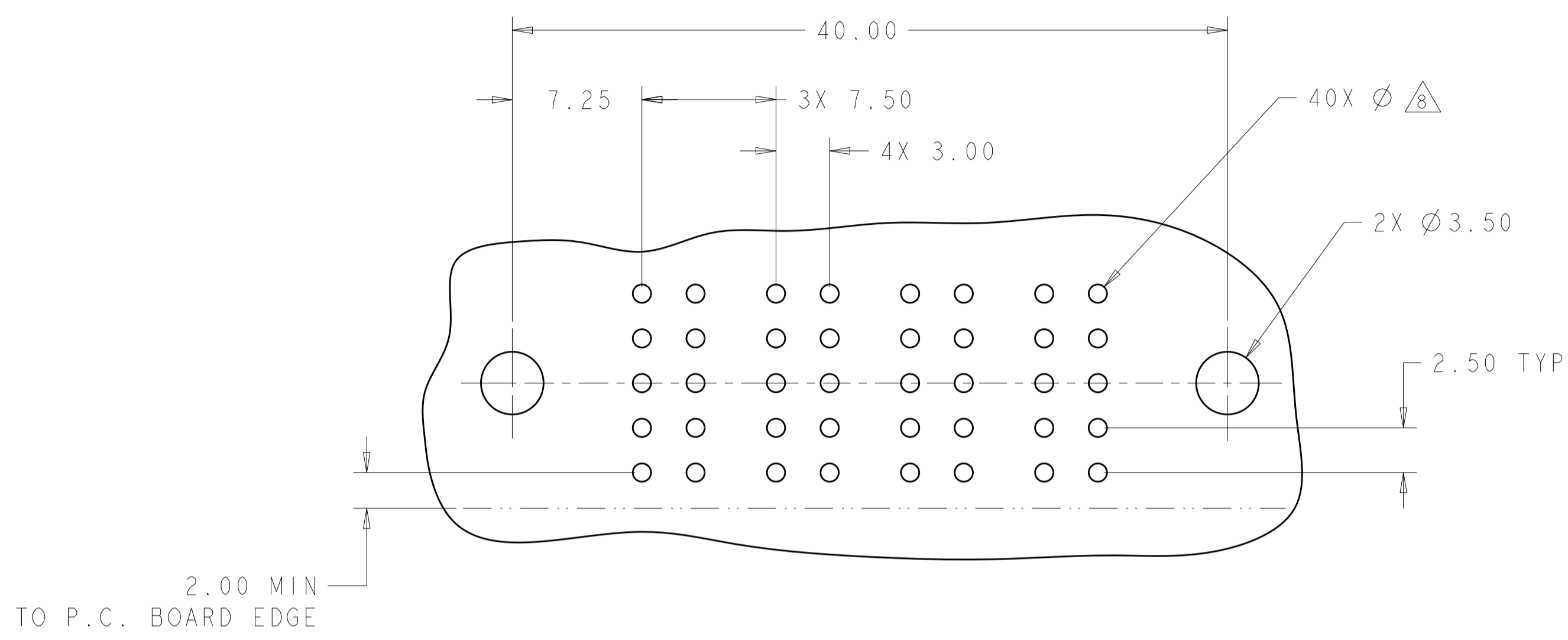
AS SHOWN	6646683-1
DESCRIPTION	PART NUMBER
Tyco Electronics Harrisburg, PA 17105-3608	
NAME P/N CONNECTOR ASSEMBLY RIGHT ANGLE, SOLDER TAILS FLATPAQ	
SIZE	CAGE CODE
A2	00779
DRAWING NO	RESTRICTED TO
C-6646683	-
CUSTOMER DRAWING	SCALE 4:1 SHEET 1 OF 3 REV A

THIS DRAWING IS A CONTROLLED DOCUMENT FOR TYCO ELECTRONICS CORPORATION IT IS SUBJECT TO CHANGE AND THE CONTROLLING ENGINEERING ORGANIZATION SHOULD BE CONTACTED FOR THE LATEST REVISION.		DWN R.GRZYBOWSKI 15APR108
DIMENSIONS: mm 		CHK S.FLICKINGER 15APR108
TOLERANCES UNLESS OTHERWISE SPECIFIED: 0 PLC $\pm$ - 1 PLC $\pm$ 0.5 2 PLC $\pm$ 0.25 3 PLC $\pm$ - 4 PLC $\pm$ - ANGLES $\pm$ 3 FINISH		APVD S.FLICKINGER 15APR108
MATERIAL 2-		PRODUCT SPEC -
3-		APPLICATION SPEC -
WEIGHT -		RESTRICTED TO -
CUSTOMER DRAWING		

**ELCON** **FLATPAQ**

THIS DRAWING IS UNPUBLISHED. RELEASED FOR PUBLICATION 20  
 © COPYRIGHT 20 BY TYCO ELECTRONICS CORPORATION. ALL RIGHTS RESERVED.

LOC	DIST	REVISIONS					
GP	00	P	LTR	DESCRIPTION	DATE	DWN	APVD
		-		SEE SHEET 1			



PRINTED CIRCUIT LAYOUT  
 COMPONENT SIDE

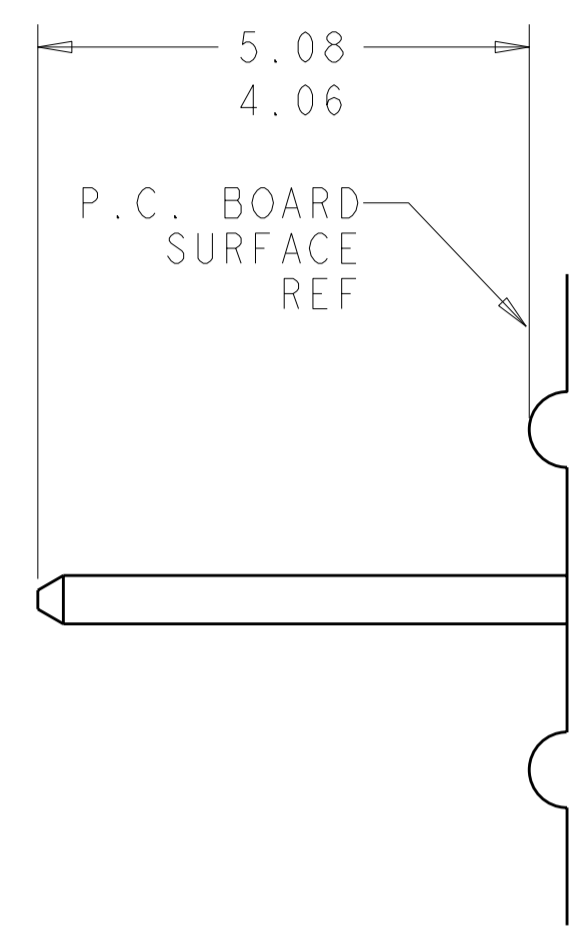
CONNECTOR	CATALOG MODULE #	QTY	SIZE NO.	CONTACT QTY	MATING PIN	MAX. CURRENT (PER CONTACT)	CONTACT SPACING	VOLTAGE RATING
PIN	FPI05	4	8	4	1.25 X 7.00 [.049 X .276]	35 amps	7.50 [.2953]	250
	FP500	1	LEFT MOUNTING FLANGE					
	FP501	1	RIGHT MOUNTING FLANGE					

<small>THIS DRAWING IS A CONTROLLED DOCUMENT FOR TYCO ELECTRONICS CORPORATION. IT IS SUBJECT TO CHANGE AND THE CONTROLLING ENGINEERING ORGANIZATION SHOULD BE CONTACTED FOR THE LATEST REVISION.</small>		DWN R.GRZYBOWSKI 15APR108 CHK S.FLICKINGER 15APR108 APVD S.FLICKINGER 15APR108	Tyco Electronics Harrisburg, PA 17105-3608
DIMENSIONS: mm 	TOLERANCES UNLESS OTHERWISE SPECIFIED: 0 PLC ±- 1 PLC ±0.5 2 PLC ±0.25 3 PLC ±- 4 PLC ±- ANGLES ±3	PRODUCT SPEC - APPLICATION SPEC - WEIGHT -	NAME: PIN CONNECTOR ASSEMBLY RIGHT ANGLE, SOLDER TAILS FLATPAQ SIZE: A200779 CAGE CODE: 6646683 DRAWING NO: 6646683
MATERIAL: -	FINISH: -	CUSTOMER DRAWING	RESTRICTED TO: -

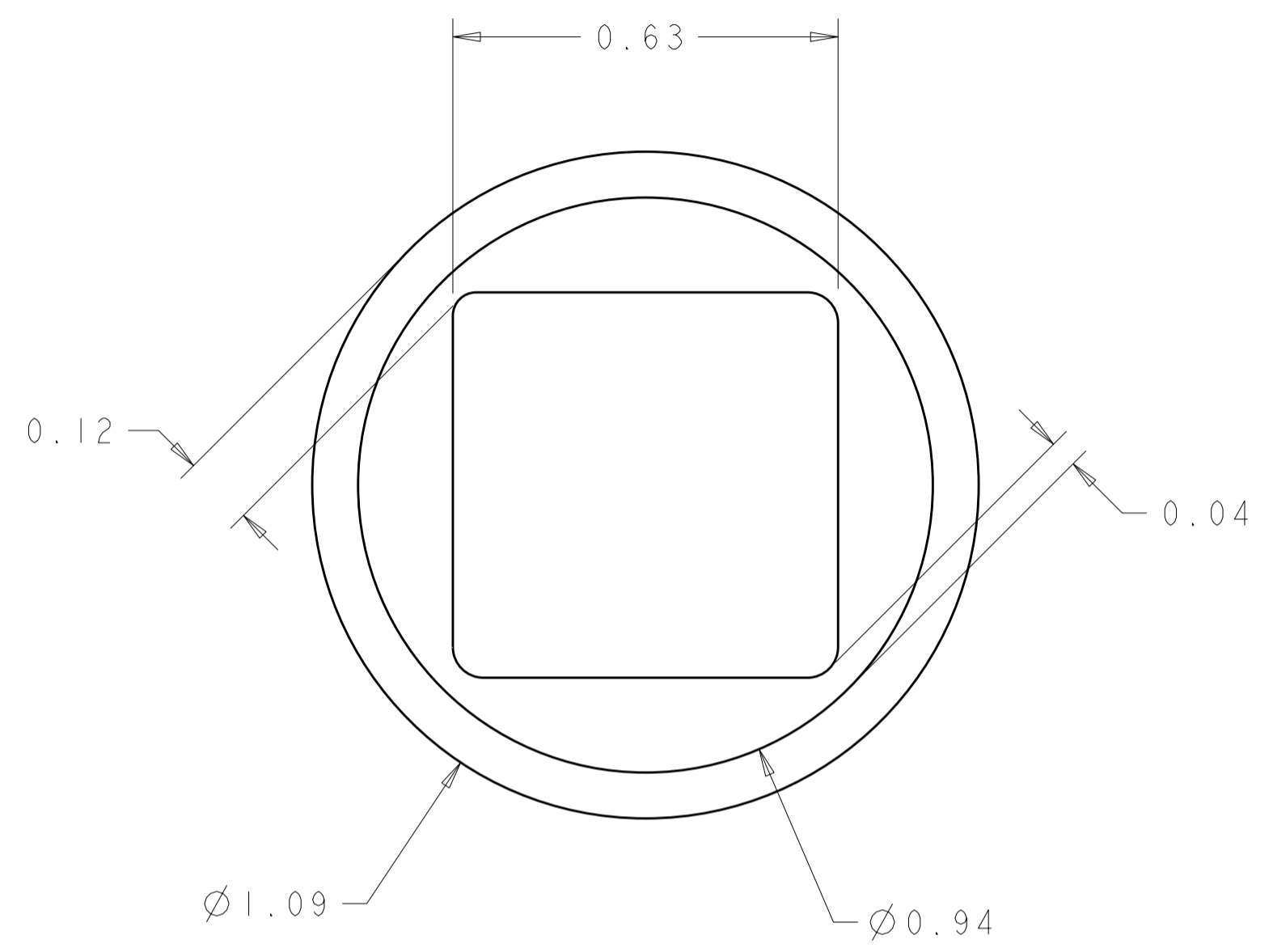
ELCON FLATPAQ

THIS DRAWING IS UNPUBLISHED. RELEASED FOR PUBLICATION 20  
 © COPYRIGHT 20 BY TYCO ELECTRONICS CORPORATION. ALL RIGHTS RESERVED.

LOC	DIST	REVISIONS			
P	LTR	DESCRIPTION	DATE	DWN	APVD
GP	00	-	SEE SHEET 1	-	-



7. SOLDER TAIL DETAIL  
SCALE 10 : 1



8. SOLDER TERMINATION AREA  
SCALE 40:1  
 RECOMMENDED PRINTED CIRCUIT SOLDER HOLE  
 FINISHED HOLE: Ø1.02 [.040] ±.08 [.003]  
 DRILLED HOLE: Ø1.15 [.0453] ±.013 [.0005]  
 COPPER PLATE: .025 [.0010] MIN (PER SURFACE)  
 TIN PLATE: .008 [.0003] MIN. (PER SURFACE)

**ELCON** **FLATPAQ**

THIS DRAWING IS A CONTROLLED DOCUMENT FOR TYCO ELECTRONICS CORPORATION. IT IS SUBJECT TO CHANGE AND THE CONTROLLING ENGINEERING ORGANIZATION SHOULD BE CONTACTED FOR THE LATEST REVISION.		DWN R. GRZYBOWSKI 15 APRIL 08	Tyco Electronics Harrisburg, PA 17105-3608	
DIMENSIONS: mm		CHK S. FLICKINGER 15 APRIL 08	NAME PIN CONNECTOR ASSEMBLY RIGHT ANGLE, SOLDER TAILS FLATPAQ	
TOLERANCES UNLESS OTHERWISE SPECIFIED: 0 PLC ± 1 PLC ±0.5 2 PLC ±0.25 3 PLC ± 4 PLC ± ANGLES ±3		APVD S. FLICKINGER 15 APRIL 08	PRODUCT SPEC -	RESTRICTED TO -
MATERIAL	FINISH	APPLICATION SPEC -	WEIGHT -	SIZE A200779
-		CUSTOMER DRAWING	DRAWING NO 6646683	SCALE 4:1 SHEET 3 OF 3 REV A

单击下面可查看定价，库存，交付和生命周期等信息

[>>TE Connectivity\(泰科\)](#)