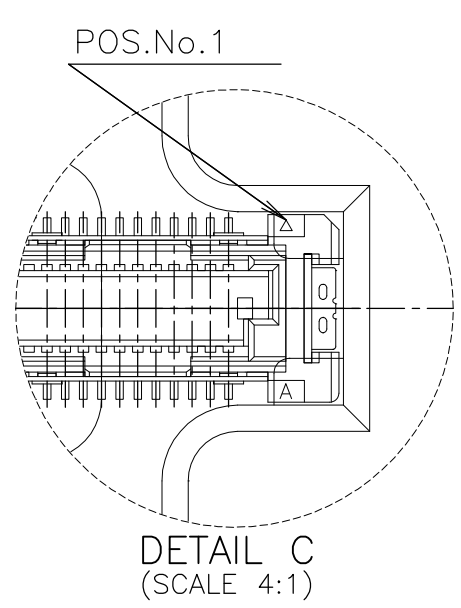
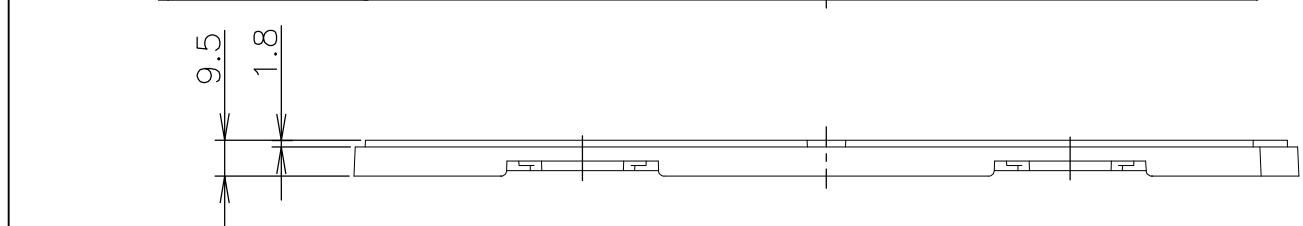
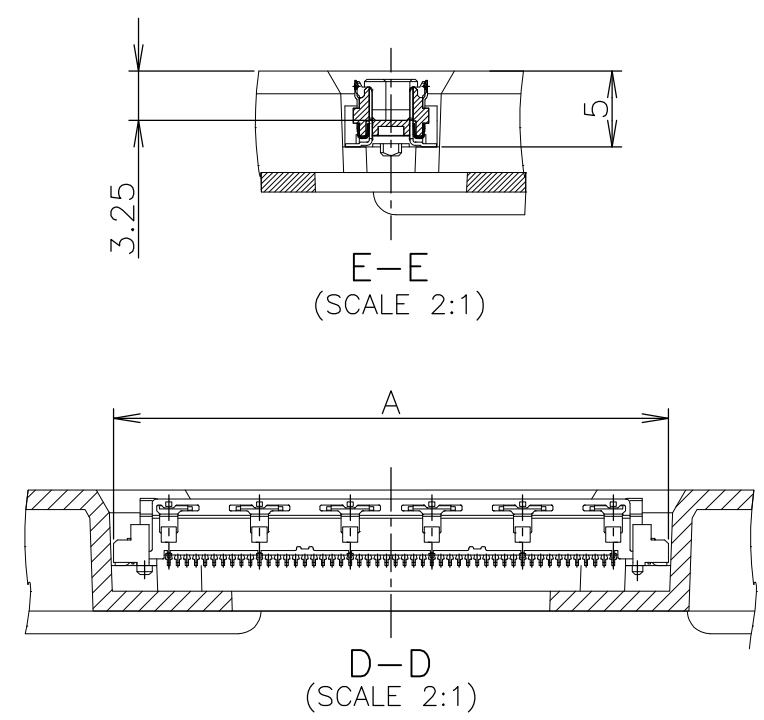
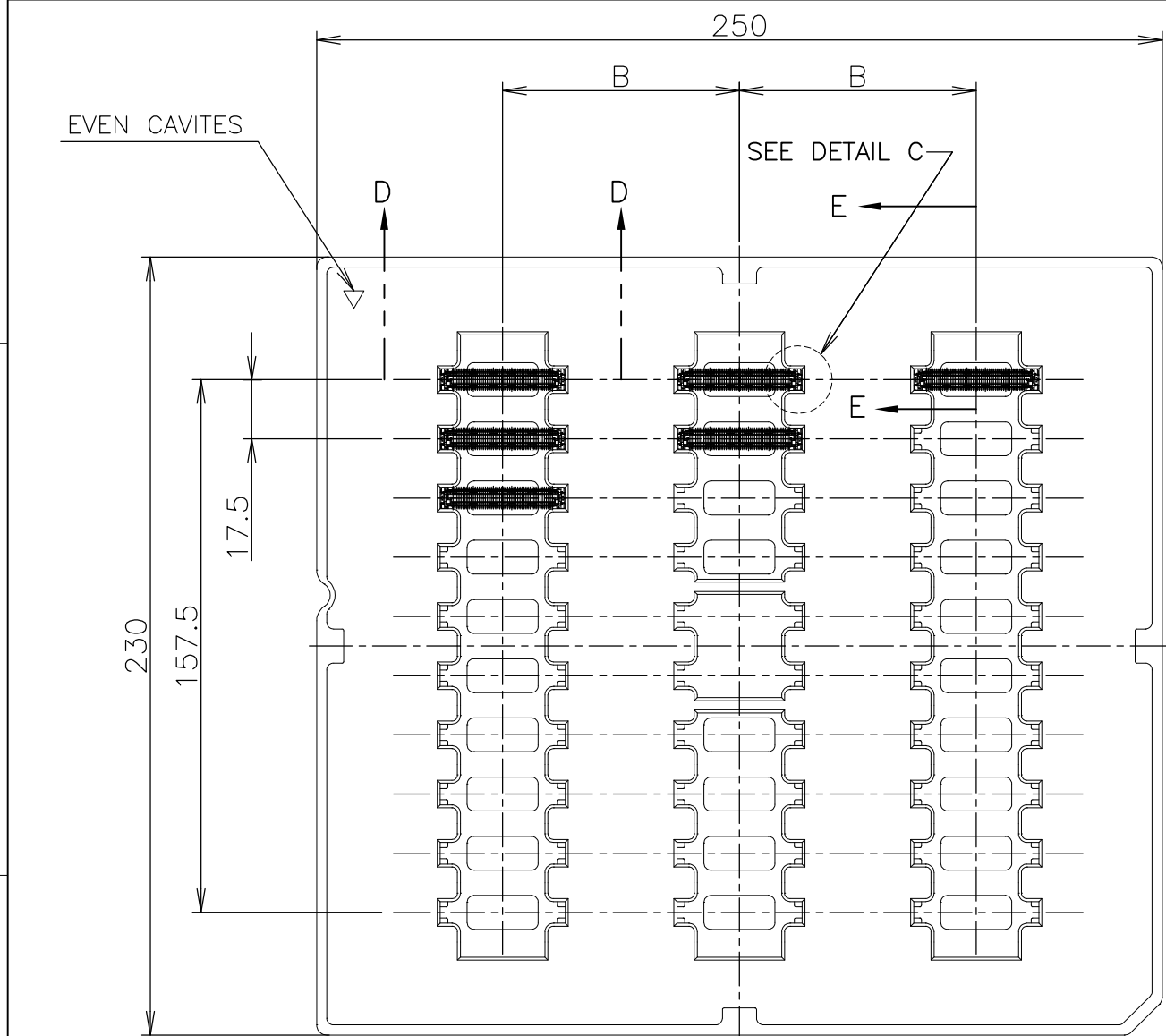


THIS DRAWING IS UNPUBLISHED. RELEASED FOR PUBLICATION AUG, 1996.
 © COPYRIGHT 1996 By - ALL RIGHTS RESERVED.

LOC	DIST	REVISIONS			DATE	DWN	APVD
		P	LTR	DESCRIPTION			
J		A1	REVISED	ECR-15-012060	14SEP2015	I.T	W.H



SEALANT	NOT AVAILABLE	3	30	70	54.7	160	9-912067-2	1-5353471-1
	NOT AVAILABLE	↑	↑	↑	48.7	140	9-912066-2	1- ↑ -0
	↑	↓	↓	↓	42.7	120	9-912067-1	↑ -9
	↓	↑	↑	↑	36.7	100	9- ↑ -0	↑ -8
	↑	3	30	70	33.7	90	8- ↑ -9	↑ -7
	↓	5	50	43	30.7	80	8- ↑ -8	↑ -6
	↑	↑	↑	↑	27.7	70	8- ↑ -7	↑ -5
	↓	↓	↓	↓	24.7	60	8- ↑ -6	↑ -4
	↑	↑	↑	↑	21.7	50	8- ↑ -5	↑ -3
	↓	↓	↓	↓	18.7	40	8- ↑ -4	↑ -2
NOT AVAILABLE	5	50	43	15.7	30	8-912067-3	5353471-1	
SEALANT	TOOLING STATUS	ROW	QTY	B	A	POS.	TRAY P/N	PART NO.

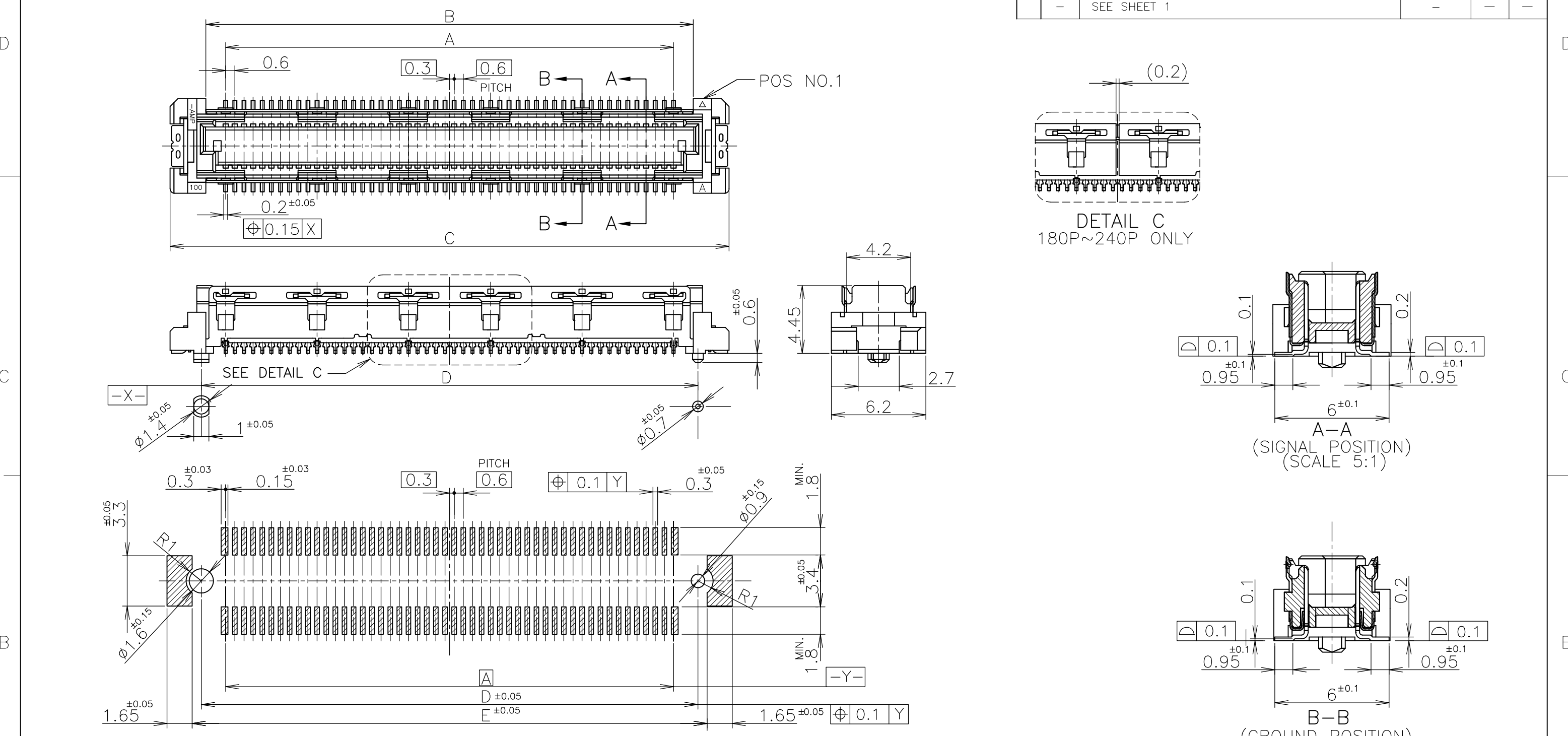
GENERAL TOLERANCE
 一般公差
 10 ≥ ±0.2
 30 ≥ >10: ±0.25
 100 ≥ >30: ±0.3
 ANGLES: ±3°

THIS DRAWING IS A CONTROLLED DOCUMENT.

DIMENSIONS: 单位: 耗 mm	TOLERANCES UNLESS OTHERWISE SPECIFIED: 一般公差	DWN HAWKING HE 14DEC04	 TE Connectivity HARD TRAY ASSY FH 0.6BTB CONNECTOR PLUG 5H W/G-PLATE			
	0 PLC ± -	CHK STEVEN YAO 14DEC04				
	1 PLC ± -	APVD I.ENOMOTO 14DEC04				
	2 PLC ± -	NAME 名称				
3 PLC ± -	PRODUCT SPEC 製品規格 108-60047	SIZE	CAGE CODE	DRAWING NO 番号	RESTRICTED TO	
4 PLC ± -	APPLICATION SPEC 取付適用規格 114-5255	WEIGHT	A3	00779	C-5353471	
ANGLES ± -	FINISH 仕上	CUSTOMER DRAWING	SCALE 尺度	1:2	SHEET 1 OF 3	REV A1

THIS DRAWING IS UNPUBLISHED. RELEASED FOR PUBLICATION AUG, 1996.
 © COPYRIGHT 1996 By - ALL RIGHTS RESERVED.

LOC	DIST	REVISIONS		
J		P	LTR	DESCRIPTION
		-		SEE SHEET 1
				DATE
				DWN
				APVD



REFERENCE P.C. BOARD LAYOUT

AVAILABLE	51.8	50.6	54.7	50	47.4	160
NOT AVAILABLE	45.8	44.6	48.7	44	41.4	140
	39.8	38.6	42.7	38	35.4	120
	33.8	32.6	36.7	32	29.4	100
	30.8	29.6	33.7	29	26.4	90
	27.8	26.6	30.7	26	23.4	80
	24.8	23.6	27.7	23	20.4	70
	21.8	20.6	24.7	20	17.4	60
	19.8	17.6	21.7	17	14.4	50
	15.8	14.6	18.7	14	11.4	40
NOT AVAILABLE	12.8	11.6	15.7	11	8.4	30
TOOLING STATUS	E	D	C	B	A	POS

GENERAL TOLERANCE
 一般公差

10 ≥ ±0.2
 30 ≥ >10: ±0.25
 100 ≥ >30: ±0.3
 ANGLES: ±3°

THIS DRAWING IS A CONTROLLED DOCUMENT.

DIMENSIONS: 単位: 耗 mm

TOLERANCES UNLESS OTHERWISE SPECIFIED: 一般公差

0 PLC ± -
 1 PLC ± -
 2 PLC ± -
 3 PLC ± -
 4 PLC ± -
 ANGLES ± -

FINISH 仕上

MATERIAL 材料

DWN
 CHK
 APVD
 PRODUCT SPEC 製品規格
 APPLICATION SPEC 取付適用規格
 WEIGHT

NAME 名称
 HARD TRAY ASSY
 FH 0.6BTB CONNECTOR
 PLUG 5H W/G-PLATE

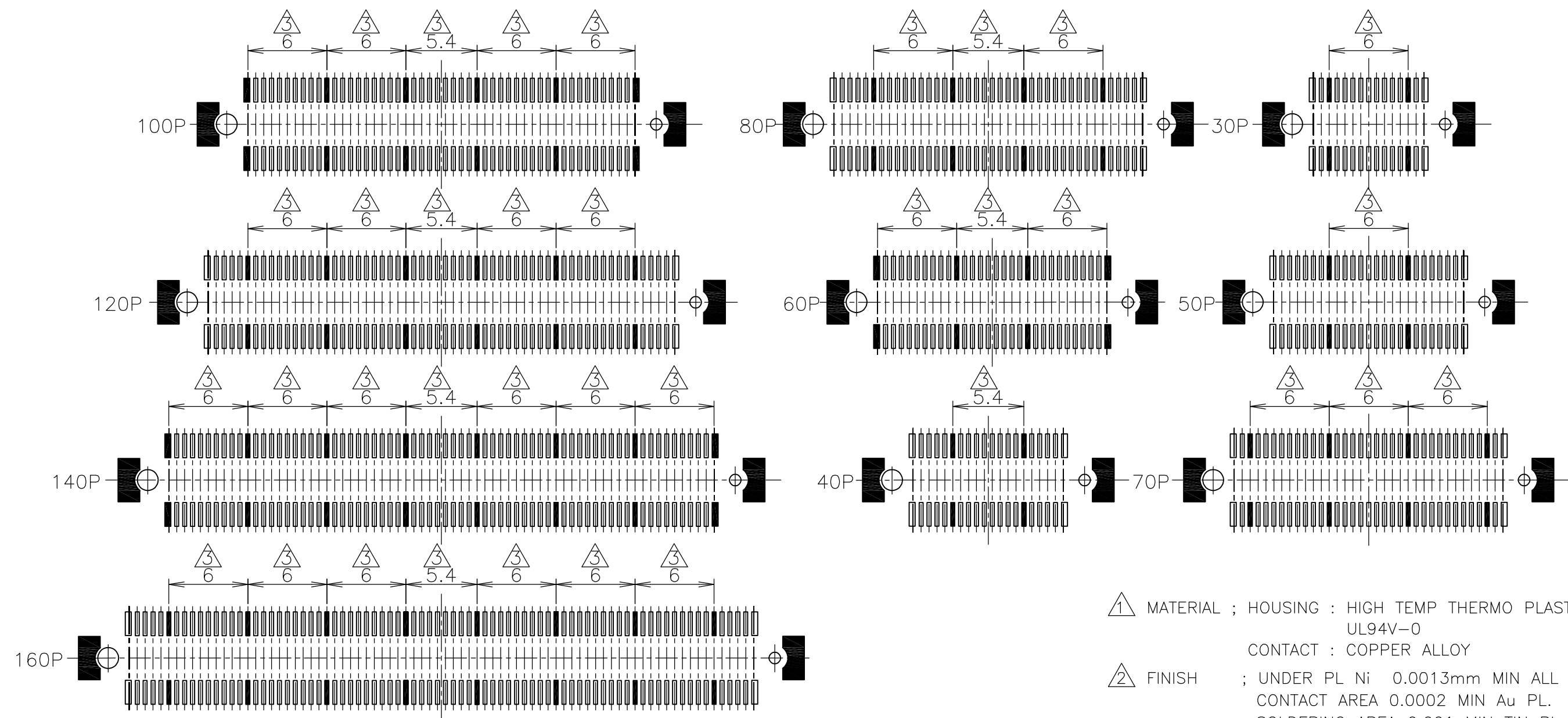
SIZE A3
 CAGE CODE 00779
 DRAWING NO. 番号 C-5353471
 RESTRICTED TO

CUSTOMER DRAWING
 SCALE 尺度 4:1
 SHEET 2 OF 3
 REV A1

STE TE Connectivity

THIS DRAWING IS UNPUBLISHED. RELEASED FOR PUBLICATION AUG, 1996.
 © COPYRIGHT 1996 By - ALL RIGHTS RESERVED.

LOC	DIST	REVISIONS		
J		P	LTR	DESCRIPTION
		-		SEE SHEET 1
			DATE	DWN
			-	-
			APVD	-



- ① MATERIAL ; HOUSING : HIGH TEMP THERMO PLASTIC UL94V-0
CONTACT : COPPER ALLOY
- ② FINISH ; UNDER PL Ni 0.0013mm MIN ALL OVER.
CONTACT AREA 0.0002 MIN Au PL.
SOLDERING AREA 0.001 MIN TIN PL.
- ③ ■ THIS POSITION IS GROUND CIRCUIT.

GENERAL TOLERANCE
 一般公差
 10 ≥ ±0.2
 30 ≥ >10: ±0.25
 100 ≥ >30: ±0.3
 ANGLES: ±3°

THIS DRAWING IS A CONTROLLED DOCUMENT.		DWN	STE TE Connectivity		
DIMENSIONS: 单位: 耗 mm		CHK			
TOLERANCES UNLESS OTHERWISE SPECIFIED: 一般公差		APVD	NAME 名称		
0 PLC ± -		PRODUCT SPEC 製品規格	HARD TRAY ASSY		
1 PLC ± -		APPLICATION SPEC 取付適用規格	FH 0.6BTB CONNECTOR		
2 PLC ± -		WEIGHT	SIZE	CAGE CODE	DRAWING NO 番号
3 PLC ± -		CUSTOMER DRAWING	A3	00779	G-5353471
4 PLC ± -			SCALE 尺度	3:1	SHEET 3 OF 3
ANGLES ± -					
FINISH 仕上					
MATERIAL 材料					

单击下面可查看定价，库存，交付和生命周期等信息

[>>TE Connectivity\(泰科\)](#)