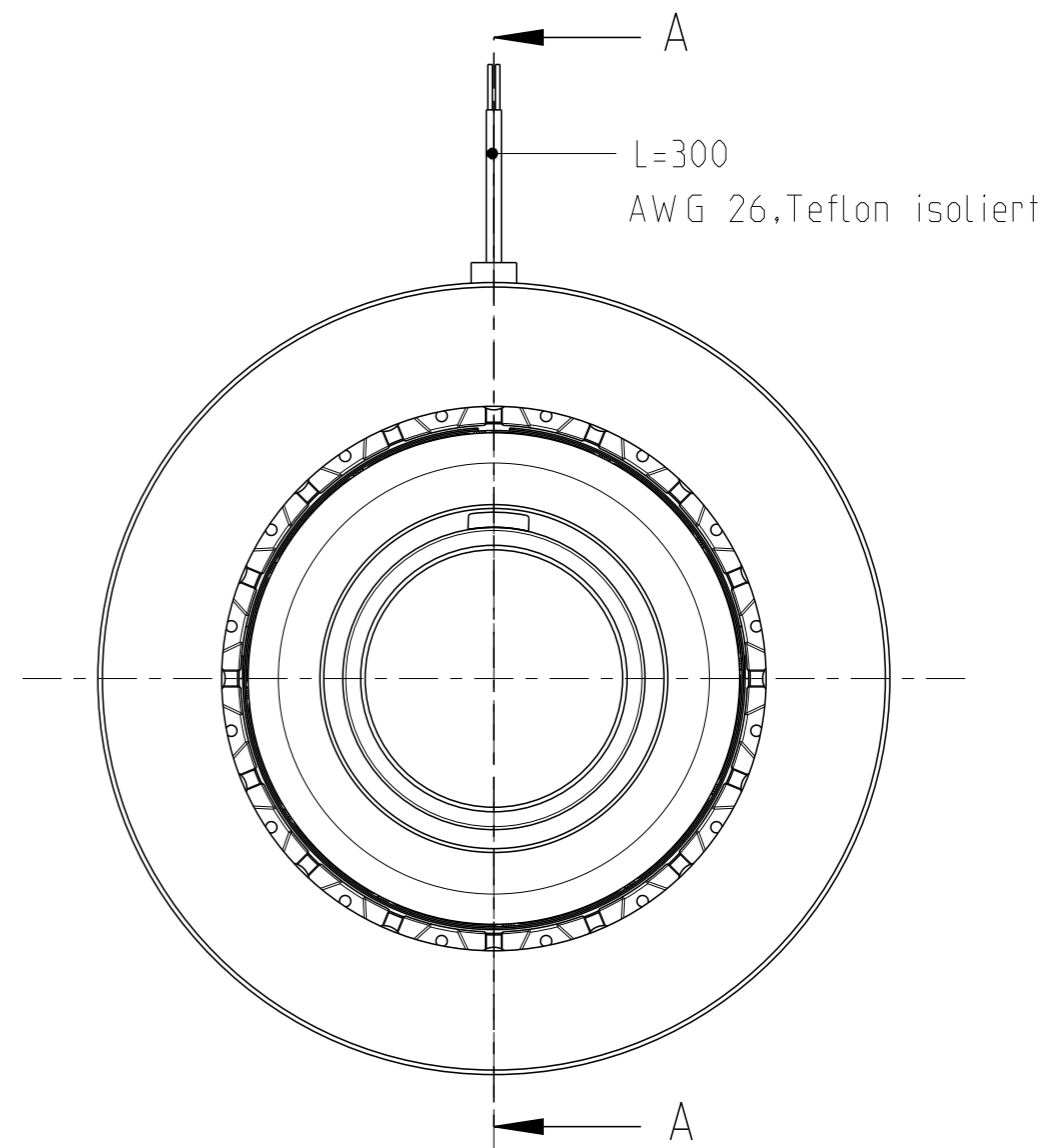
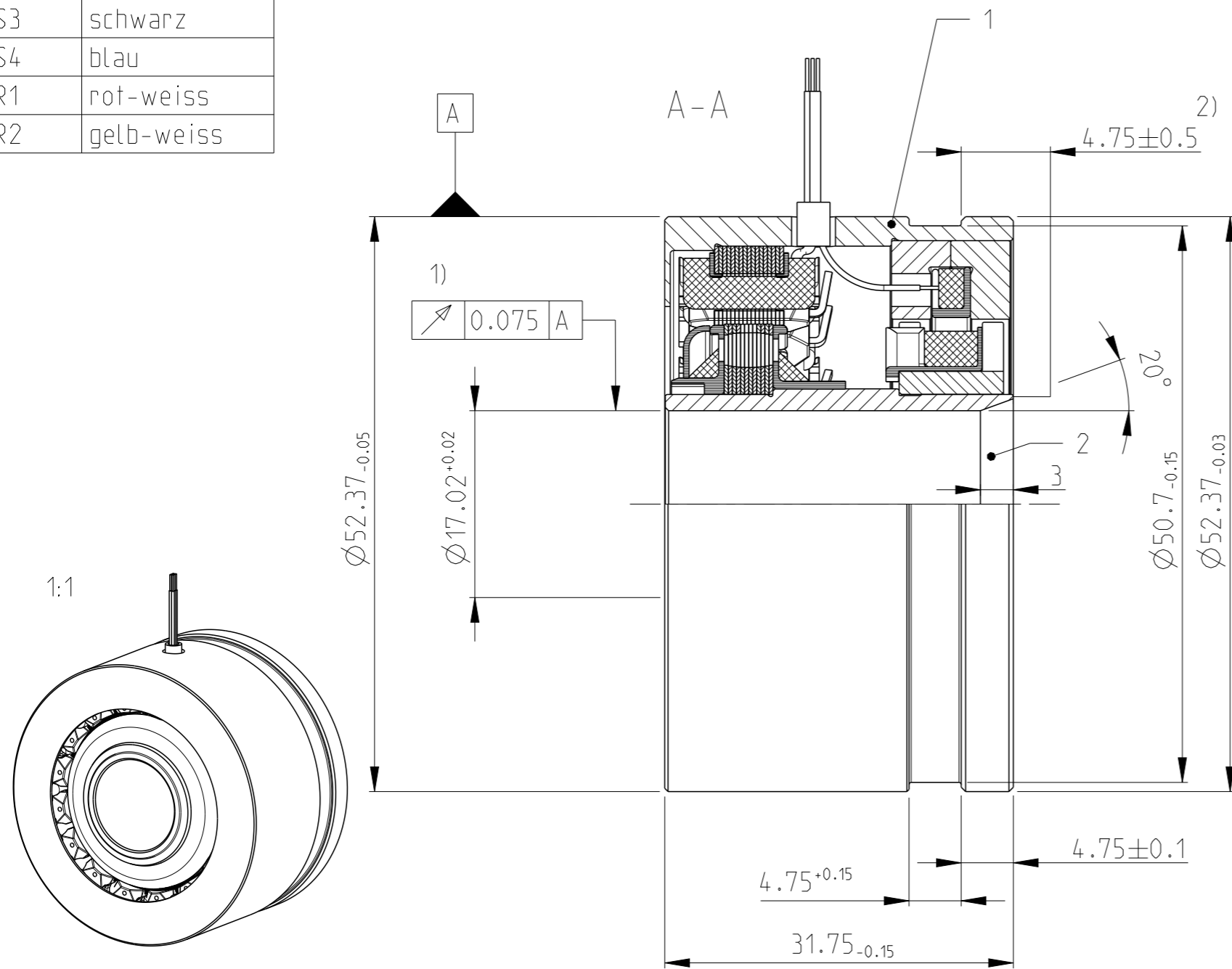


REVISIONS

P	LTR	DESCRIPTION	DATE	DWN	APVD
	A2	INITIAL RELEASE	01JULY2015	GCM	PL

Signal	Aderfarbe
S1	rot
S2	gelb
S3	schwarz
S4	blau
R1	rot-weiss
R2	gelb-weiss



Ersetzt / replace V23401-T8002-B802

1) Gesamtschlag im eingebauten Zustand  
 2) Axialversatz

ITEM NO	PARTNUMBER	DESCRIPTION	ITEM NO
1	1-1824344-0	Rotor kpl. / Bauform B8 (12N)	2
1	1-1824213-0	Gehäuse kpl. / Bauform T8	1
1-1824452-0	PARTNUMBER	DESCRIPTION	ITEM NO
REVISION OF EACH ASSY NO. (WHEN BLANK, USE DWG. REVISION)			
PARTS LIST			

THIS DRAWING IS A CONTROLLED DOCUMENT.

DIMENSIONS:	TOLERANCES UNLESS OTHERWISE SPECIFIED:
mm	0 PLC ±
	1 PLC ±
	2 PLC ±
	3 PLC ±
	4 PLC ±
	ANGLES ±
MATERIAL	FINISH
-	-
-	-

DWN	01JULY2015
CHK	GANESH C M
APVD	01JULY2015
PRODUCT SPEC	P. LERCHENFELD
APPLICATION SPEC	P. LERCHENFELD
WEIGHT	-
Customer Drawing	

<b>STE</b> TE Connectivity	
NAME Massbild Hohlwellendrehmelder Dimensional Drawing Resolver V23401-T8002-B802	
SIZE	RESTRICTED TO
A3	-
CAGE CODE	DRAWING NO
00779	6-1393048-0
SCALE	SHEET
2:1	1 OF 1
REV	A2

单击下面可查看定价，库存，交付和生命周期等信息

[>>TE Connectivity\(泰科\)](#)