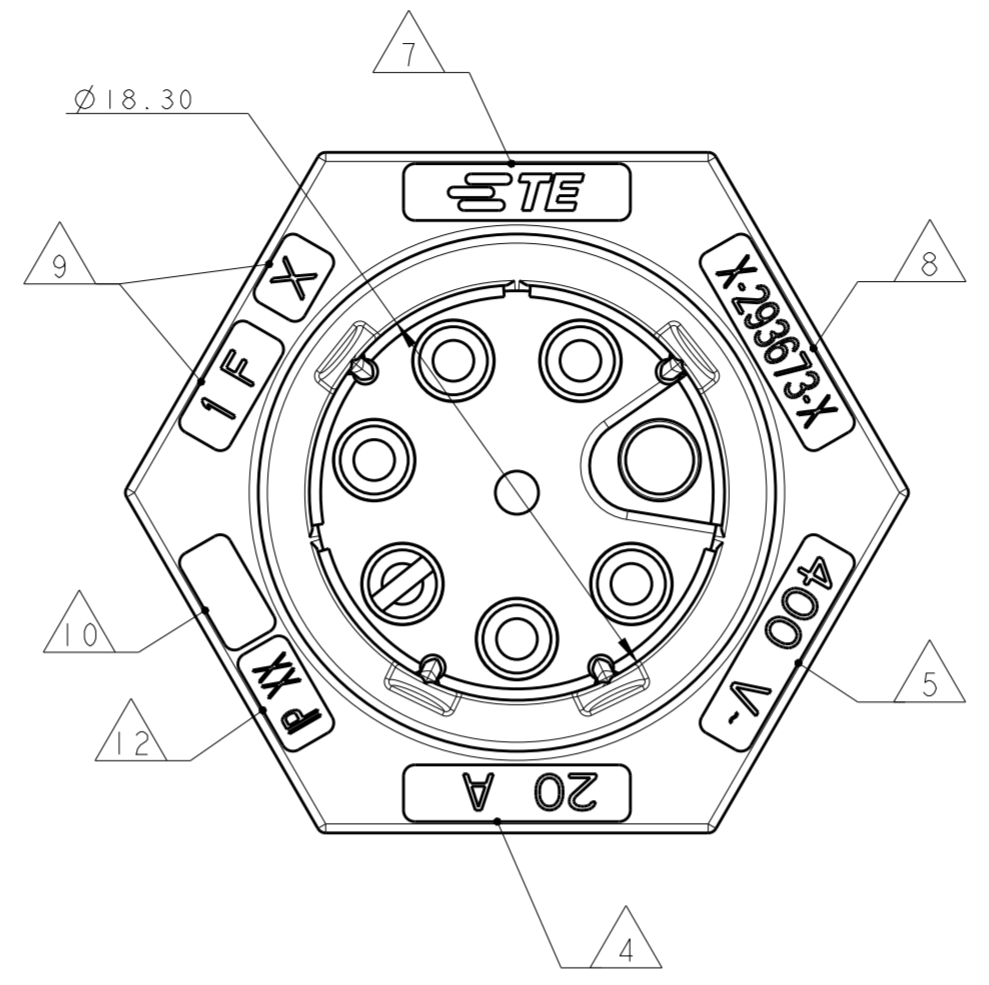
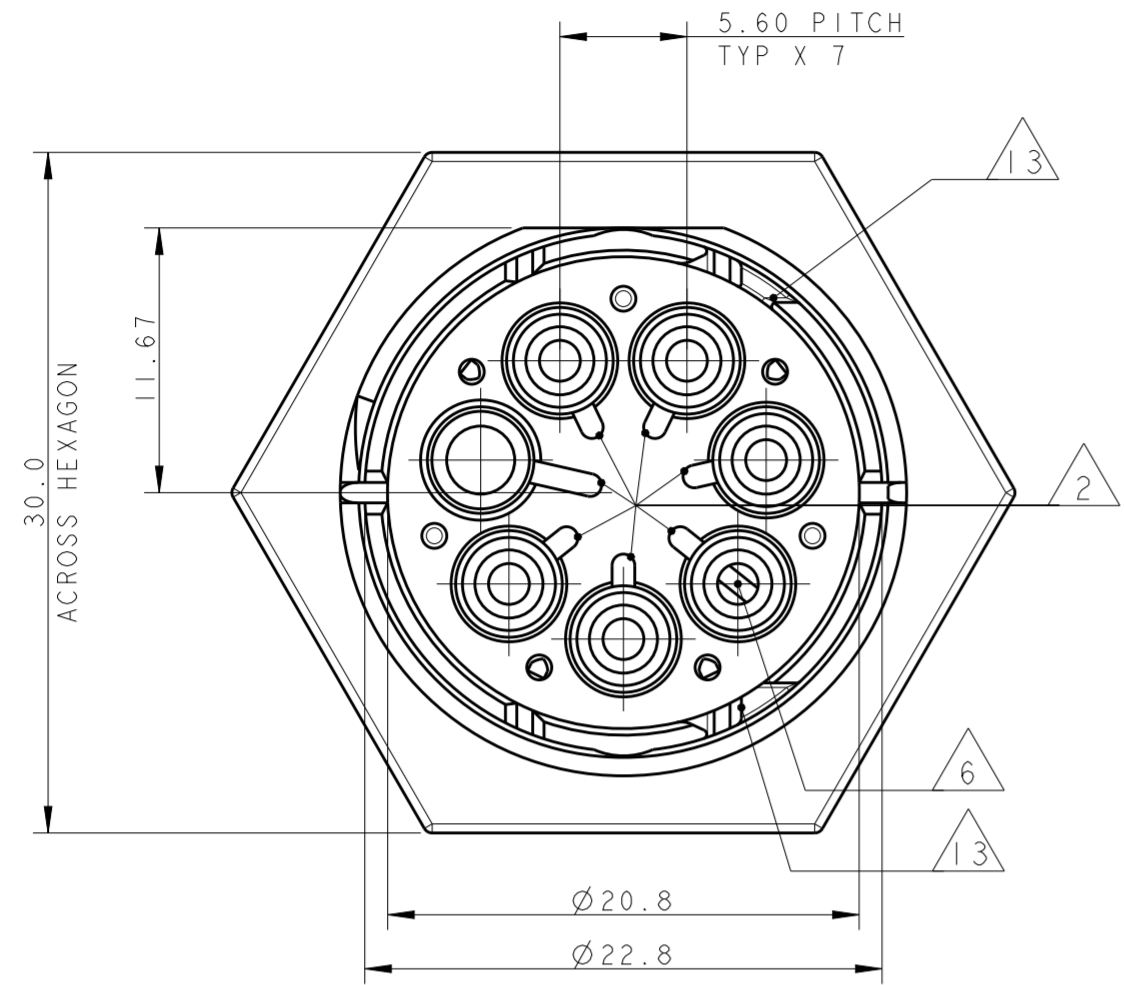
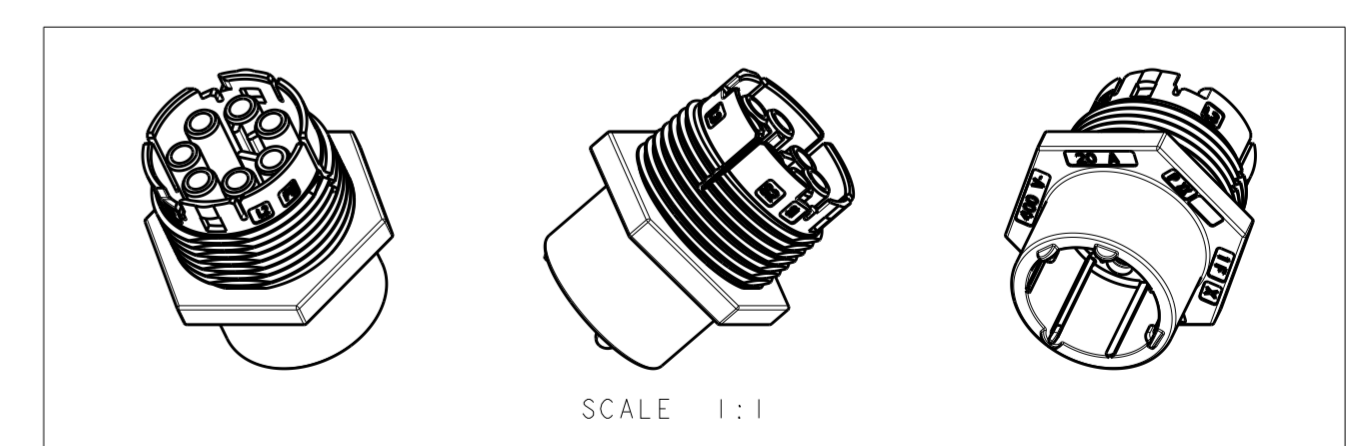
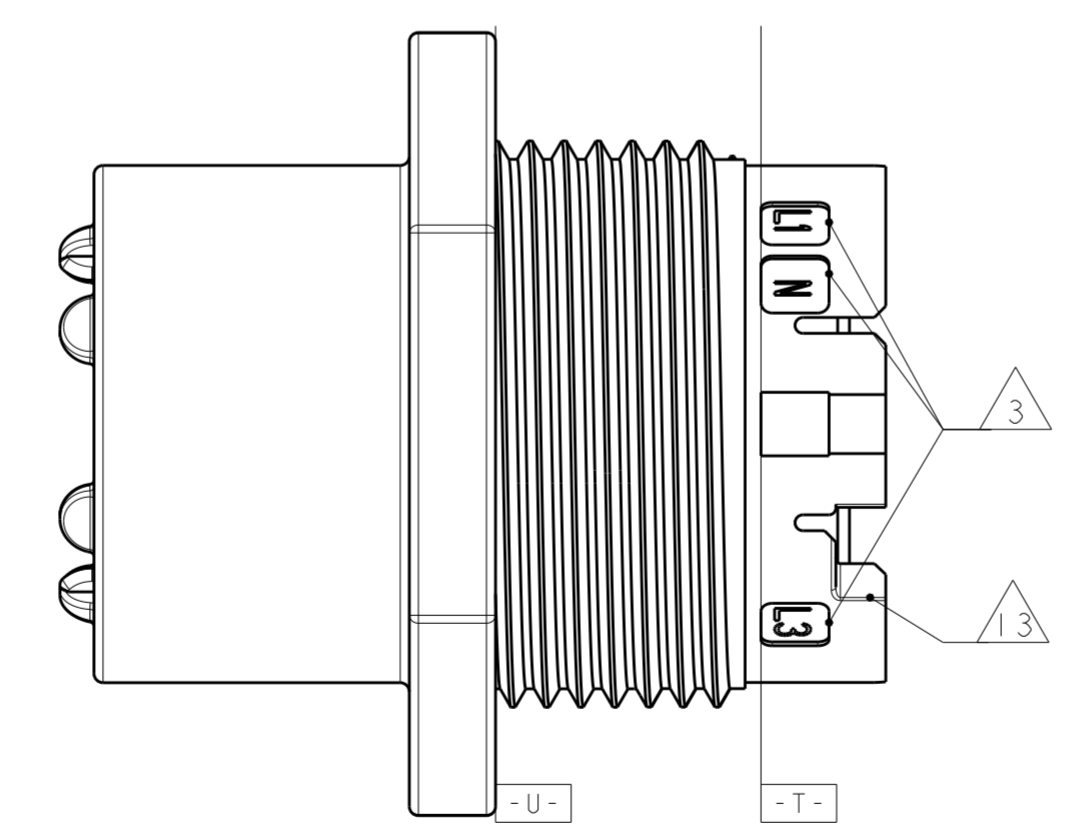
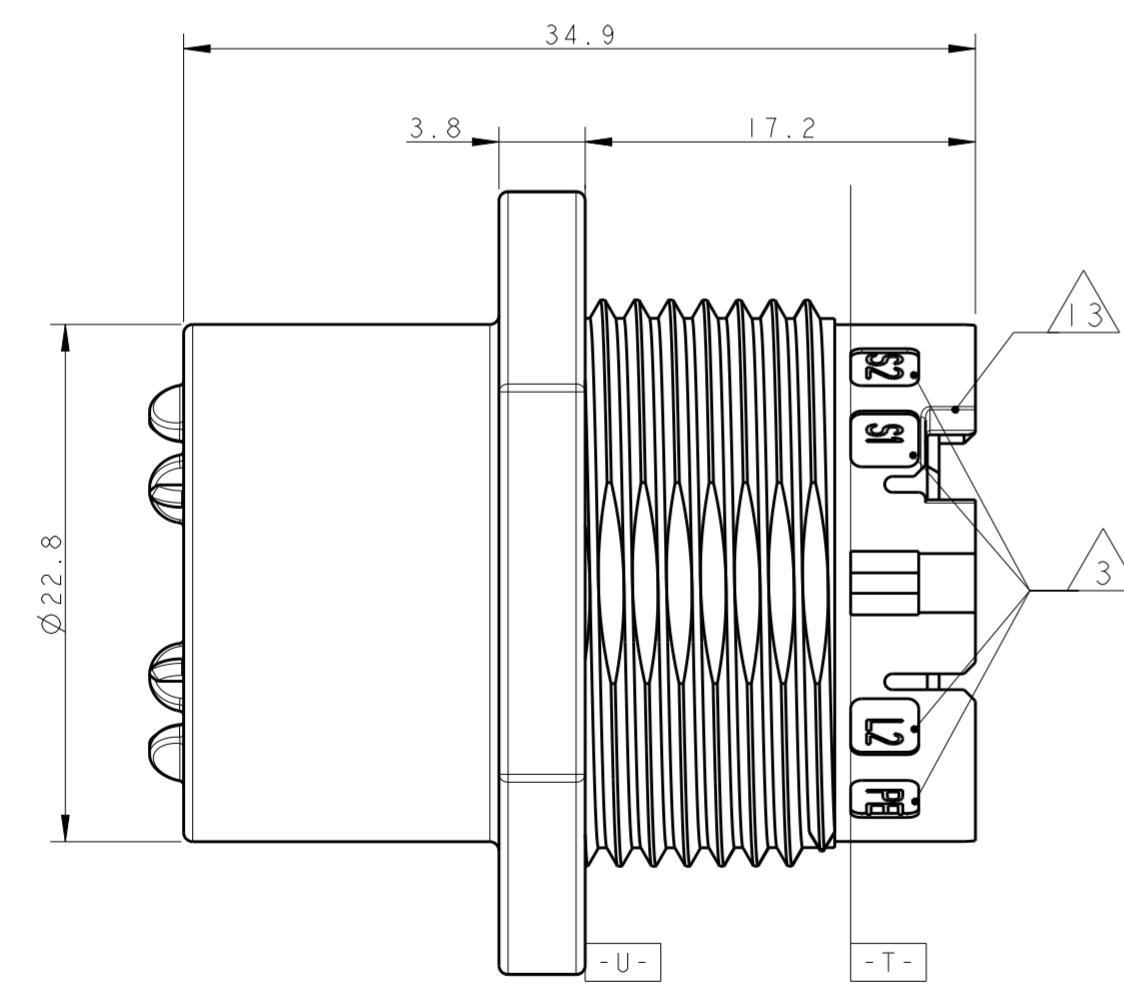



THIS DRAWING IS UNPUBLISHED. RELEASED FOR PUBLICATION 2011
 © COPYRIGHT 2011 BY - ALL RIGHTS RESERVED.

LOC	DIST	REVISIONS					
		P	LTR	DESCRIPTION	DATE	DWN	APVD
		7		REVISED MARKINGS	17SEP2013	KR	JC
		A		PARTS RELEASED FOR PRODUCTION	13NOV2013	KR	JC
		C		ECR-15-011011	27JUL2015	RS	PO
		CI		REVISED PER ECR-18-006945	30MAY2018	NG	MZ



- NOTES:
- 1 MATERIAL: PA GF (NATURAL AND BLACK COLOUR)
 - 2 ALL POLARIZATION KEYS SHOWN FOR REF ONLY
 - 3 WAYS I.D.
 - 4 CURRENT RATING
 - 5 VOLTAGE RATING
 - 6 RIB CLOSING CAVITIES BY CHANGE OVER
 - 7 TE LOGO
 - 8 TE PART NUMBER
 - 9 DATA CODE AND CAVITY I.D.
 - 10 AREA FOR AGENCIES APPROVAL LOGO
- 11) SEE C-DRAWING 293682 (LOCKING CAP) TO GET IP 40
- 12 IP CODE
 - 13 SLOTS TO ALLOW DELATCHING TOOL OPERATION. FOR DEALTCHING TOOL AND DOPERATION REFER TO APPLICATION SPECIFICATION



THIS DRAWING IS A CONTROLLED DOCUMENT.		DWN A. BERNARDI 31MAR2011	 TE Connectivity	
DIMENSIONS: mm		CHK M. ZUCCA 31MAR2011		
TOLERANCES UNLESS OTHERWISE SPECIFIED:		APVD G. TURCO 31MAR2011	NAME SKT HOUSING 6 POLES PANEL MOUNT NECTOR M-LINE UNSEALED VERSION	
0 PLC ± 1 PLC ±0.3 2 PLC ±0.20 3 PLC ± 4 PLC ± ANGLES ±3° FINISH		PRODUCT SPEC 108-20324	SIZE 114-20169	RESTRICTED TO
MATERIAL		APPLICATION SPEC 114-20169	WEIGHT -	SCALE 3:1
NOTE 1		Customer Drawing	SIZE A20779	DRAWING NO C-293673
			SCALE 3:1	SHEET 1 OF 3
				REV CI

THIS DRAWING IS UNPUBLISHED. RELEASED FOR PUBLICATION 2011
 © COPYRIGHT 2011 BY - ALL RIGHTS RESERVED.

REVISIONS							
LOC	DIST	P	LTR	DESCRIPTION	DATE	DWN	APVD
		-		SEE SHEET 1			

POLARIZATION TYPES

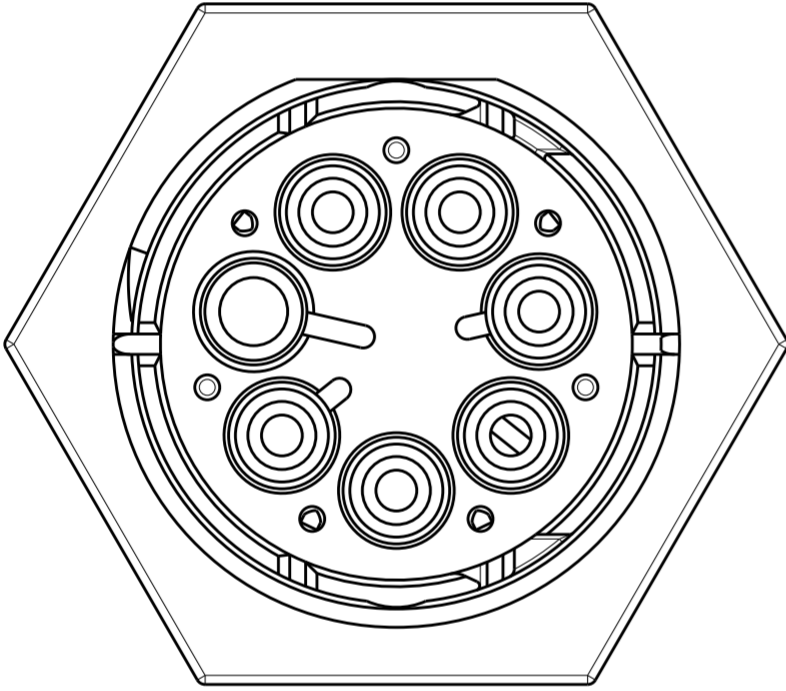
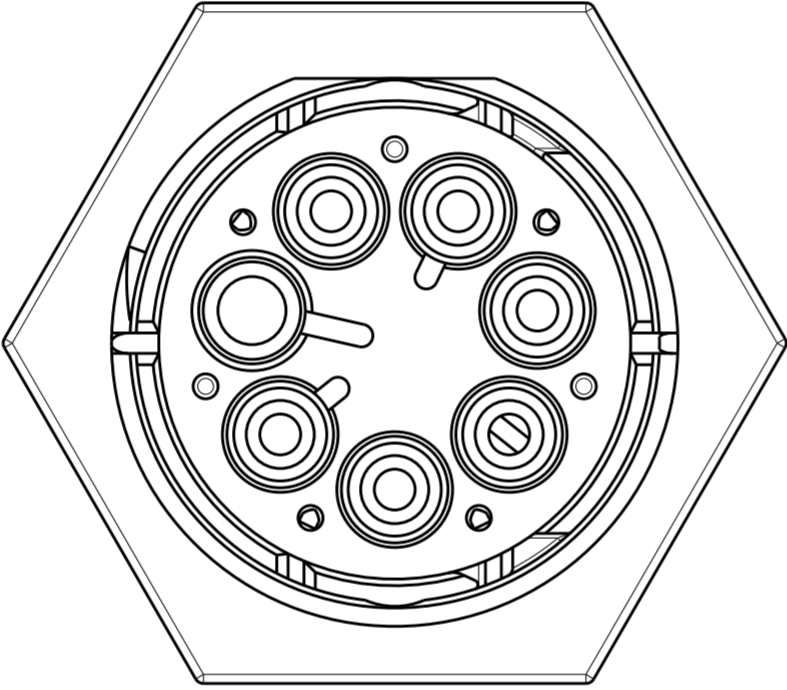
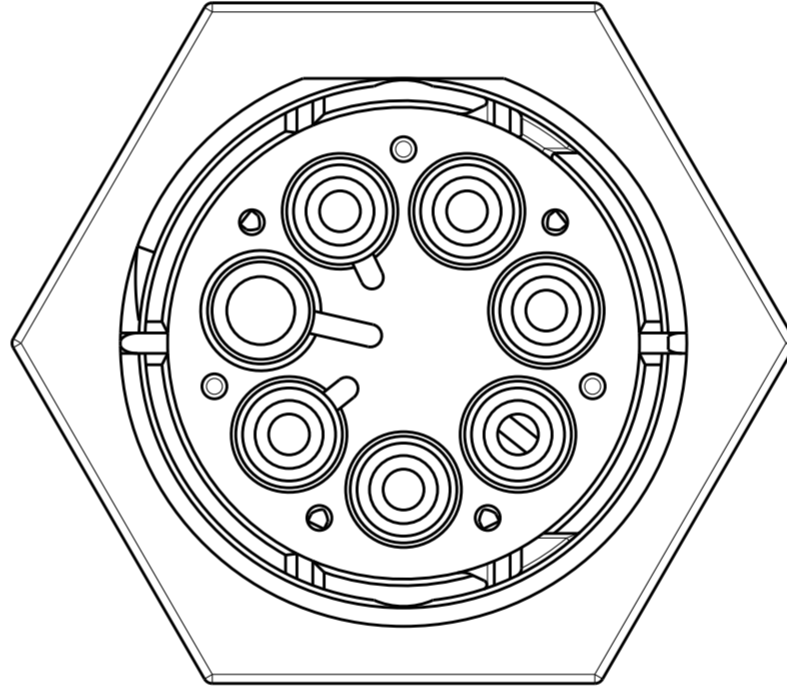




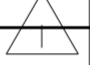


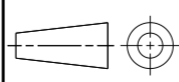
POLARIZATION TYPE "C"	POLARIZATION TYPE "B"	POLARIZATION TYPE "C"
		
PNs 0-293673-3 AND 1-293673-3	PNs 0-293673-4 AND 1-293673-4	PNs 0-293673-5 AND 1-293673-5

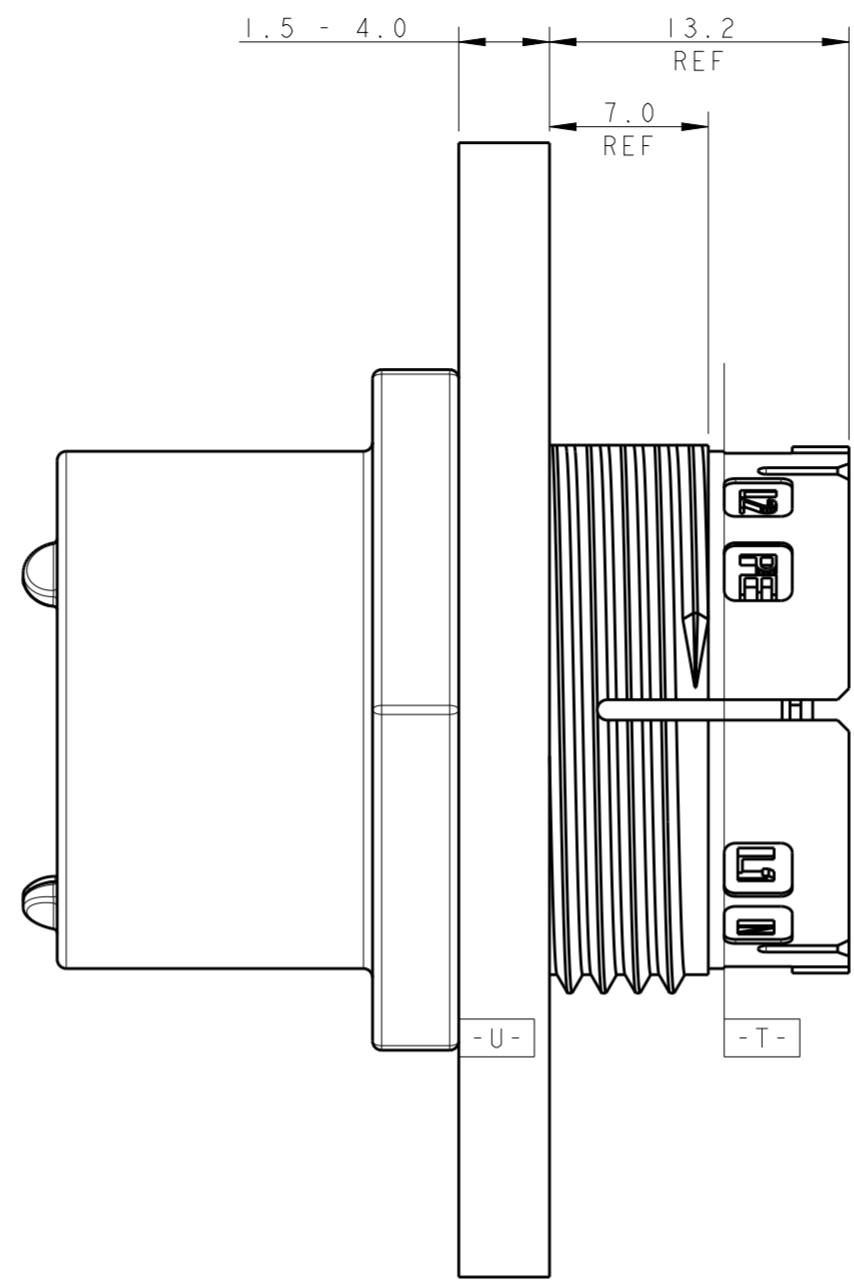
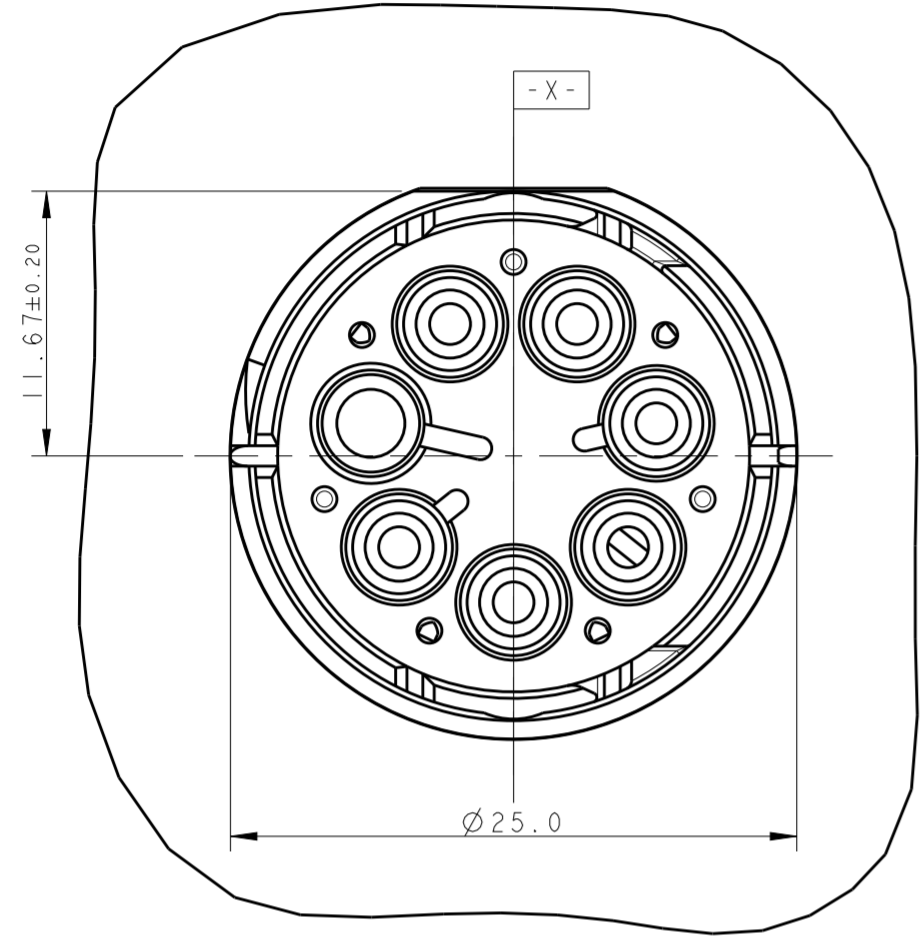
TABLE 1					
NOTE	POL. KEYING	COLOUR	DESCRIPTION	REV.	P/N
OBSOLETE		E	BLACK SOCKET HSG 6 POLES PANEL MOUNT NECTOR* M-LINE	A	1-293673-5
		D	BLACK SOCKET HSG 6 POLES PANEL MOUNT NECTOR* M-LINE	A	1-293673-4
OBSOLETE		C	BLACK SOCKET HSG 6 POLES PANEL MOUNT NECTOR* M-LINE	A	1-293673-3
		E	NATURAL SOCKET HSG 6 POLES PANEL MOUNT NECTOR* M-LINE	A	0-293673-5
		D	NATURAL SOCKET HSG 6 POLES PANEL MOUNT NECTOR* M-LINE	A	0-293673-4
		C	NATURAL SOCKET HSG 6 POLES PANEL MOUNT NECTOR* M-LINE	A	0-293673-3

THIS DRAWING IS A CONTROLLED DOCUMENT.		DWN A. BERNARDI 31MAR2011	 TE Connectivity	
DIMENSIONS: mm		CHK M. ZUCCA 31MAR2011		
TOLERANCES UNLESS OTHERWISE SPECIFIED:		APVD G. TURCO 31MAR2011	NAME SKT HOUSING 6 POLES PANEL MOUNT NECTOR M-LINE UNSEALED VERSION	
		PRODUCT SPEC 108-20324	SIZE CAGE CODE DRAWING NO RESTRICTED TO	
MATERIAL		APPLICATION SPEC 114-20169	A200779 C-293673	
NOTE 1		WEIGHT -	SCALE 3:1 SHEET 2 OF 3 REV C1	
		Customer Drawing		

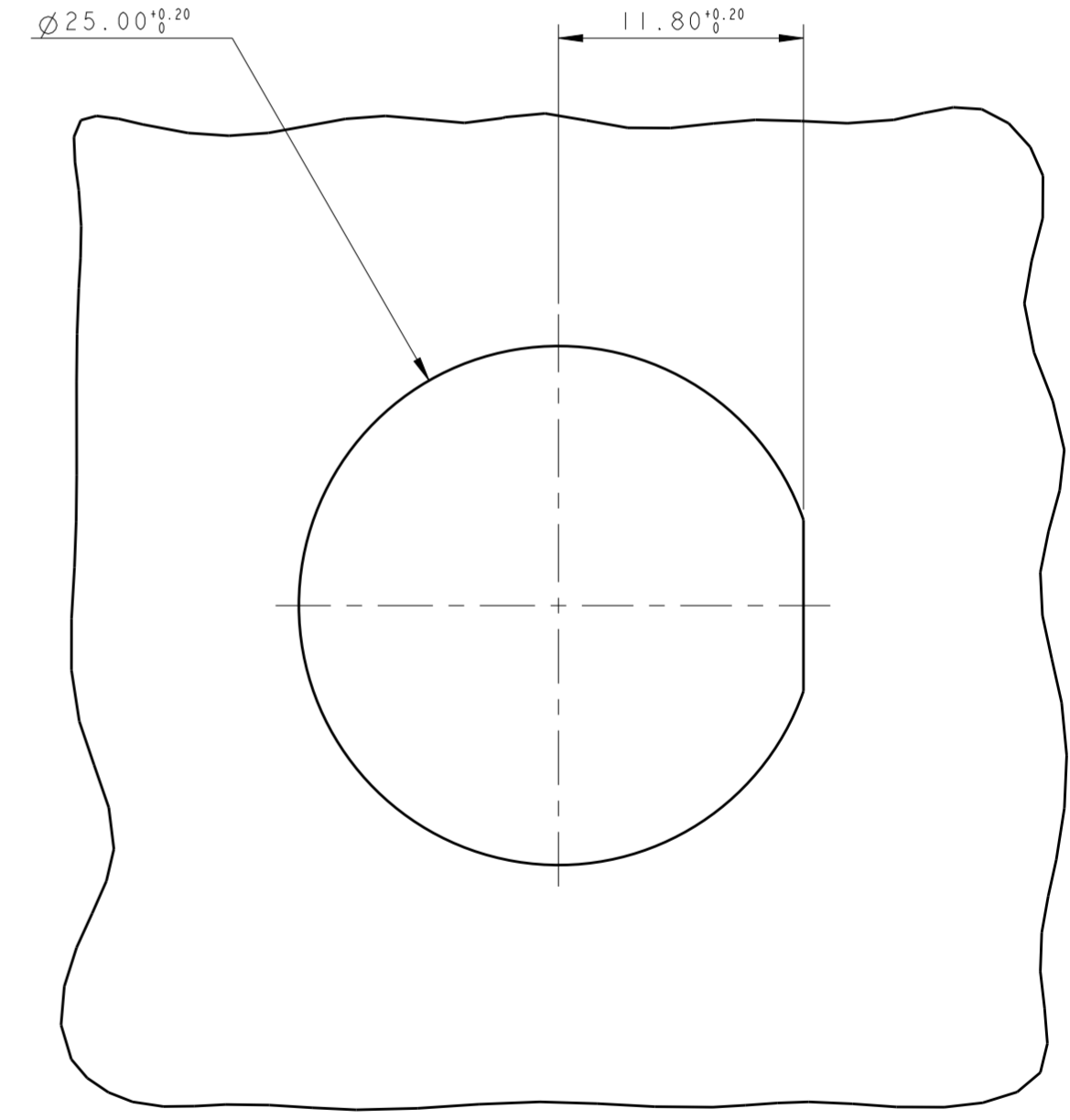
THIS DRAWING IS UNPUBLISHED. RELEASED FOR PUBLICATION 2011
 © COPYRIGHT 2011 BY - ALL RIGHTS RESERVED.

LOC		DIST		REVISIONS			
P	LTR	DESCRIPTION	DATE	DWN	APVD		
-	-	SEE SHEET 1	-	-	-		

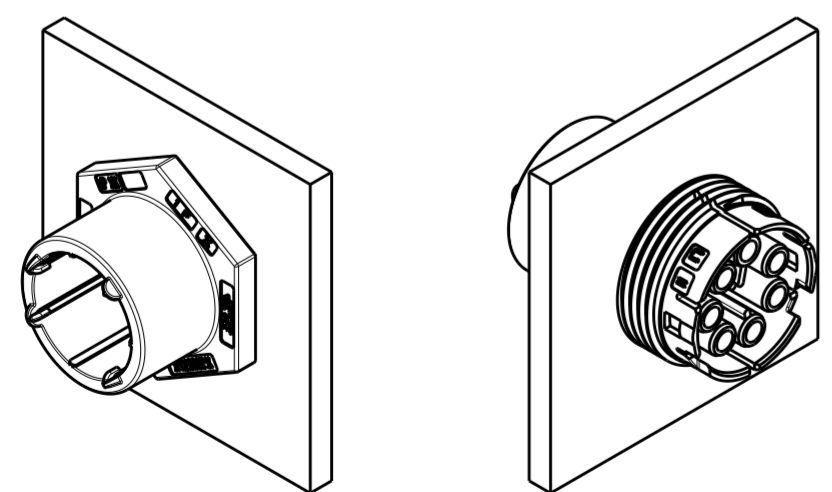
PN 293673-3 AS SHOWN



PANEL/WALL SUGGESTED LAYOUT



3D VIEWS,
FOR REFERENCE ONLY
PN 293673-3 AS SHOWN



SCALE 1:1

THIS DRAWING IS A CONTROLLED DOCUMENT.		DWN A. BERNARDI 31MAR2011	TE Connectivity	
DIMENSIONS: mm		CHK M. ZUCCA 31MAR2011		
TOLERANCES UNLESS OTHERWISE SPECIFIED:		APVD G. TURCO 31MAR2011	NAME SKT HOUSING 6 POLES PANEL MOUNT NECTOR M-LINE UNSEALED VERSION	
0 PLC ±	1 PLC ±0.3	PRODUCT SPEC 108-20324	SIZE A200779	CAGE CODE C-293673
2 PLC ±0.20	3 PLC ±	APPLICATION SPEC 114-20169	DRAWING NO	RESTRICTED TO
4 PLC ±	ANGLES ±3°	WEIGHT -	SCALE 3:1	SHEET 3 OF 3
MATERIAL	FINISH	NOTE 1	REV C1	
		Customer Drawing		

单击下面可查看定价，库存，交付和生命周期等信息

[>>TE Connectivity\(泰科\)](#)