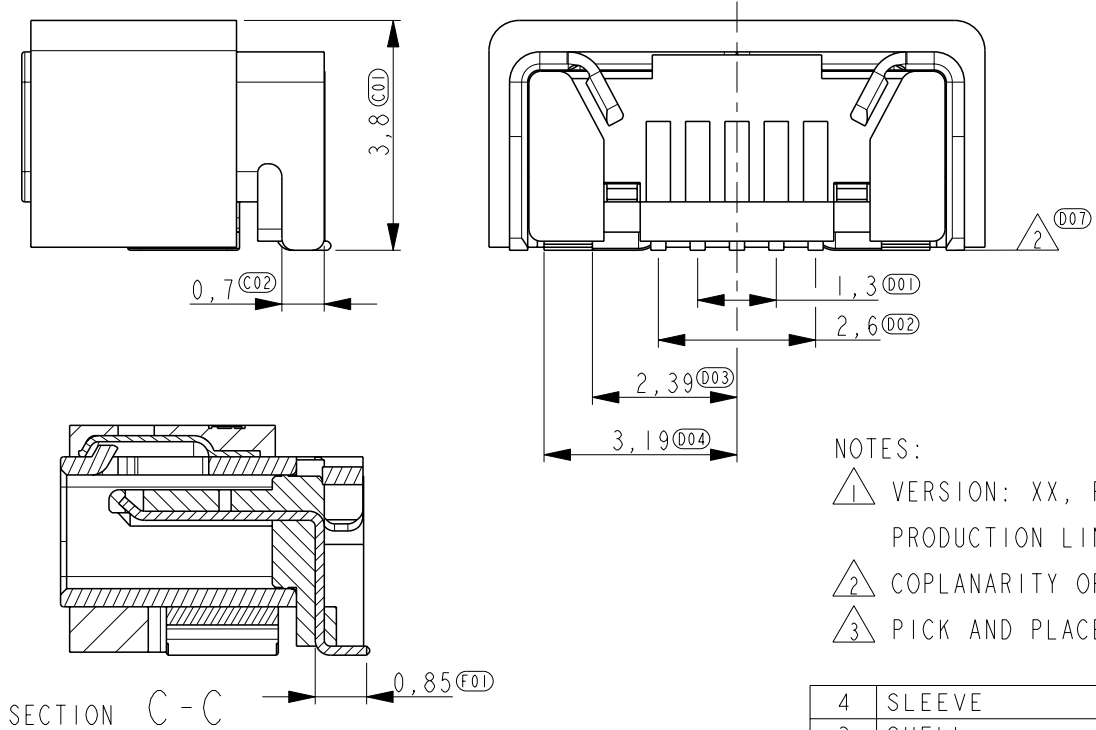
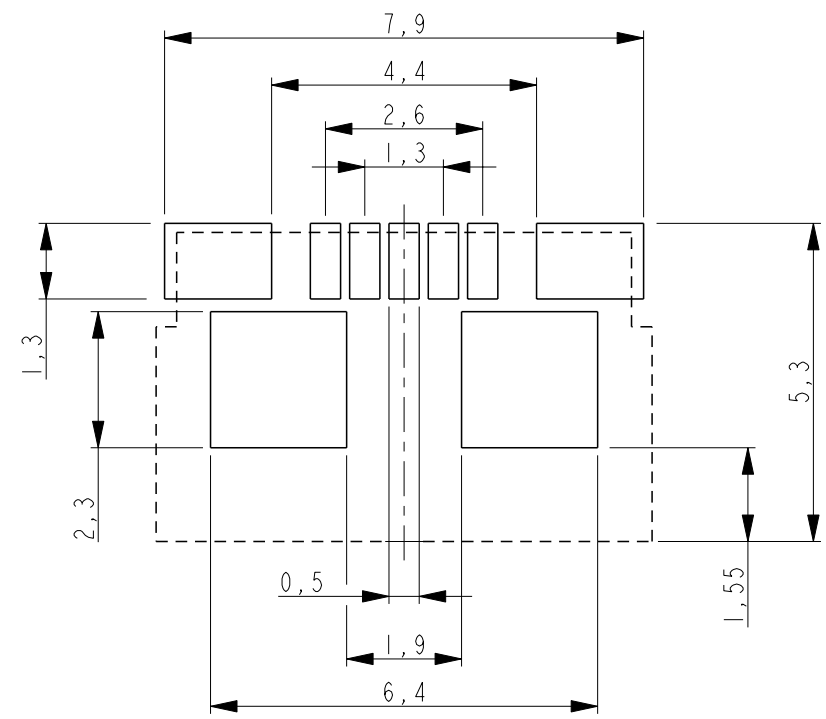
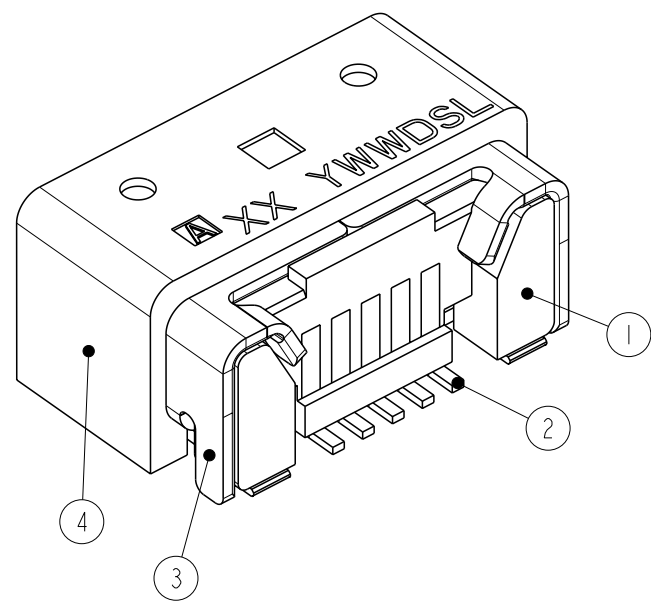
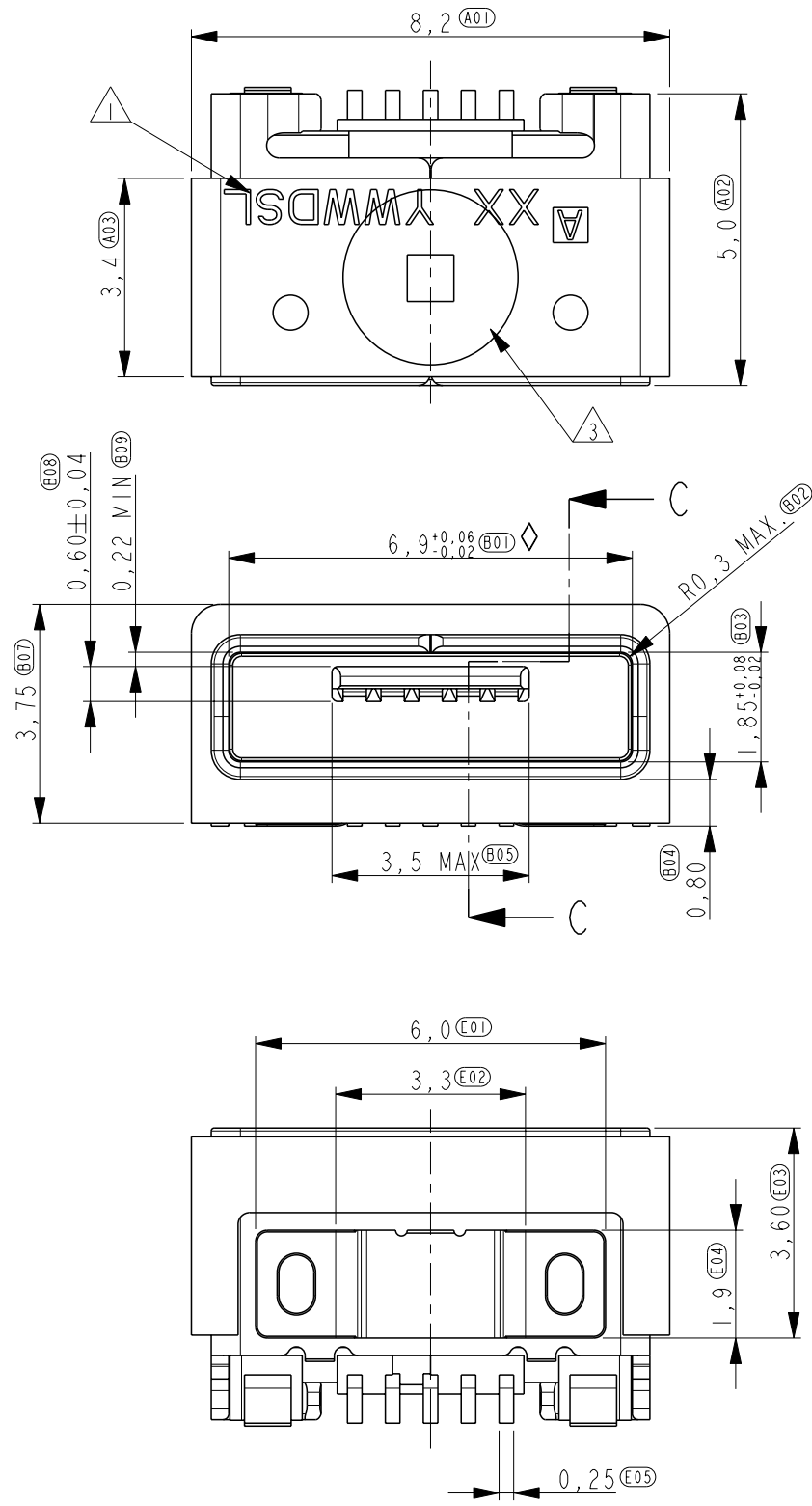


THIS DRAWING IS UNPUBLISHED. RELEASED FOR PUBLICATION 20
 © COPYRIGHT 20 BY - ALL RIGHTS RESERVED.

LOC		DIST		REVISIONS			
P	LTR	DESCRIPTION	DATE	DWN	APVD		
-	-	-	-	-	-		
A	ECR-12-012496	11JUL2012	JvH	DH			
B	ECR-12-014942	22AUG2012	WJ	DH			
B1	ECR-12-015266	28AUG2012	WJ	DH			
B2	ECR-13-013765	30AUG2013	JvH	DH			



NOTES:
 1 VERSION: XX, PRODUCTION DATE: YYWW, SHIFT CODE: S, PRODUCTION LINE NO: L.
 2 COPLANARITY OF 11 SOLDER SURFACES 0,08 MAX.
 3 PICK AND PLACE AREA Ø3

TE PN: 1551629-2
 TE PN FOR LOW MOQ: 1551629-3

THIS DRAWING IS A CONTROLLED DOCUMENT.

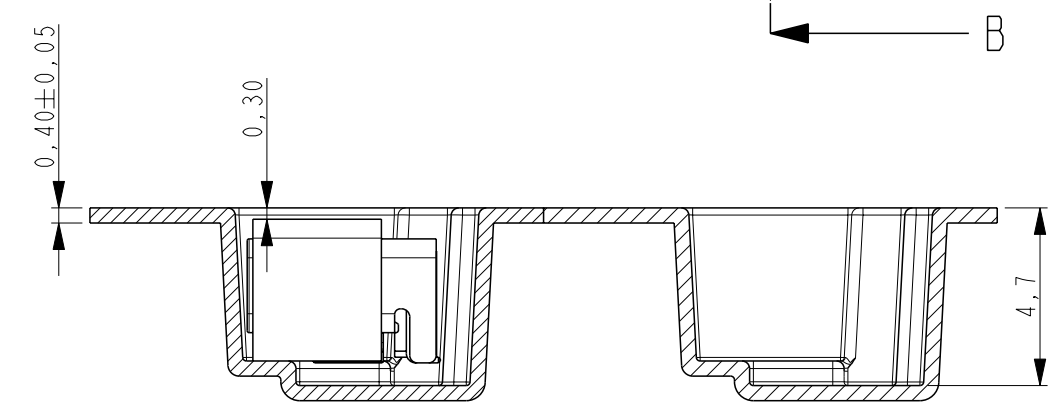
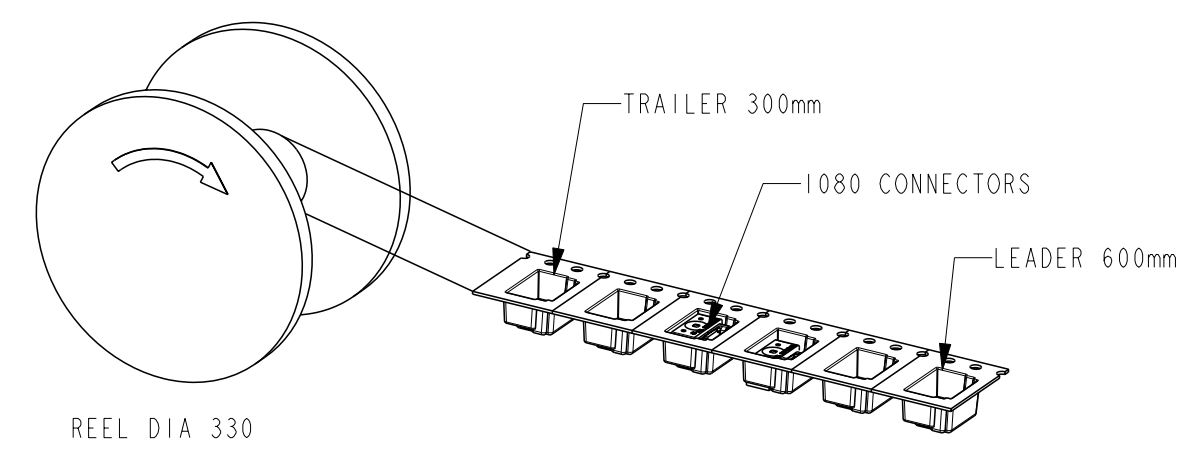
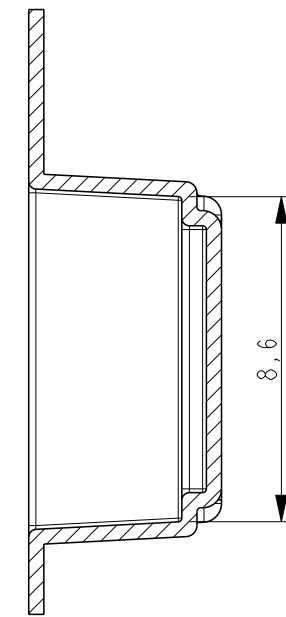
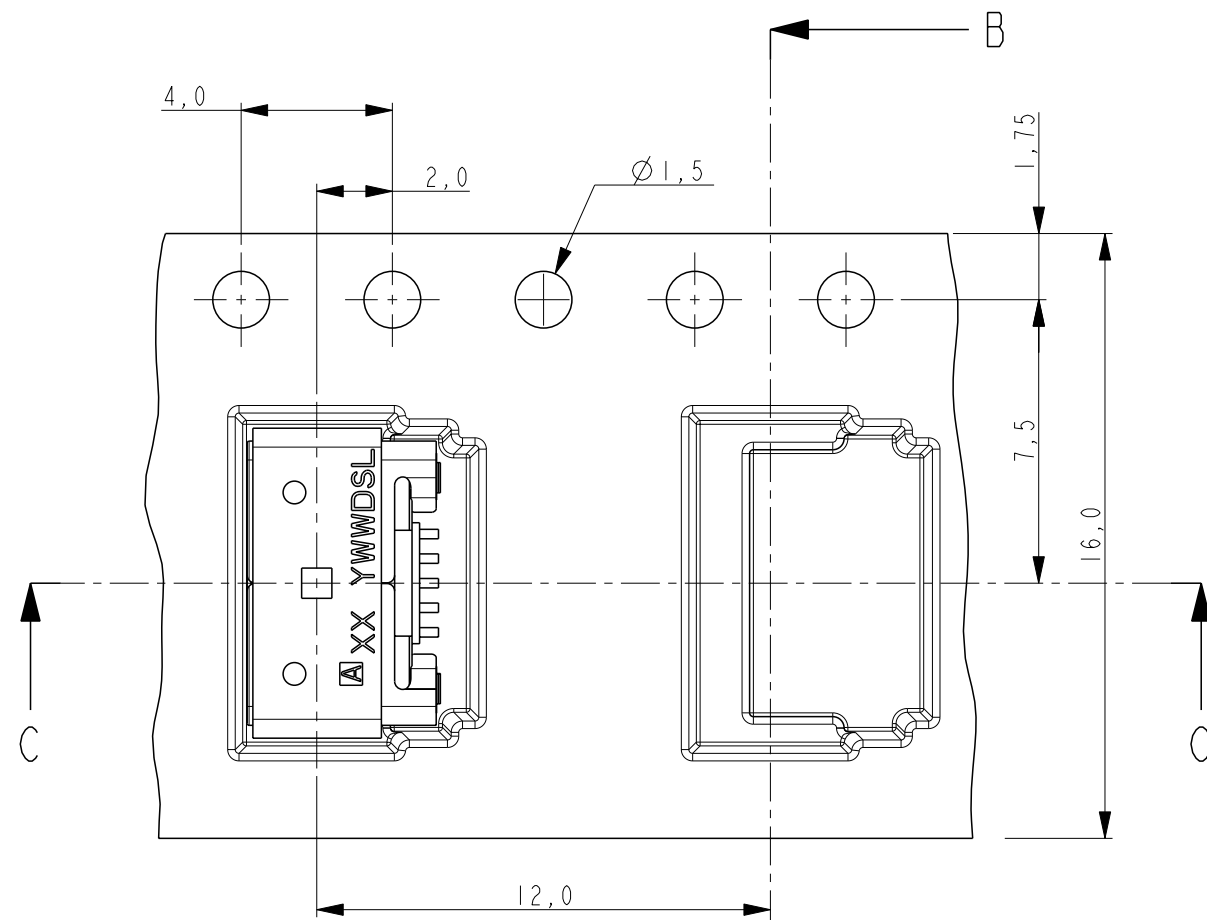
DIMENSIONS:		TOLERANCES UNLESS OTHERWISE SPECIFIED:	
mm			
0 PLC	±0,2		
1 PLC	±0,1		
2 PLC	±0,1		
3 PLC	±0,025		
4 PLC	±0,001		
ANGLES	±2°		
MATERIAL		FINISH	

ITEM NO.	DESCRIPTION	MATERIAL	FINISH
4	SLEEVE	LCP	
3	SHELL	STAINLESS STEEL	Tin over Nickel plating
2	CONTACT	COPPER ALLOY	Gold over Nickel plating
1	HOUSING	LCP	


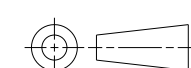
ITEM NO.	DESCRIPTION	MATERIAL	FINISH
DWN	04APR2010		
W. Jansen			
CHK	04APR2010		
W. Jansen			
APVD	04APR2010		
D. Halberstadt			
PRODUCT SPEC			
APPLICATION SPEC			
WEIGHT	0,33 gr		

NAME		RESTRICTED TO	
SPLASH-PROOF MICRO USB AB-TYPE			
0,8 mm OFFSET			
SIZE	CAGE CODE	DRAWING NO	
A3	00779	C=1551629	
Customer Drawing		SCALE	SHEET
		8:1	1 OF 3
		REV B2	

LOC	DIST	REVISIONS			
P	LTR	DESCRIPTION	DATE	DWN	APVD
-	-	SEE SHEET 1	-	-	-

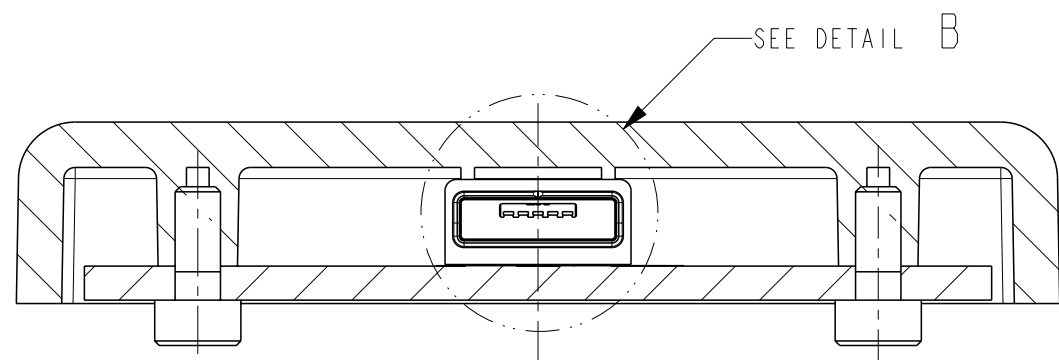


NOTES:
COVER, EMOSS TAPE AND REEL ACCODING EIA STANDARD 481-D

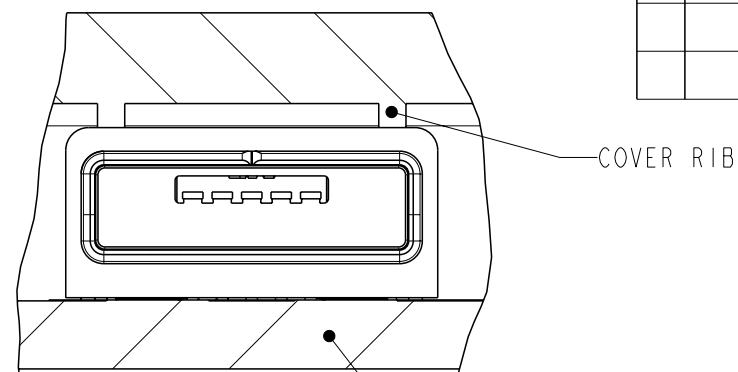
THIS DRAWING IS A CONTROLLED DOCUMENT.		DWN W. Jansen 04APR2010	 TE Connectivity NAME SPLASH-PROOF MICRO USB AB-TYPE 0,8 mm OFFSET				
DIMENSIONS: mm		CHK W. Jansen 04APR2010					
		APVD D. Halberstadt 04APR2010					
TOLERANCES UNLESS OTHERWISE SPECIFIED:		PRODUCT SPEC -					
MATERIAL -		FINISH -	APPLICATION SPEC -	SIZE A3	CAGE CODE 00779	DRAWING NO C=1551629	RESTRICTED TO -
Customer Drawing			WEIGHT 0,33 gr	SCALE 8:1	SHEET 2 OF 3	REV B2	

THIS DRAWING IS UNPUBLISHED. RELEASED FOR PUBLICATION 20
 © COPYRIGHT 20 BY - ALL RIGHTS RESERVED.

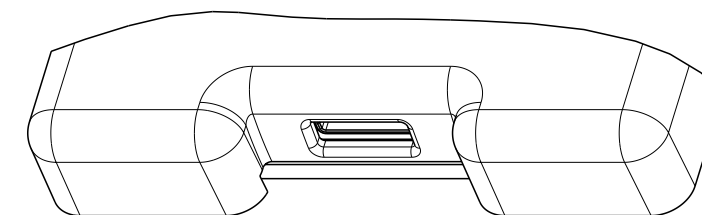
LOC	DIST	REVISIONS			
P	LTR	DESCRIPTION	DATE	DWN	APVD
-	-	SEE SHEET 1	-	-	-



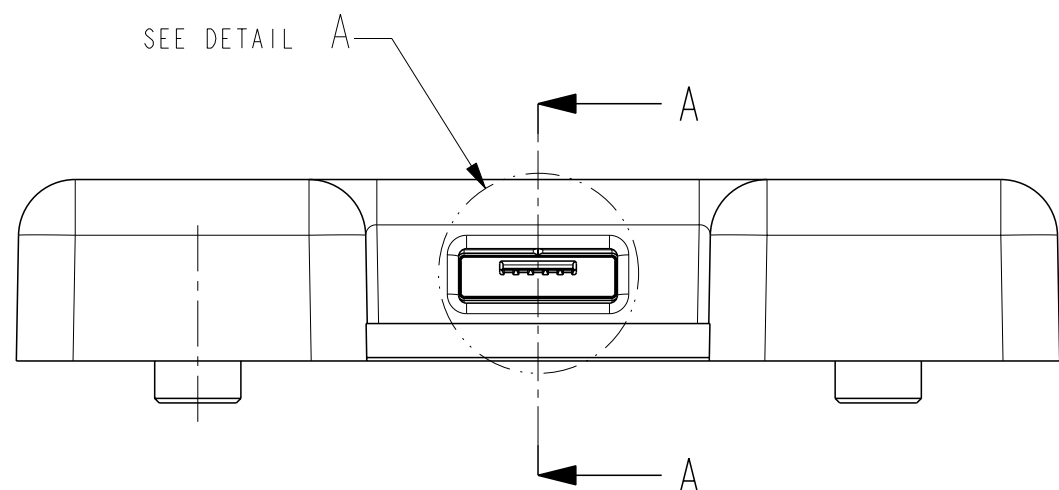
SECTION D-D



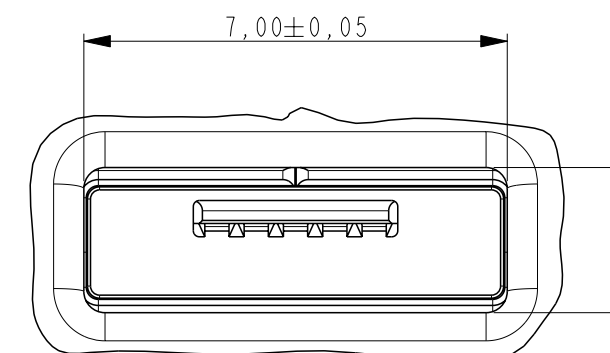
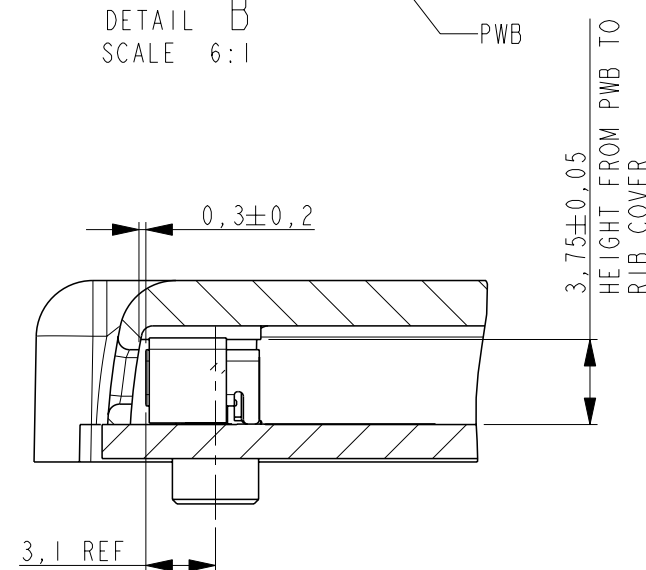
DETAIL B
SCALE 6:1



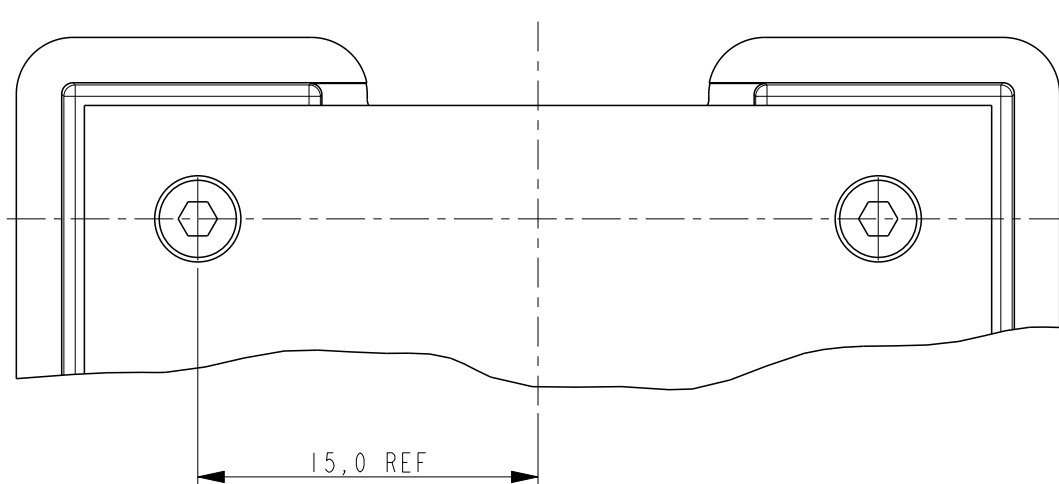
SCALE 2:1




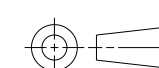
SECTION A-A



RECOMMENDED COVER HOLE SHAPE
DETAIL A
SCALE 8:1



RECOMMENDED PWB AND COVER ASSEMBLY

THIS DRAWING IS A CONTROLLED DOCUMENT.		DWN W. Jansen	04APR2010	 TE Connectivity NAME SPLASH-PROOF MICRO USB AB-TYPE 0,8 mm OFFSET	
DIMENSIONS: mm		CHK W. Jansen	04APR2010		
		APVD D. Halberstadt	04APR2010		
TOLERANCES UNLESS OTHERWISE SPECIFIED: 0 PLC ±0,2 1 PLC ±0,1 2 PLC ±0,1 3 PLC ±0,025 4 PLC ±0,001 ANGLES ±2°		PRODUCT SPEC	-		
MATERIAL		FINISH		APPLICATION SPEC	-
		WEIGHT		0,33 gr	SIZE A3
		Customer Drawing		SCALE 8:1	CAGE CODE 00779
				RESTRICTED TO	-
				SCALE 8:1	DRAWING NO C=1551629
				SHEET 3 OF 3	REV B2

单击下面可查看定价，库存，交付和生命周期等信息

[>>TE Connectivity\(泰科\)](#)