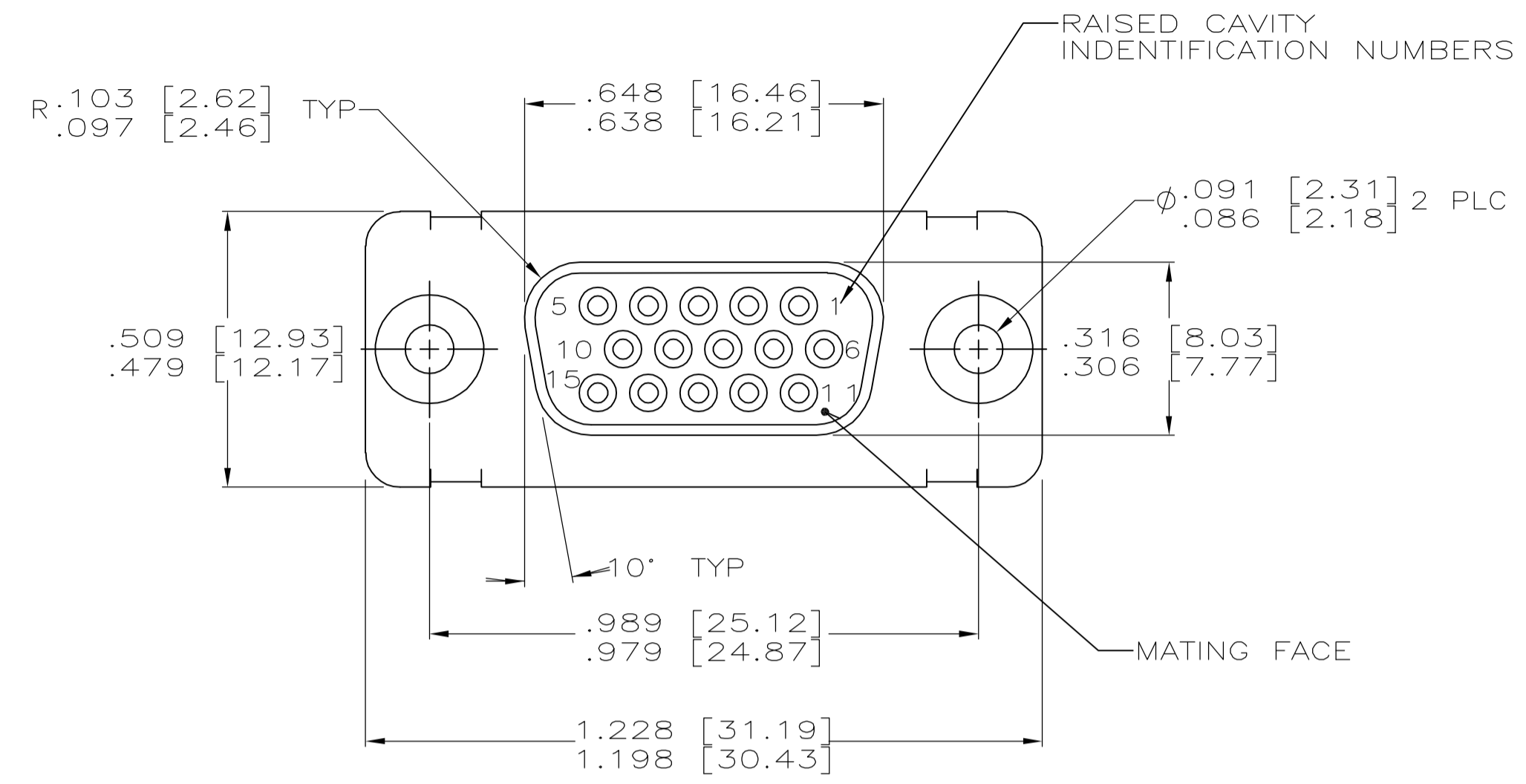


REVISONS		DATE	DWN	APVD
LOC	DIST	DESCRIPTION		
C	REV PER	ECO-06-018048	05OCT06	PY DM



CONTACT
 MIL P/N M39029/57-354
 AMP P/N 204351-1

1. THIS CONNECTOR ASSEMBLY IS SUPPLIED WITH METAL CONTACT RETENTION CLIPS INSTALLED IN THE INSERT ASSEMBLY.
2. THE CONNECTORS DESCRIBED IN THIS DOCUMENT MEET THE REQUIREMENTS OF MIL-C-24308 AND MATE WITH ANY PLUG CONNECTOR WITH THE SAME INSERT ARRANGEMENT.
3. THE PART NUMBER MARKED ON THE CONNECTOR DIFFERS FROM THE PART NUMBER ORDERED DUE TO THE MARKING REQUIREMENTS OF MIL-C-24308/2 (PART NUMBER MARKED ON CONNECTOR REPRESENTS CONNECTOR ASSEMBLY WITH CONTACTS). MARK WITH .047 [1.19]-.062 [1.57] HIGH CHARACTERS. FAR SIDE REFERS TO THE WIDE SIDE OF THE KEYSTONE. NEAR SIDE REFERS TO THE NARROW SIDE OF THE KEYSTONE. MARKING SHALL BE LOCATED AS FOLLOWS:
 - A. "M24308" ON FRONT SHELL, FAR SIDE.
 - B. SLASH SHEET AND DASH NUMBER ON REAR SHELL, FAR SIDE.
 - C. "AMP" AND DATE CODE ON FRONT SHELL, NEAR SIDE.
 - D. AMP PART NUMBER ON REAR SHELL, NEAR SIDE.

IF THE FRONT SHELL IS TOO SMALL FOR "AMP", AMP PART NUMBER AND DATE CODE, THEN SPLIT AS FOLLOWS:

- A. AMP PART NUMBER ON REAR SHELL, NEAR SIDE.
- B. "AMP" AND DATE CODE ON FRONT SHELL, NEAR SIDE.
- C. MILITARY PART NUMBER ON REAR SHELL, FAR SIDE.

4. POINT OF ELECTRICAL ENGAGEMENT - AS MEASURED WITH A .0295 [0.749] - .0305 [0.775] DIAMETER SQUARE ENDED TEST PIN. CONTACT SHOWN INSTALLED FOR DIMENSIONAL REFERENCE ONLY.

5. MAXIMUM WIRE INSULATION TO BE USED WITH THIS CONNECTOR ASSEMBLY IS .054 [1.37] DIAMETER.

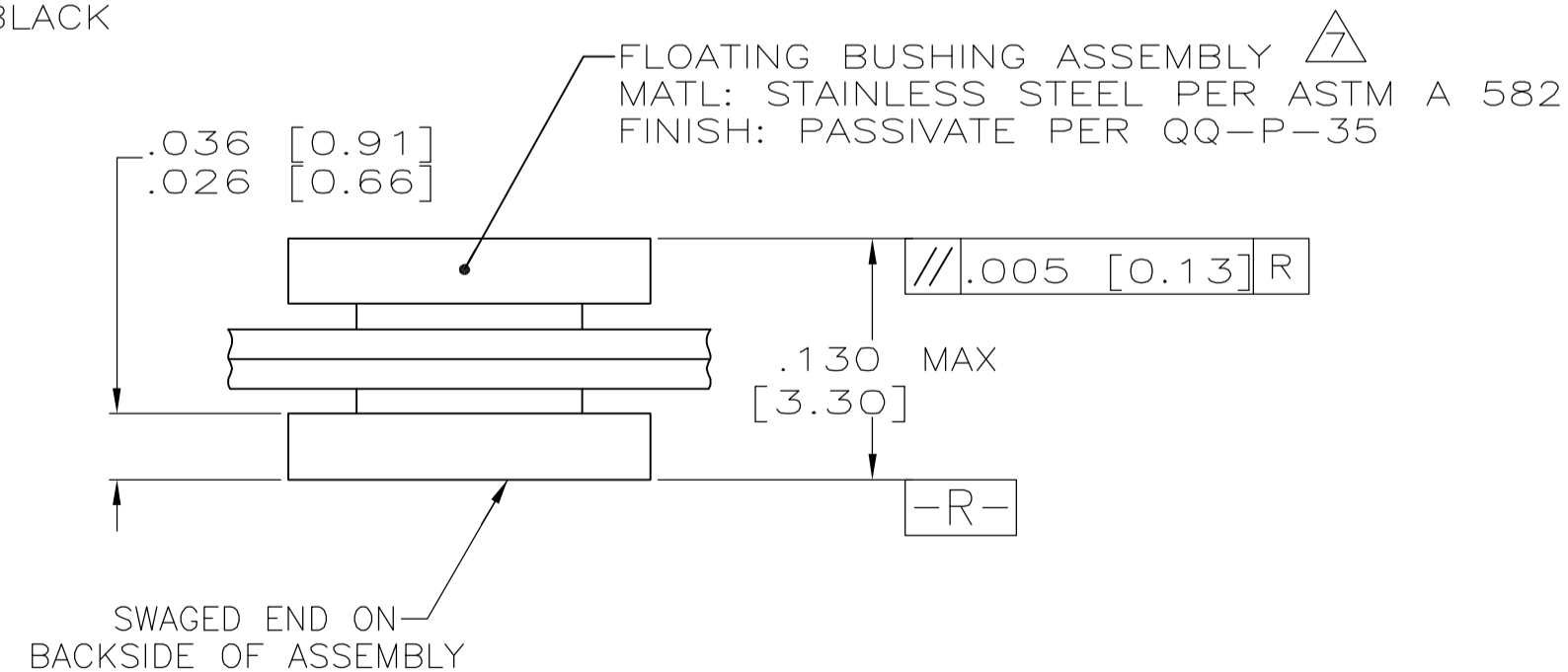
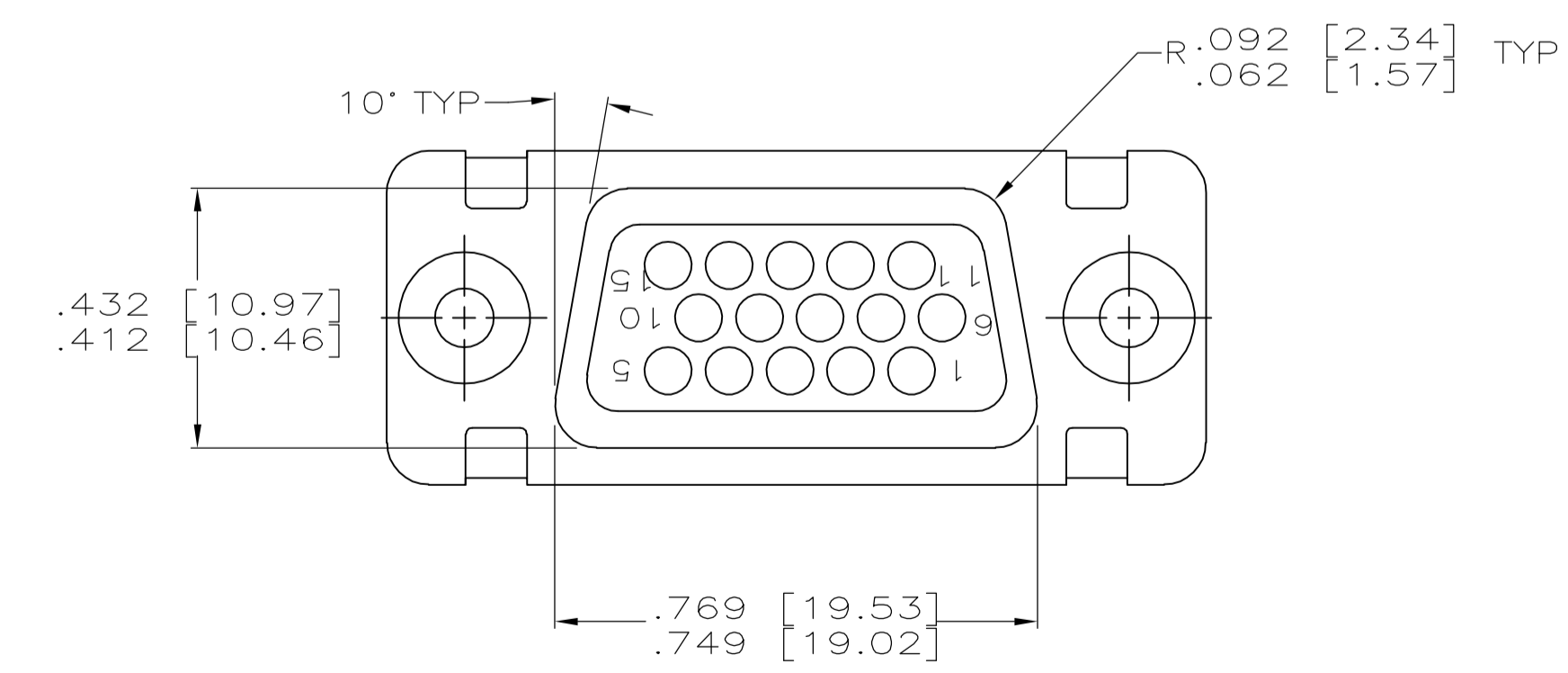
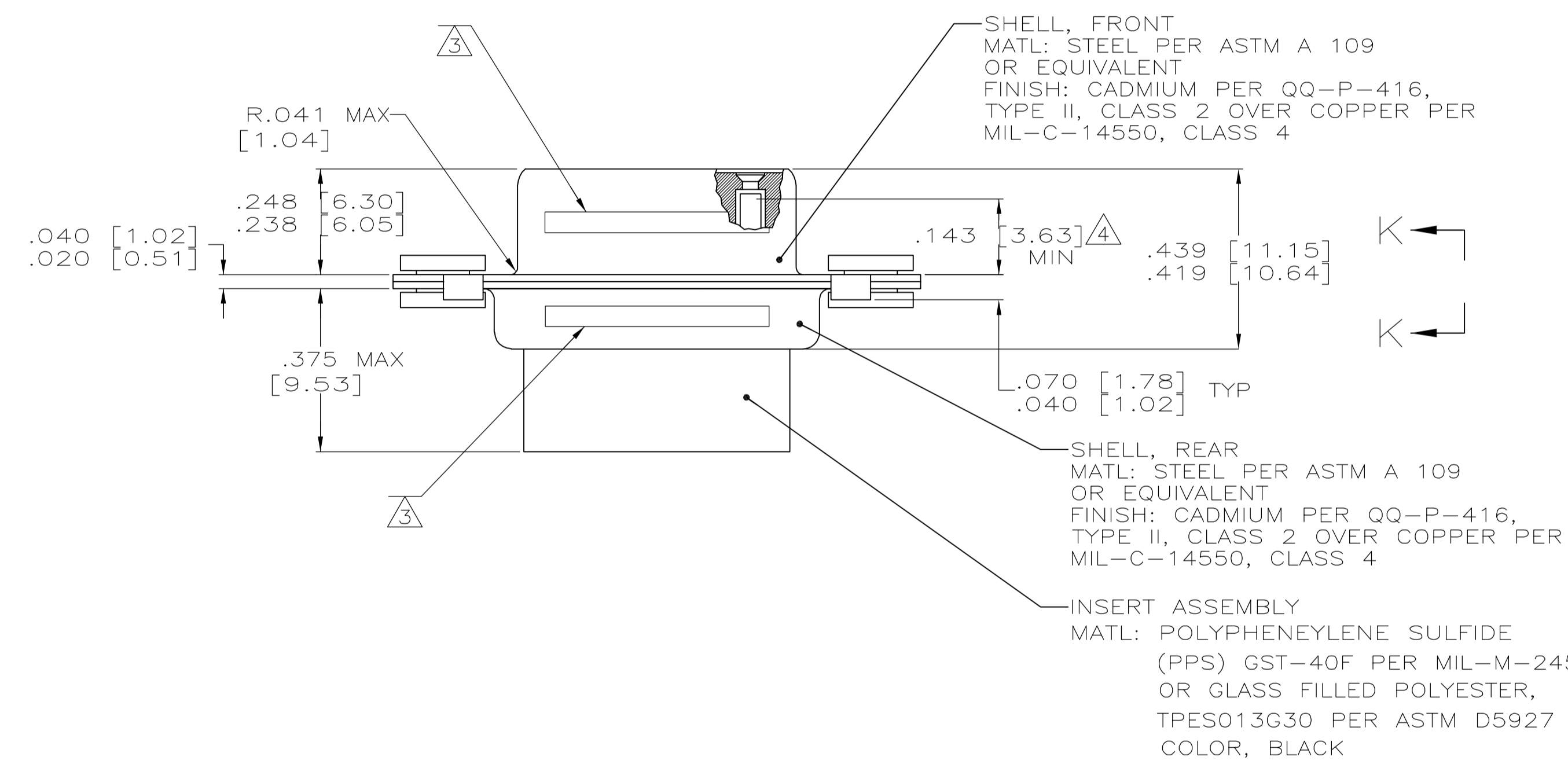
6. FOR CONTACT CRIMPING INSTRUCTION SHEET REFER TO AMP IS 7516. FOR CONTACT INSTALLATION AND REMOVAL INSTRUCTION SHEET REFER TO AMP IS 7508.

7. FLOAT SPECIFICATIONS ARE .004 [0.10]-.012 [0.30] VERTICALLY AND .026 [0.66]-.036 [0.91] HORIZONTALLY.

8. PART NUMBER FOR ORDERING.

9. DIMENSIONS AND TOLERANCES PER ANSI Y14.5M-1982.

10. THIS DRAWING SHALL BE INTERPRETED IN ACCORDANCE WITH APPLICABLE STANDARDS LISTED IN MIL-STD-100.



VIEW K-K
 SCALE 10:1



SCALE 1:1
 INSTALLATION & REMOVAL TOOL
 MIL P/N M81969/1-04
 AMP P/N 91067-1
 QTY 1

MS18273-2	15	1	M24308/2-39F	M24308/2-28F	593014-1	593016-1
INSERT ARRANGEMENT	NO OF POS	SHELL SIZE	PACKAGE MILITARY P/N	MILITARY P/N ON CONNECTOR	AMP P/N ON CONNECTOR	PART NUMBER
THIS DRAWING IS A CONTROLLED DOCUMENT.				DWN: AJ GRAFF 10-9-92 CHK: B. GILLMAN 10-13-92 APVD: F. KINSEY 10-13-92 NAME: Tyco Electronics Corporation Harrisburg, PA 17105-3608		
DIMENSIONS: INCHES		TOLERANCES UNLESS OTHERWISE SPECIFIED:		AMP/PRODUCT SPEC: AMPLITE RECEPTACLE ASSY WITH SIZE 22 CRIMP TYPE SOCKET CONTACTS AND TOOL SERIES 90, FLOATING BUSHING, SHELL SIZE 1 APPLICATION SPEC: --- SIZE: A1 DATE CODE: 00779 DRAWING NO: 593016 RESTRICTED TO: ---		
MATERIAL: SEE CALLOUTS		FINISH: SEE CALLOUTS		WEIGHT: --- CUSTOMER DRAWING: --- SCALE: 4:1 SHEET: 1 OF 1 REV: C		

单击下面可查看定价，库存，交付和生命周期等信息

[>>TE Connectivity\(泰科\)](#)