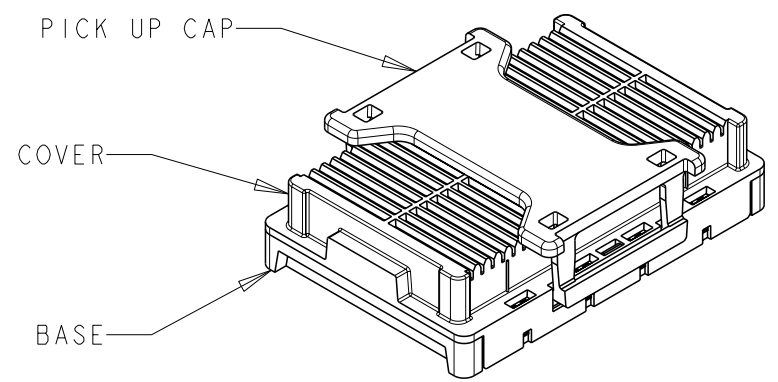
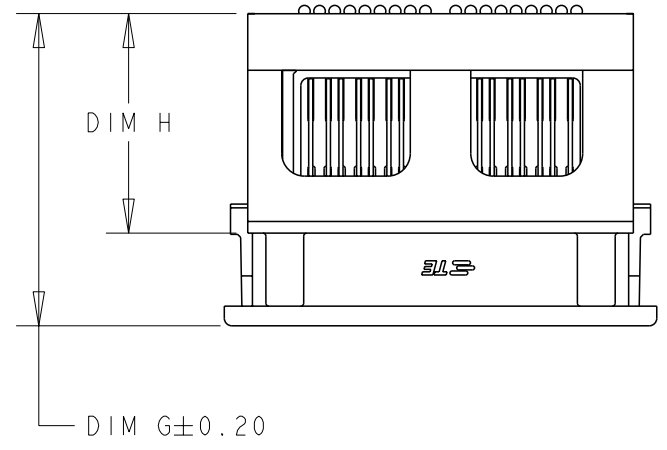
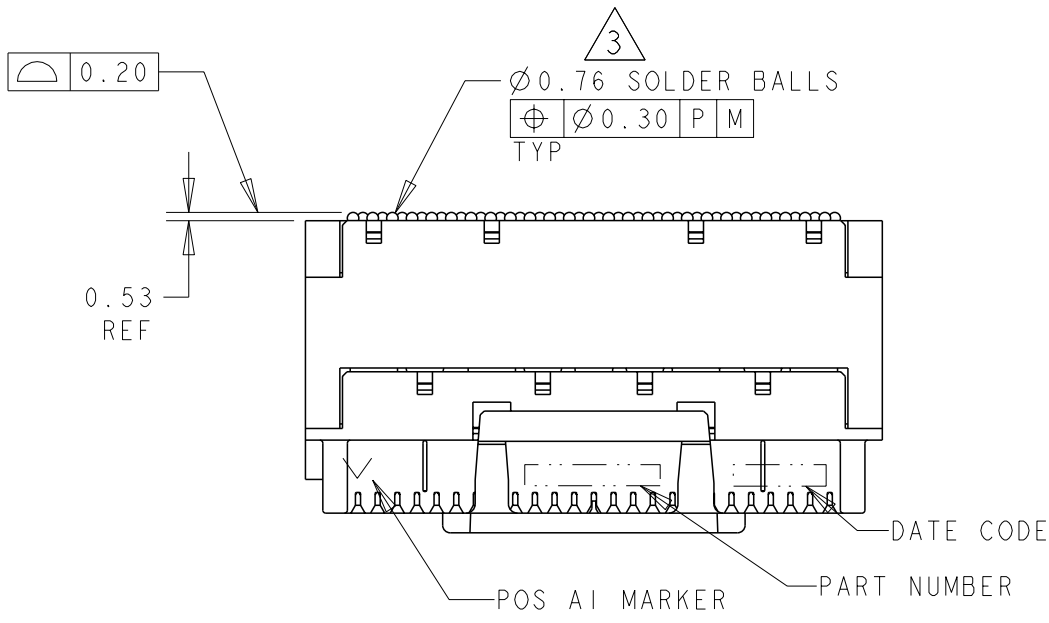


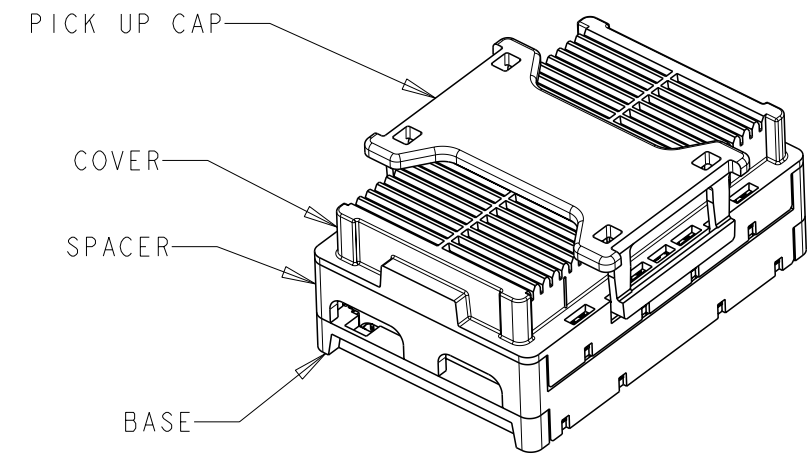
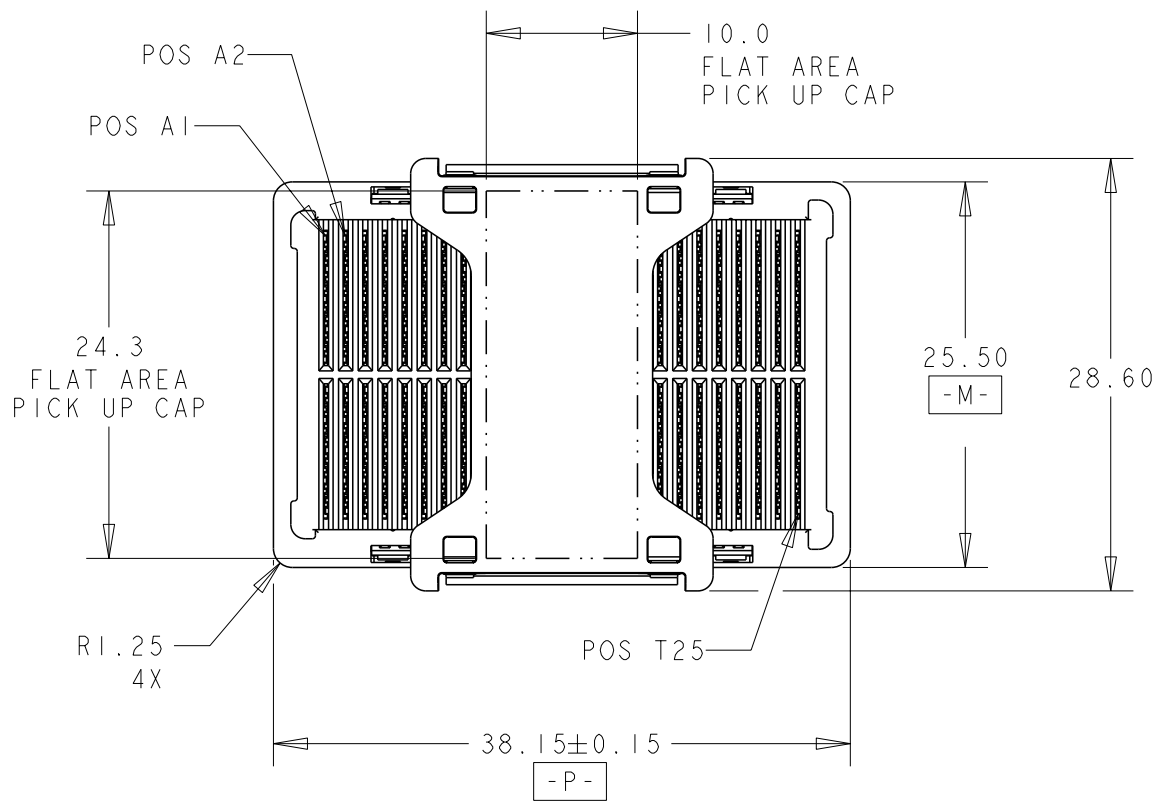
© 2021 TE Connectivity. All Rights Reserved.

REVISIONS					
P	LTR	DESCRIPTION	DATE	DWN	APVD
	A6	REVISED PER ECO-20-017117	26APR2021	AP	RW

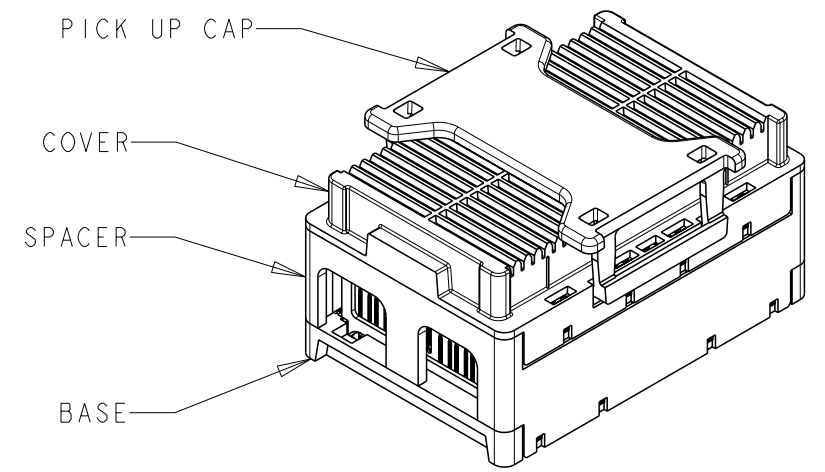


ISOMETRIC VIEW TYPICAL CONFIGURATION FOR 5mm ASSEMBLY SCALE 3:2

TYPICAL ASSEMBLY 15mm SHOWN SCALE 2:1



ISOMETRIC VIEW TYPICAL CONFIGURATION FOR 11mm ASSEMBLY SCALE 3:2



ISOMETRIC VIEW TYPICAL CONFIGURATION FOR 15mm ASSEMBLY SCALE 3:2

THIS DRAWING IS A CONTROLLED DOCUMENT.		DWN P BRANDBERG 21DEC04	TE Connectivity		
DIMENSIONS: mm		CHK D WERTZ 05JAN05			
TOLERANCES UNLESS OTHERWISE SPECIFIED:		APVD D WERTZ 05JAN05	NAME STEP-Z, RECEPTACLE ASSEMBLY, 200 SIGNAL POSITION		
0 PLC ±- 1 PLC ±0.3 2 PLC ±0.10 3 PLC ±0.050 4 PLC ±- ANGLES ±2°		PRODUCT SPEC 108-2143	SIZE A3		
MATERIAL 1		FINISH 2	APPLICATION SPEC 114-13101	CAGE CODE 300779	DRAWING NO C-1761615
		WEIGHT -	RESTRICTED TO		
		CUSTOMER DRAWING	SCALE 2:1	SHEET 1 OF 6	REV A6


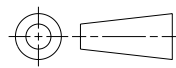
printed on 26 Apr 2021 11:11 from FRO19828

REVISIONS

P	LTR	DESCRIPTION	DATE	DWN	APVD
-		SEE SHEET 1	-	-	-

- 1 MATERIAL:
BASE, SPACER, COVER: THERMOPLASTIC
PICK UP CAP: THERMOPLASTIC
CONTACT: COPPER ALLOY
SOLDER BALL: Sn/Pb FOR P/N 1761615-1 THRU 5-1761615-0
Sn/Ag FOR P/N 5-1761615-1 THRU 9-1761615-9
- 2 FINISH:
CONTACT: 0.00076 MIN GOLD OVER 0.00127 MIN NICKEL.
(30µ" MIN GOLD OVER 50µ" MIN NICKEL)
- 3 SOLDER BALLS WILL NOT BE PERFECT
SPHERICAL SHAPE DUE TO REFLOW ATTACHMENT.
- 4 CONTACTS IN ROWS A,C,E,G,J,K,M,P,R, AND T
ARE SINGLE BEAM CONTACTS,
TYPICALLY USED AS GROUND PINS.
(NOTE: CONTACTS IN ROWS J & K ARE TIED
TOGETHER [COMMONED]).
- 5 CONTACTS IN ROWS B,D,F,H,L,N,Q, AND S
ARE DUAL BEAM CONTACTS,
TYPICALLY USED AS SIGNAL PINS.
- 6 SPECIFIED POSITIONAL TOLERANCE DEFINES PAD TO PAD
LOCATION WITHIN LAND PATTERN. POSITIONAL TOLERANCE
OF LAND PATTERN TO FUDICIAL MARKS OR PCB DATUMS
SHALL BE DEFINED BY CUSTOMER. FOR RECOMMENDED
PRODUCT APPLICATION AND PCB DESIGN DETAILS, SEE
APPLICATION SPEC 114-13101.
- 7 SOLDER PADS UNUSED, MAY BE OMITTED.
- 8 REFERENCE BOARD PATTERN FOR DIMENSIONS
AND DETAILS NOT SHOWN.

	DIM H	DIM G	LOAD STYLE	DESCRIPTION	PART NUMBER
	14.51	20.65	SELECT LOAD-112 POSN-SEE VIEW 35	15mm Sn/Ag	8-1761615-5
	14.51	20.65	SELECT LOAD-104 POSN-SEE VIEW 32	15mm Sn/Ag	8-1761615-2
	4.51	10.65	SELECT LOAD-104 POSN-SEE VIEW 31	5mm Sn/Ag	8-1761615-1
	14.51	20.65	FULL LOAD-200 POSN	15mm Sn/Ag	6-1761615-5
	10.51	16.65	FULL LOAD-200 POSN	11mm Sn/Ag	6-1761615-1
	4.51	10.65	FULL LOAD-200 POSN	5mm Sn/Ag	5-1761615-5
	14.51	20.65	SELECT LOAD-120 POSN-SEE VIEW 33	15mm Sn/Pb	3-1761615-3
OBSOLETE	14.51	20.65	SELECT LOAD-104 POSN-SEE VIEW 32	15mm Sn/Pb	3-1761615-2
	4.51	10.65	SELECT LOAD-104 POSN-SEE VIEW 31	5mm Sn/Pb	3-1761615-1
OBSOLETE	14.51	20.65	FULL LOAD-200 POSN	15mm Sn/Pb	1-1761615-1
	10.51	16.65	FULL LOAD-200 POSN	11mm Sn/Pb	1-1761615-1
	4.51	10.65	FULL LOAD-200 POSN	5mm Sn/Pb	1-1761615-5

THIS DRAWING IS A CONTROLLED DOCUMENT.		DWN P BRANDBERG 21DEC04	 TE Connectivity	
DIMENSIONS: mm		CHK D WERTZ 05JAN05		
		APVD D WERTZ 05JAN05	NAME STEP-Z, RECEPTACLE ASSEMBLY, 200 SIGNAL POSITION	
TOLERANCES UNLESS OTHERWISE SPECIFIED: 0 PLC ±- 1 PLC ±0.3 2 PLC ±0.10 3 PLC ±0.050 4 PLC ±- ANGLES ±2°		PRODUCT SPEC 108-2143	RESTRICTED TO	
MATERIAL		APPLICATION SPEC 114-13101	SIZE A3	CAGE CODE 00779
FINISH		WEIGHT -	DRAWING NO C-1761615	REV A6
CUSTOMER DRAWING			SCALE 2:1	SHEET 2 OF 6

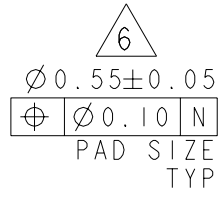
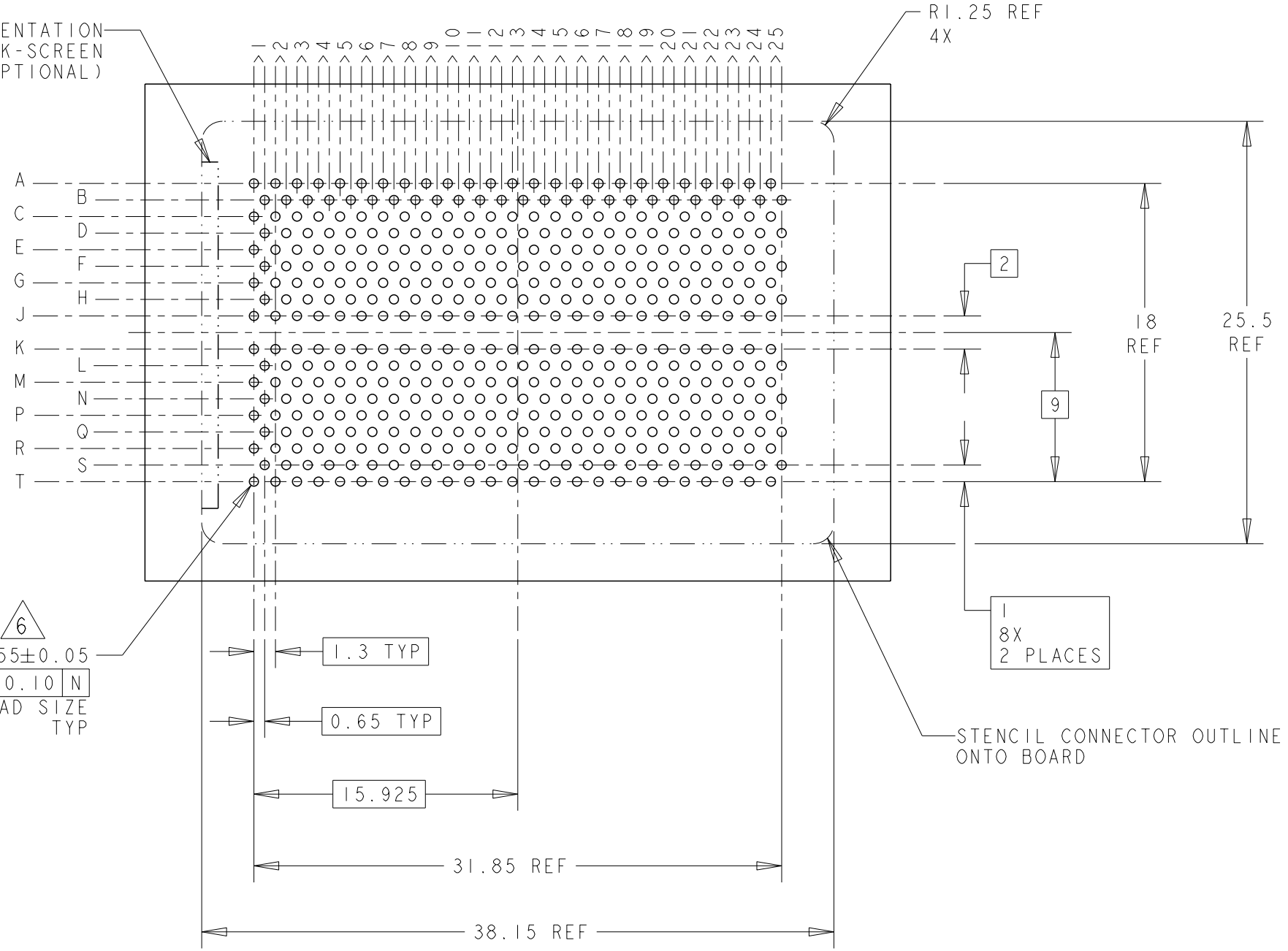
Printed on 26 Apr 2021 11:11 from FRO19828

© 2021 TE Connectivity. All Rights Reserved.

REVISIONS

P	LTR	DESCRIPTION	DATE	DWN	APVD
-	-	SEE SHEET 1	-	-	-

KEY ORIENTATION SILK-SCREEN (OPTIONAL)



BOARD PATTERN
SCALE 3:1

THIS DRAWING IS A CONTROLLED DOCUMENT.

DIMENSIONS:	TOLERANCES UNLESS OTHERWISE SPECIFIED:
mm	
	0 PLC ±-
	1 PLC ±0.3
	2 PLC ±0.10
	3 PLC ±0.050
	4 PLC ±-
	ANGLES ±2°

DWN	P BRANDBERG	21DEC04
CHK	D WERTZ	05JAN05
APVD	D WERTZ	05JAN05
PRODUCT SPEC	108-2143	
APPLICATION SPEC	114-13101	
WEIGHT	-	

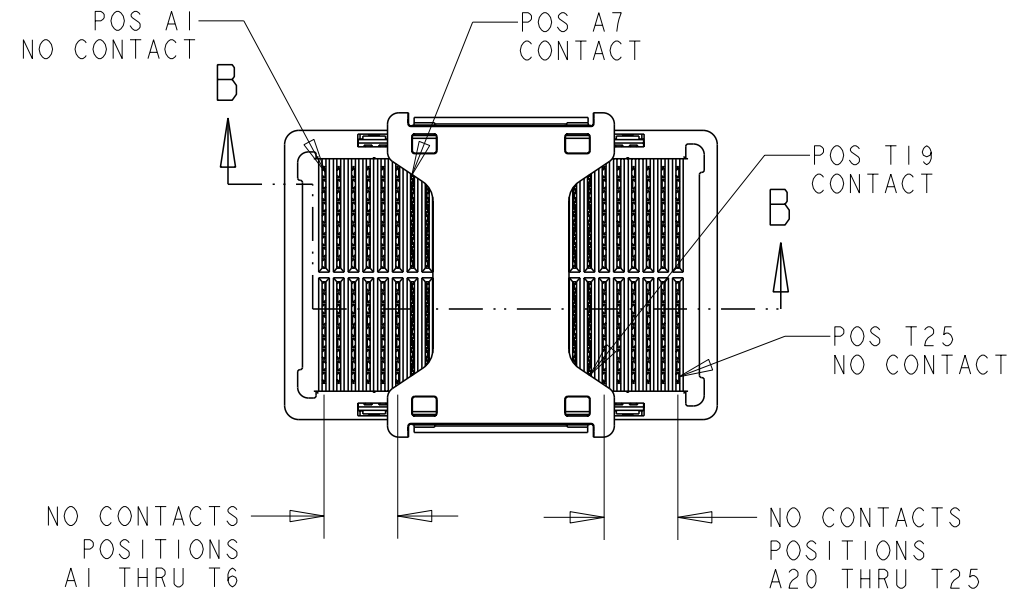


NAME
**STEP-Z, RECEPTACLE ASSEMBLY,
200 SIGNAL POSITION**

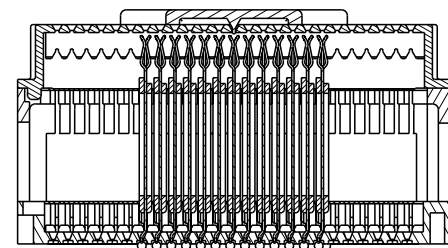
SIZE	CAGE CODE	DRAWING NO	RESTRICTED TO
A3	00779	C-1761615	

printed on 26 Apr 2021 11:11 from FROT9828

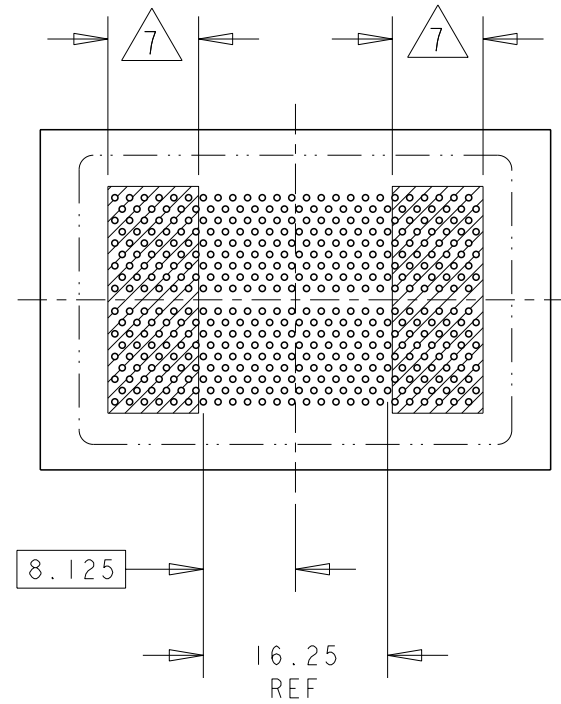
P	LTR	DESCRIPTION	DATE	DWN	APVD
-	-	SEE SHEET 1	-	-	-



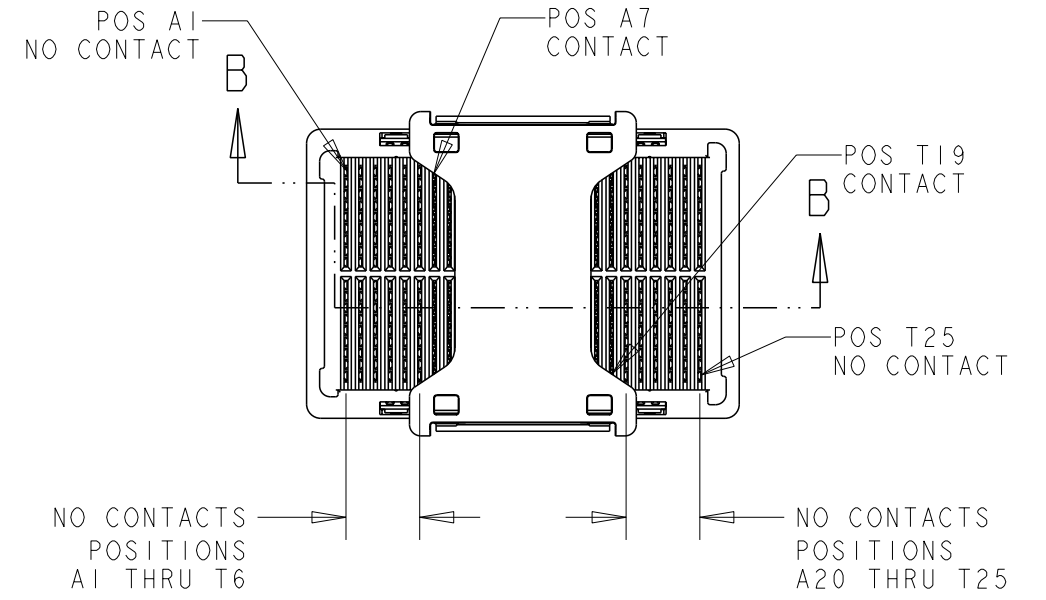
VIEW 32
SELECT LOAD 15mm 104 POSITION
SCALE 3:2



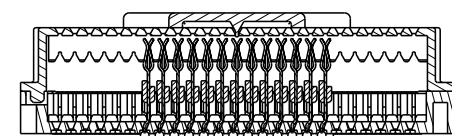
SECTION B-B



VIEW 31 & VIEW 32
SELECT LOAD 104 POSITION
BOARD PATTERN
SCALE 3:2



VIEW 31
SELECT LOAD 5mm 104 POSITION
SCALE 3:2



SECTION B-B

THIS DRAWING IS A CONTROLLED DOCUMENT.

DIMENSIONS:	TOLERANCES UNLESS OTHERWISE SPECIFIED:
mm	0 PLC ±-
	1 PLC ±0.3
	2 PLC ±0.10
	3 PLC ±0.050
	4 PLC ±-
	ANGLES ±2°

MATERIAL FINISH

DWN	P BRANDBERG	21DEC04
CHK	D WERTZ	05JAN05
APVD	D WERTZ	05JAN05
PRODUCT SPEC	108-2143	
APPLICATION SPEC	114-13101	
WEIGHT	-	

CUSTOMER DRAWING



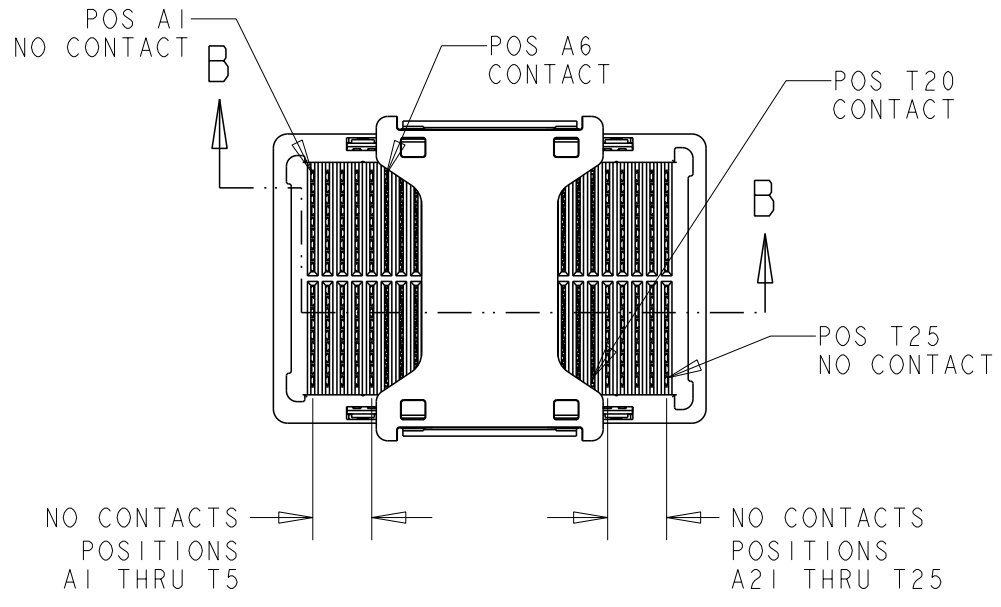
NAME
STEP-Z, RECEPTACLE ASSEMBLY,
200 SIGNAL POSITION

SIZE	CAGE CODE	DRAWING NO	RESTRICTED TO
A3	00779	C-1761615	

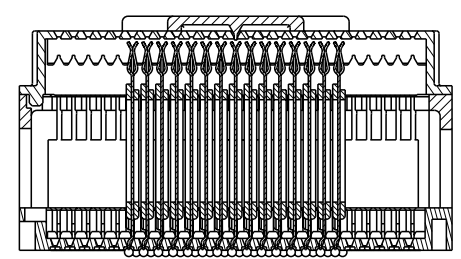
SCALE 2:1 SHEET 4 OF 6 REV A6

printed on 26 Apr 2021 11:11 from FRO19828

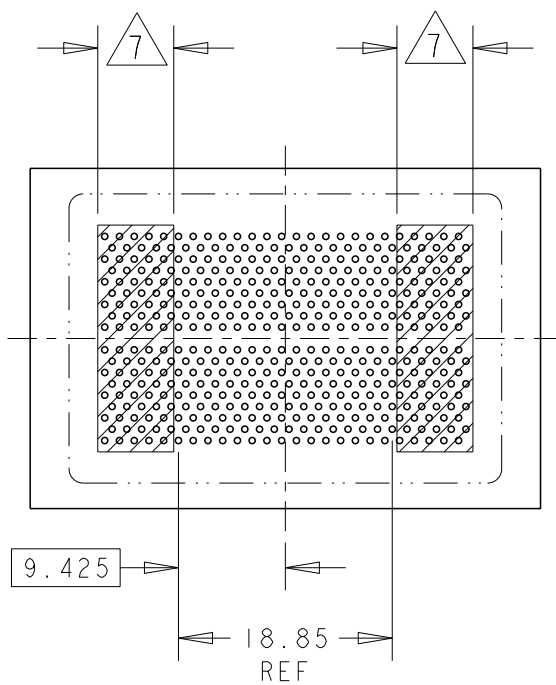
© 2021 TE Connectivity. All Rights Reserved.



VIEW 33
SELECT LOAD 15mm 120 POSITION
SCALE 3:2

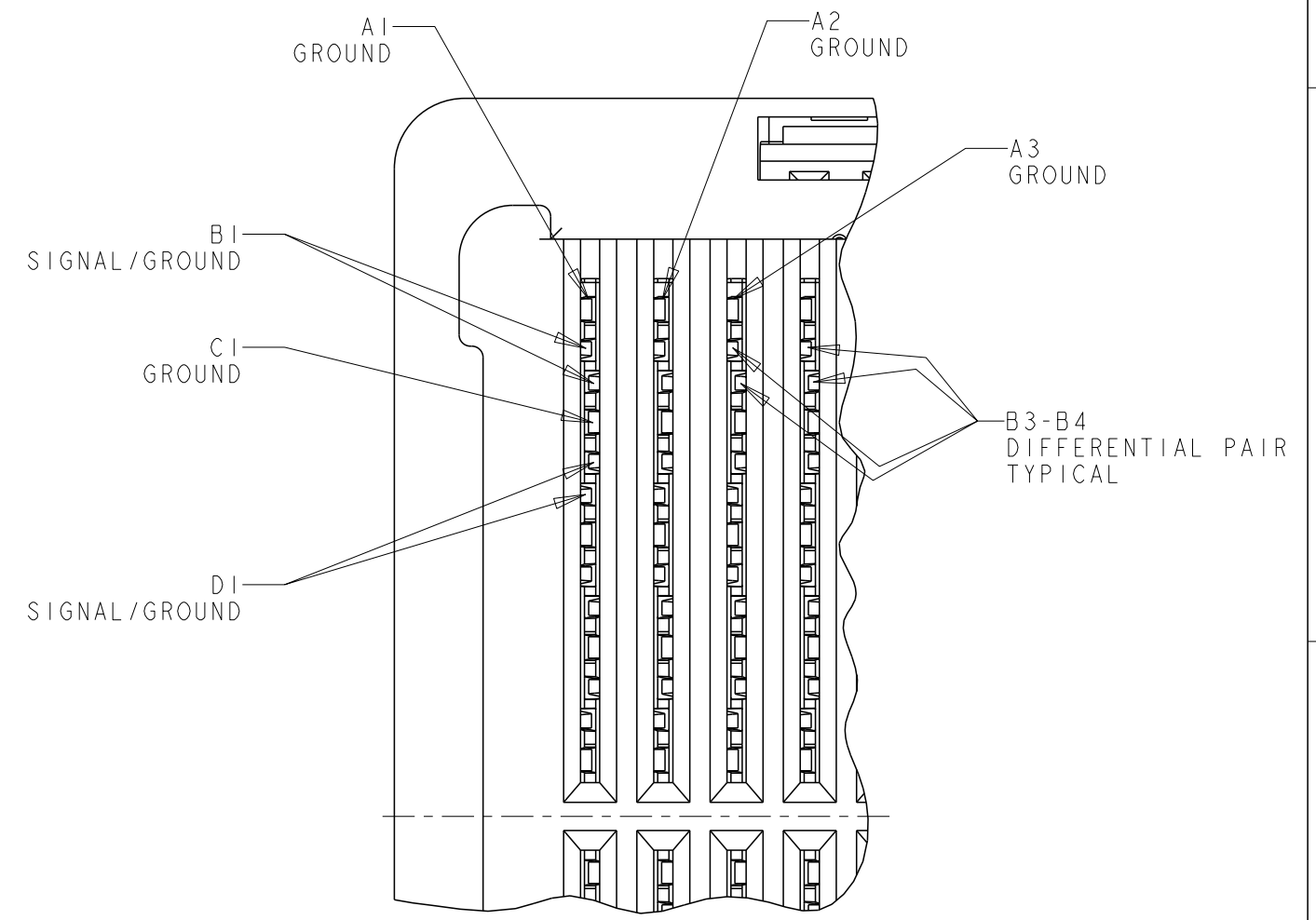


SECTION B-B



VIEW 33
SELECT LOAD 120 POSITION
BOARD PATTERN
SCALE 3:2

REVISIONS					
P	LTR	DESCRIPTION	DATE	DWN	APVD
-	-	SEE SHEET 1	-	-	-



RECEPTACLE INTERFACE
SCALE 8:1

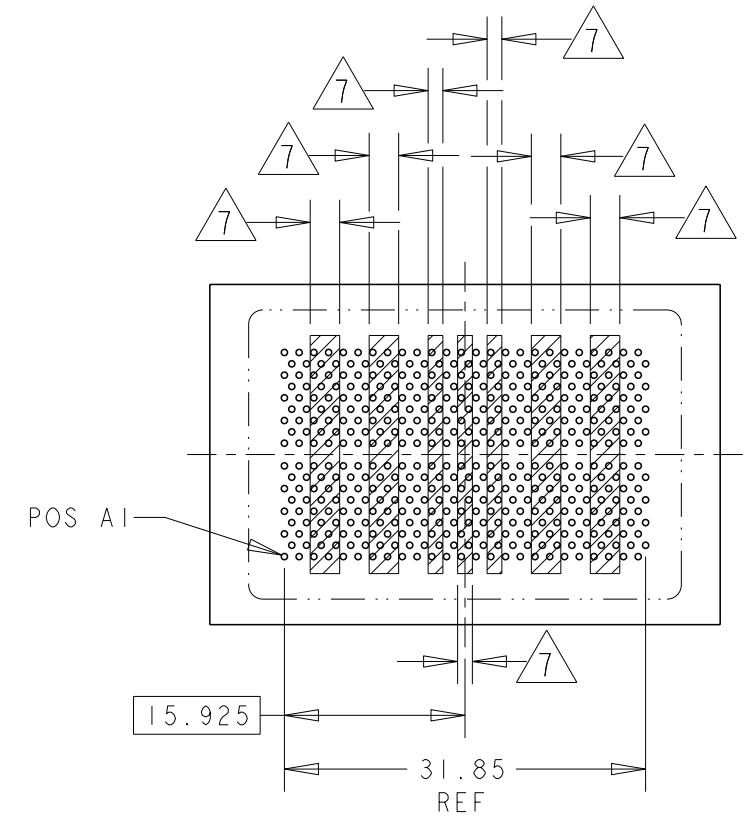
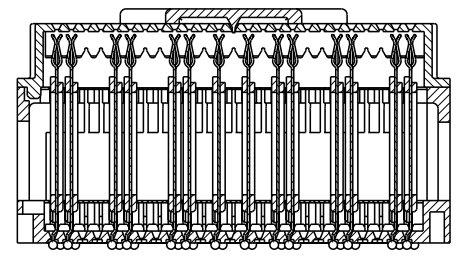
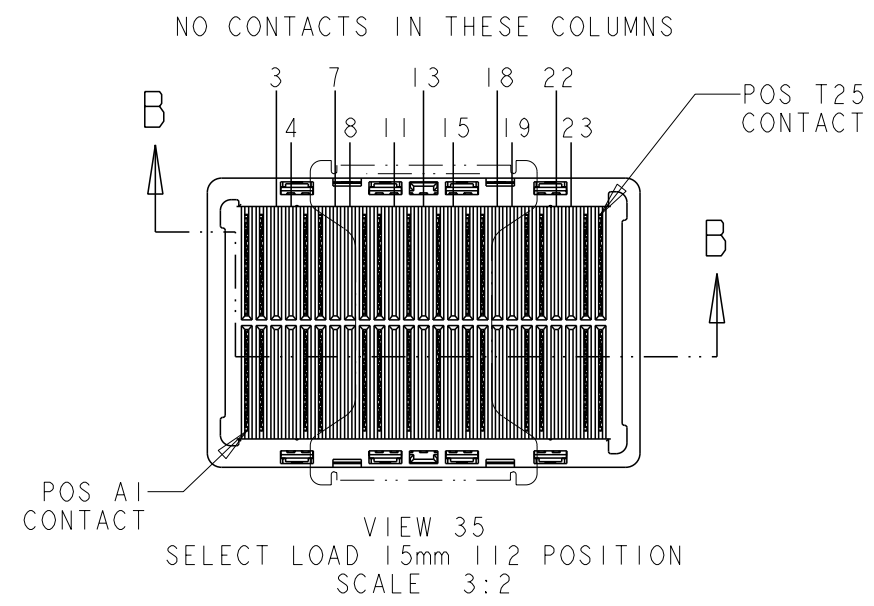
THIS DRAWING IS A CONTROLLED DOCUMENT.		DWN P BRANDBERG 21DEC04			
DIMENSIONS: mm		CHK D WERTZ 05JAN05			
TOLERANCES UNLESS OTHERWISE SPECIFIED:		APVD D WERTZ 05JAN05	NAME STEP-Z, RECEPTACLE ASSEMBLY, 200 SIGNAL POSITION		
0 PLC ±-		PRODUCT SPEC 108-2143	SIZE		
1 PLC ±0.3		APPLICATION SPEC 114-13101	CAGE CODE		
2 PLC ±0.10		WEIGHT -	DRAWING NO A300779		
3 PLC ±0.050		CUSTOMER DRAWING	C=1761615		
4 PLC ±-		SCALE 2:1	RESTRICTED TO		
ANGLES ±2°		SHEET 5 OF 6	REV A6		
FINISH					

printed on 26 Apr 2021 11:11 from FRO19828

© 2021 TE Connectivity. All Rights Reserved.

REVISIONS

P	LTR	DESCRIPTION	DATE	DWN	APVD
-	-	SEE SHEET 1	-	-	-



THIS DRAWING IS A CONTROLLED DOCUMENT.		DWN P BRANDBERG 21DEC04	 TE Connectivity	NAME STEP-Z, RECEPTACLE ASSEMBLY, 200 SIGNAL POSITION		
DIMENSIONS: mm	TOLERANCES UNLESS OTHERWISE SPECIFIED: 0 PLC ±- 1 PLC ±0.3 2 PLC ±0.10 3 PLC ±0.050 4 PLC ±- ANGLES ±2°	CHK D WERTZ 05JAN05			APVD D WERTZ 05JAN05	
		PRODUCT SPEC 108-2143			APPLICATION SPEC 114-13101	
MATERIAL	FINISH	WEIGHT -			SIZE A3	CAGE CODE 00779
CUSTOMER DRAWING			SCALE 2:1	SHEET 6 OF 6	REV A6	

printed on 26 Apr 2021 11:11 from FRO19828

单击下面可查看定价，库存，交付和生命周期等信息

[>>TE Connectivity\(泰科\)](#)