

THIS DRAWING IS UNPUBLISHED. RELEASED FOR PUBLICATION 20
 © COPYRIGHT 20 BY TYCO ELECTRONICS CORPORATION. ALL RIGHTS RESERVED.

LOC	DIST	REVISIONS			
P	LTR	DESCRIPTION	DATE	DWN	APVD
ES	00				
	A	ECR-09-014979	02JUL2009	AL	SY
	B	ECO-11-005032	11MAR2011	JY	CW

HEAT SINK CLIP
 MAT'L: COPPER ALLOY
 FINISH: TIN

INTERMEDIATE REAR EMI GASKET
 MAT'L: COPPER ALLOY
 FINISH: TIN

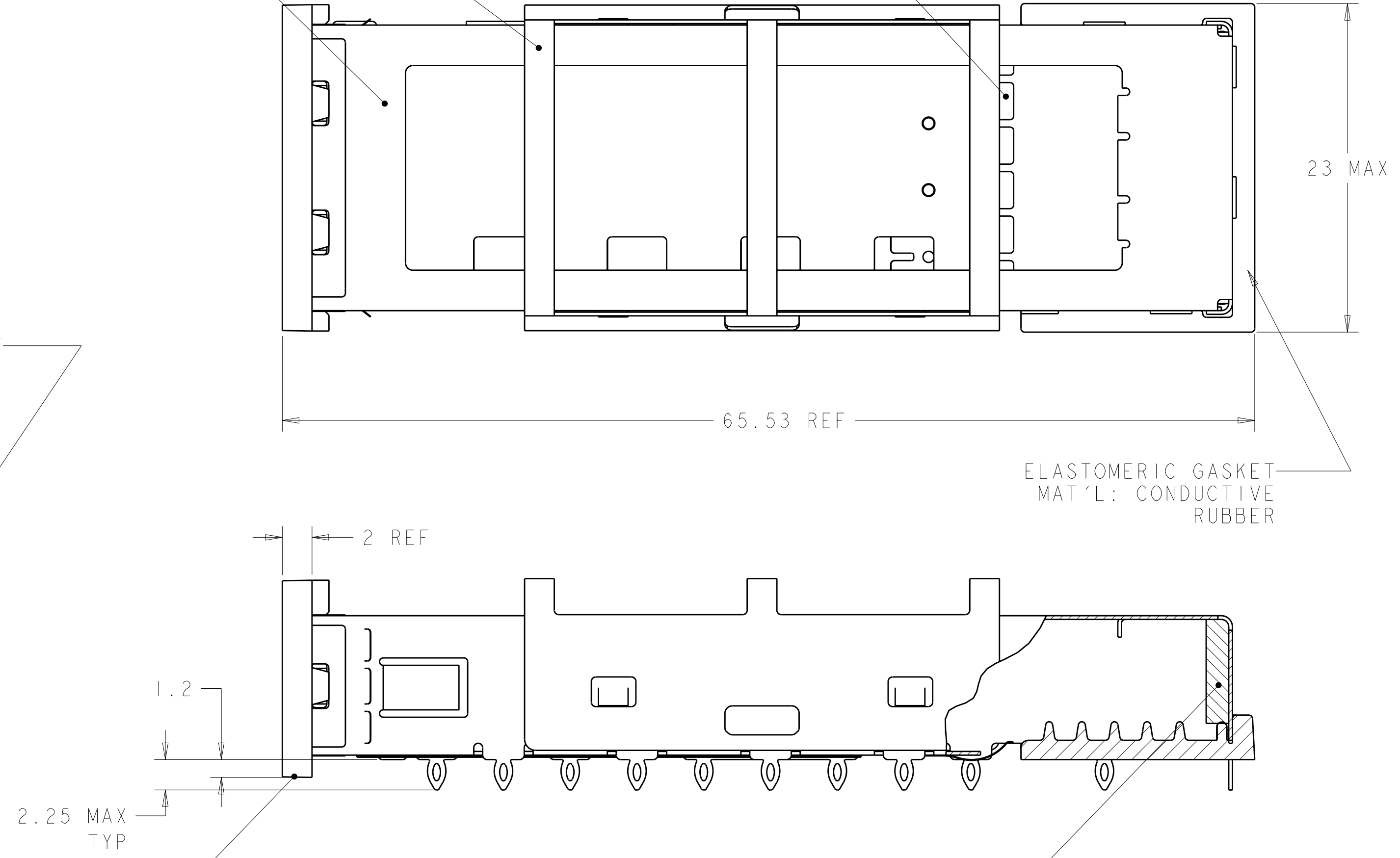
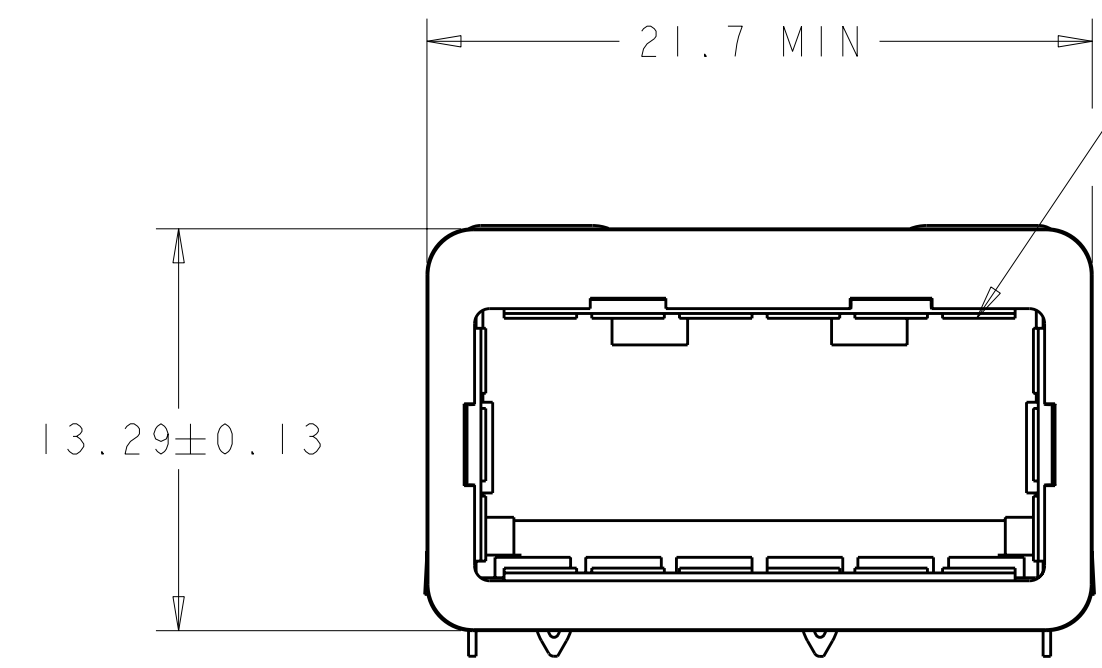
XFP CAGE
 MAT'L: COPPER ALLOY
 FINISH: TIN

FRONT EMI GASKET
 MAT'L: COPPER ALLOY
 FINISH: TIN

ELASTOMERIC GASKET
 MAT'L: CONDUCTIVE
 RUBBER

XFP CAGE REAR EMI GASKET
 MAT'L: CONDUCTIVE FOAM

FRONT FLANGE
 MAT'L: ZINC ALLOY
 FINISH: TIN
 OVER NICKEL AND
 COPPER FLASH



<small>THIS DRAWING IS A CONTROLLED DOCUMENT FOR TYCO ELECTRONICS CORPORATION IT IS SUBJECT TO CHANGE AND THE CONTROLLING ENGINEERING ORGANIZATION SHOULD BE CONTACTED FOR THE LATEST REVISION.</small>		DWN ADAMS LV 29JUN2009 CHK MARTIN LI 29JUN2009 APVD STEVEN YAO 29JUN2009	Tyco Electronics Shanghai China
DIMENSIONS: mm	TOLERANCES UNLESS OTHERWISE SPECIFIED: 0 PLC ±- 1 PLC ±0.1 2 PLC ±0.05 3 PLC ±- 4 PLC ±- ANGLES ±- FINISH	PRODUCT SPEC 108-2127 APPLICATION SPEC 114-13096 WEIGHT - CUSTOMER DRAWING	NAME ASSEMBLY, XFP CAGE WITH INSULATING TAPE AND CLIP SIZE A2 CAGE CODE 00779 DRAWING NO. C-1932093 RESTRICTED TO -
SCALE 1:1 SHEET 1 OF 4 REV B			

4

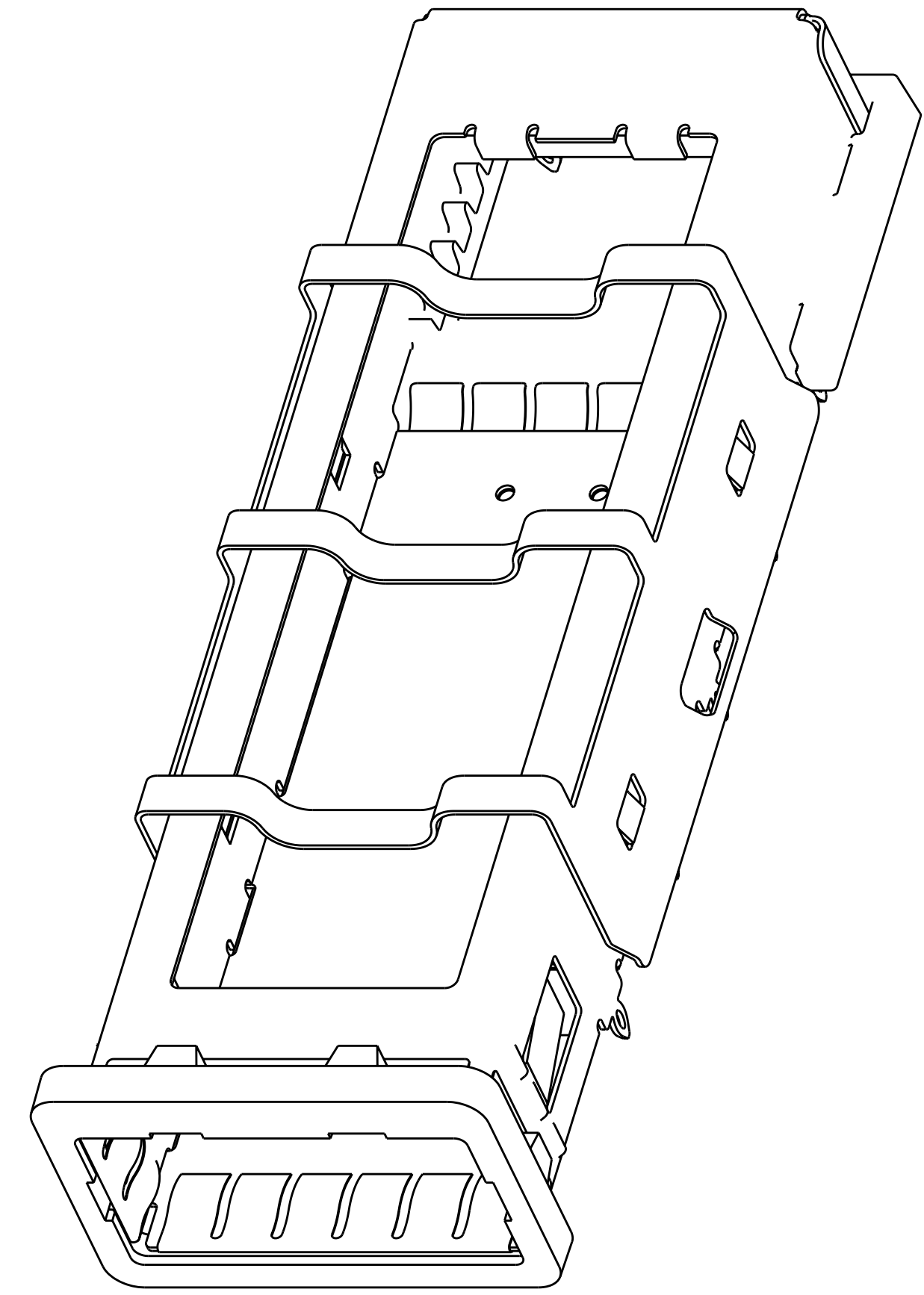
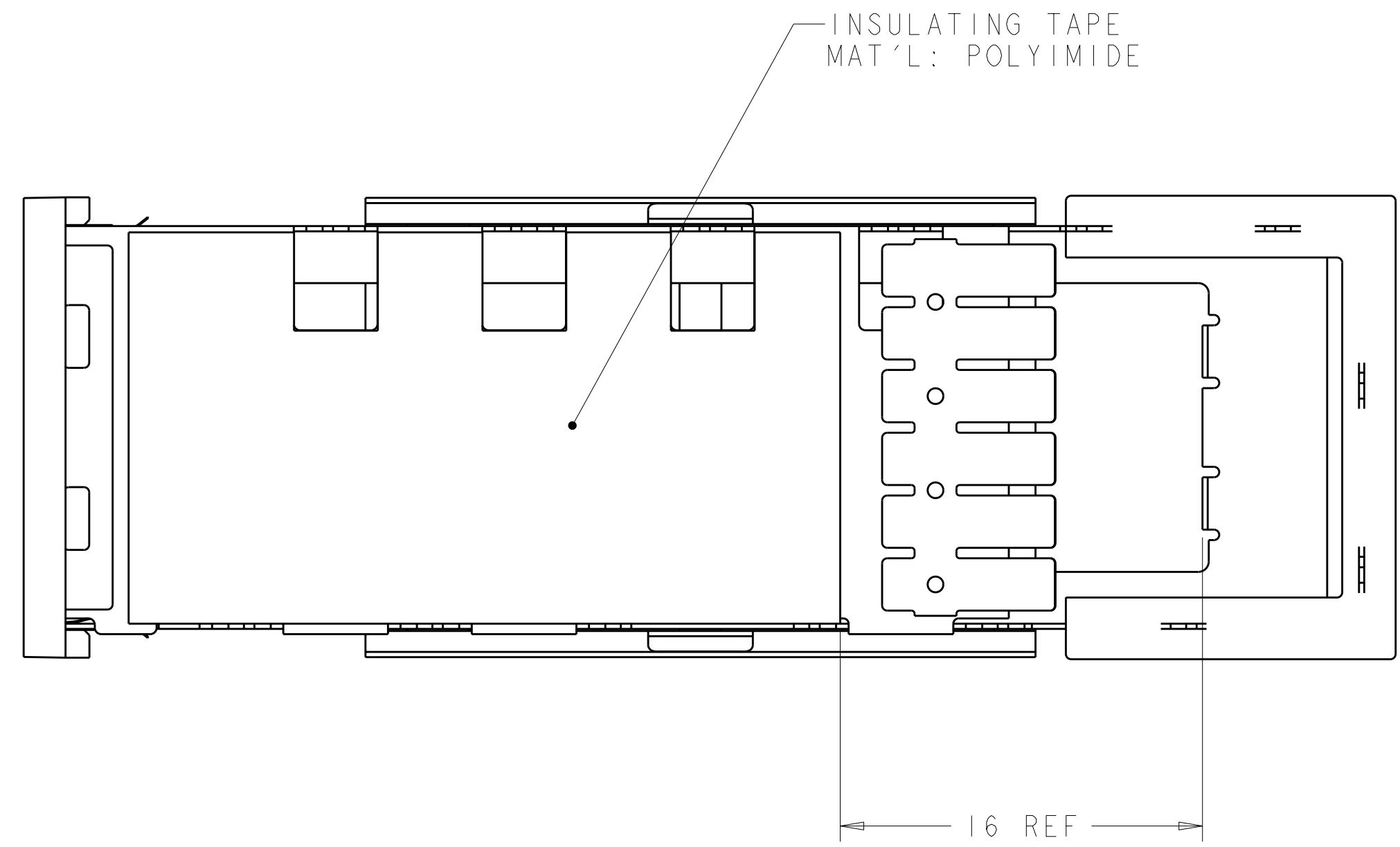
3

2

1

THIS DRAWING IS UNPUBLISHED. RELEASED FOR PUBLICATION 20
 © COPYRIGHT 20 BY TYCO ELECTRONICS CORPORATION. ALL RIGHTS RESERVED.

LOC	DIST	REVISIONS				
P	LTR	DESCRIPTION	DATE	DWN	APVD	
ES	00	-	SEE SHEET 1	-	-	

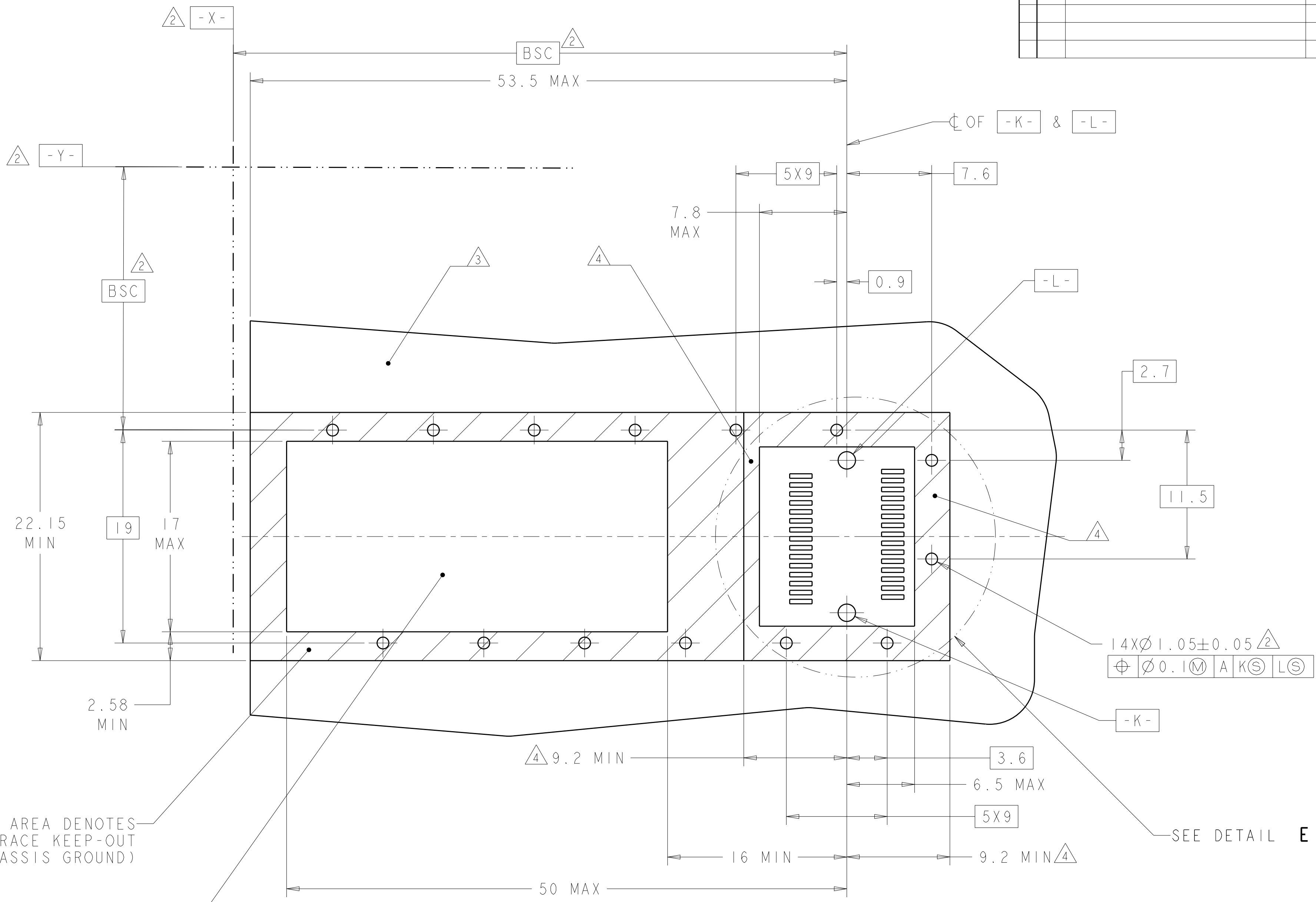


- 1 MATES WITH XFP-MSA COMPLIANT TRANSCEIVERS.
- 2 DATUM -X- AND -Y- ESTABLISHED BY CUSTOMER.
- 3 DATUM -X- IS TOP SURFACE OF HOST BOARD.
- 4 INDICATED SURFACES TO BE CONDUCTIVE AND CONNECTED TO CHASSIS GROUND.

<small>THIS DRAWING IS A CONTROLLED DOCUMENT FOR TYCO ELECTRONICS CORPORATION IT IS SUBJECT TO CHANGE AND THE CONTROLLING ENGINEERING ORGANIZATION SHOULD BE CONTACTED FOR THE LATEST REVISION.</small>		DWN ADAMS LV 29 JUN 2009 CHK MARTIN LI 29 JUN 2009 APVD STEVEN YAO 29 JUN 2009	Tyco Electronics Shanghai China
DIMENSIONS: mm	TOLERANCES UNLESS OTHERWISE SPECIFIED: 0 PLC ± 1 PLC ±0.1 2 PLC ±0.05 3 PLC ± 4 PLC ± ANGLES ± FINISH	PRODUCT SPEC 108-2127 APPLICATION SPEC 114-13096 WEIGHT -	NAME ASSEMBLY, XFP CAGE WITH INSULATING TAPE AND CLIP SIZE CAGE CODE DRAWING NO RESTRICTED TO A200779 C-1932093 -
MATERIAL -		CUSTOMER DRAWING	
		SCALE 1:1	SHEET 2 OF 4 REV B

THIS DRAWING IS UNPUBLISHED. RELEASED FOR PUBLICATION 20
 © COPYRIGHT 20 BY TYCO ELECTRONICS CORPORATION. ALL RIGHTS RESERVED.

LOC	DIST	REVISIONS			
P	LTR	DESCRIPTION	DATE	DWN	APVD
ES	00	SEE SHEET 1			



CROSS-HATCHED AREA DENOTES COMPONENT AND TRACE KEEP-OUT (EXCEPT CHASSIS GROUND)

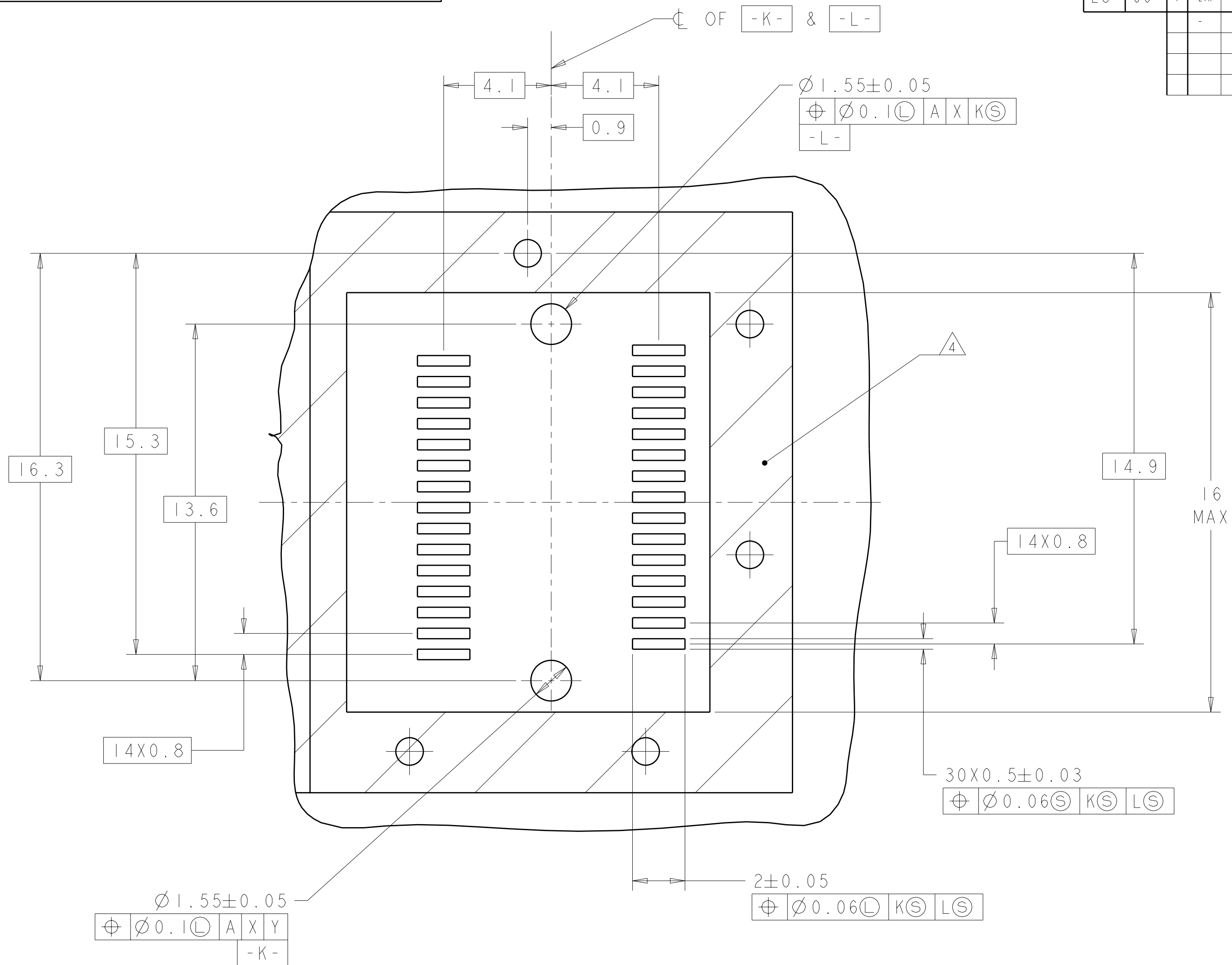
THIS AREA DENOTES COMPONENT KEEP-OUT (TRACES & VIAS ALLOWED)

DETAILED HOST BOARD MECHANICAL LAYOUT

<small>THIS DRAWING IS A CONTROLLED DOCUMENT FOR TYCO ELECTRONICS CORPORATION. IT IS SUBJECT TO CHANGE AND THE CONTROLLING ENGINEERING ORGANIZATION SHOULD BE CONTACTED FOR THE LATEST REVISION.</small>		DWN ADAMS LV 29 JUN 2009 CHK MARTIN LI 29 JUN 2009 APVD STEVEN YAO 29 JUN 2009	Tyco Electronics Tyco Electronics Shanghai China
DIMENSIONS: mm 		PRODUCT SPEC 108-2127 APPLICATION SPEC 114-13096 WEIGHT -	NAME ASSEMBLY, XFP CAGE WITH INSULATING TAPE AND CLIP SIZE A200779 CAGE CODE C-1932093 DRAWING NO 1932093
TOLERANCES UNLESS OTHERWISE SPECIFIED: 0 PLC ± 1 PLC ±0.1 2 PLC ±0.05 3 PLC ± 4 PLC ± ANGLES ± FINISH ±		CUSTOMER DRAWING	RESTRICTED TO - SCALE 1:1 SHEET 3 OF 4 REV B

THIS DRAWING IS UNPUBLISHED. RELEASED FOR PUBLICATION 20
 © COPYRIGHT 20 BY TYCO ELECTRONICS CORPORATION. ALL RIGHTS RESERVED.

LOC	DIST	REVISIONS					
ES	00	P	LTR	DESCRIPTION	DATE	DWN	APVD
		-		SEE SHEET 1			



DETAIL E
 SCALE 8:1

DETAILED HOST BOARD MECHANICAL LAYOUT

THIS DRAWING IS A CONTROLLED DOCUMENT FOR TYCO ELECTRONICS CORPORATION. IT IS SUBJECT TO CHANGE AND THE CONTROLLING ENGINEERING ORGANIZATION SHOULD BE CONTACTED FOR THE LATEST REVISION.		DWN ADAMS LV 29 JUN 2009	Tyco Electronics Shanghai China	
DIMENSIONS: mm		CHK MARTIN LI 29 JUN 2009	NAME ASSEMBLY, XFP CAGE WITH INSULATING TAPE AND CLIP	
TOLERANCES UNLESS OTHERWISE SPECIFIED: 0 PLC ± 1 PLC ±0.1 2 PLC ±0.05 3 PLC ± 4 PLC ± ANGLES ± FINISH		APVD STEVEN YAO 29 JUN 2009	PRODUCT SPEC 108-2127	
MATERIAL		APPLICATION SPEC 114-13096	SIZE A200779	DRAWING NO C-1932093
		WEIGHT	RESTRICTED TO	
		CUSTOMER DRAWING	SCALE 1:1	SHEET 4 OF 4 REV B

单击下面可查看定价，库存，交付和生命周期等信息

[>>TE Connectivity\(泰科\)](#)