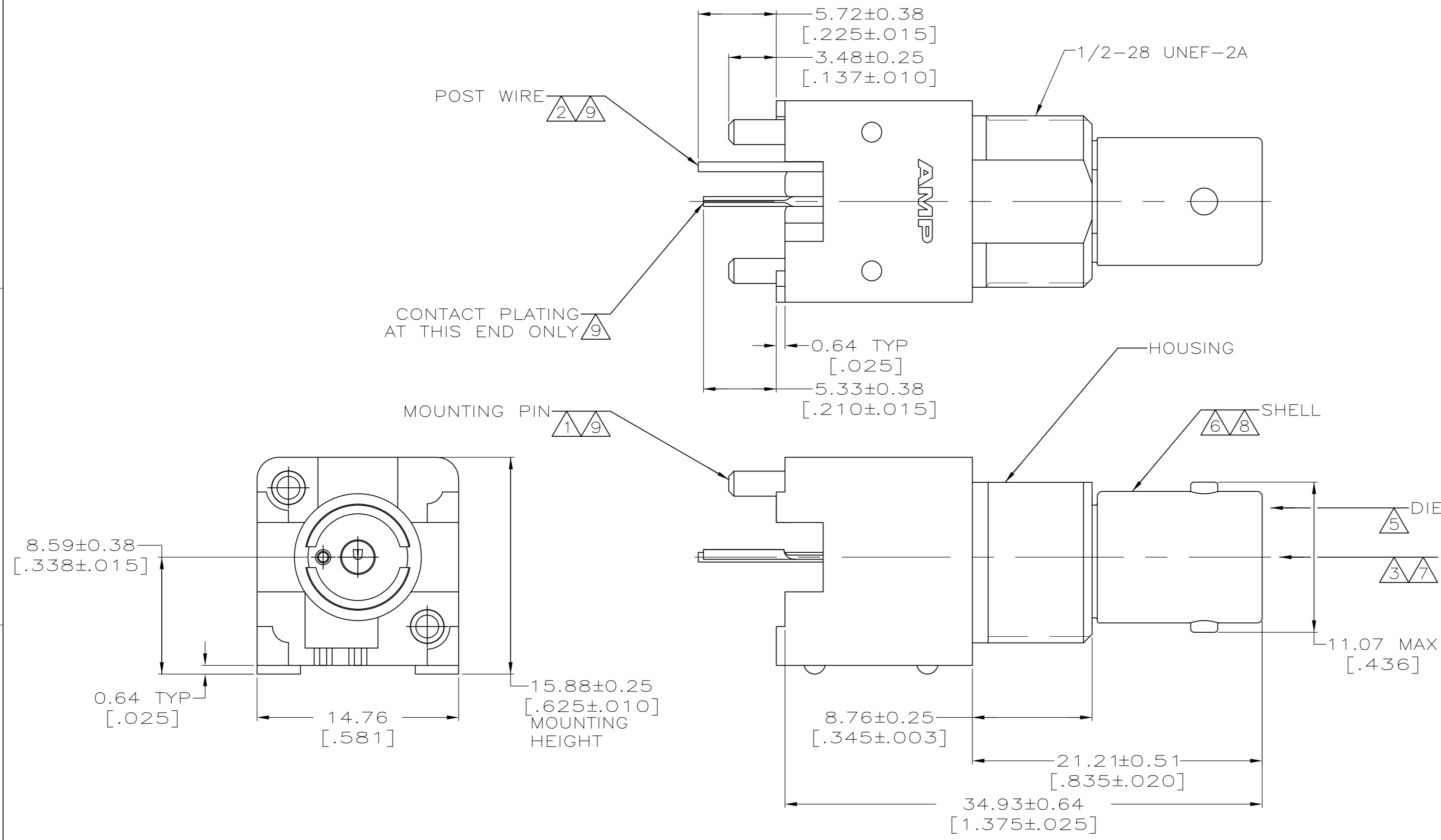
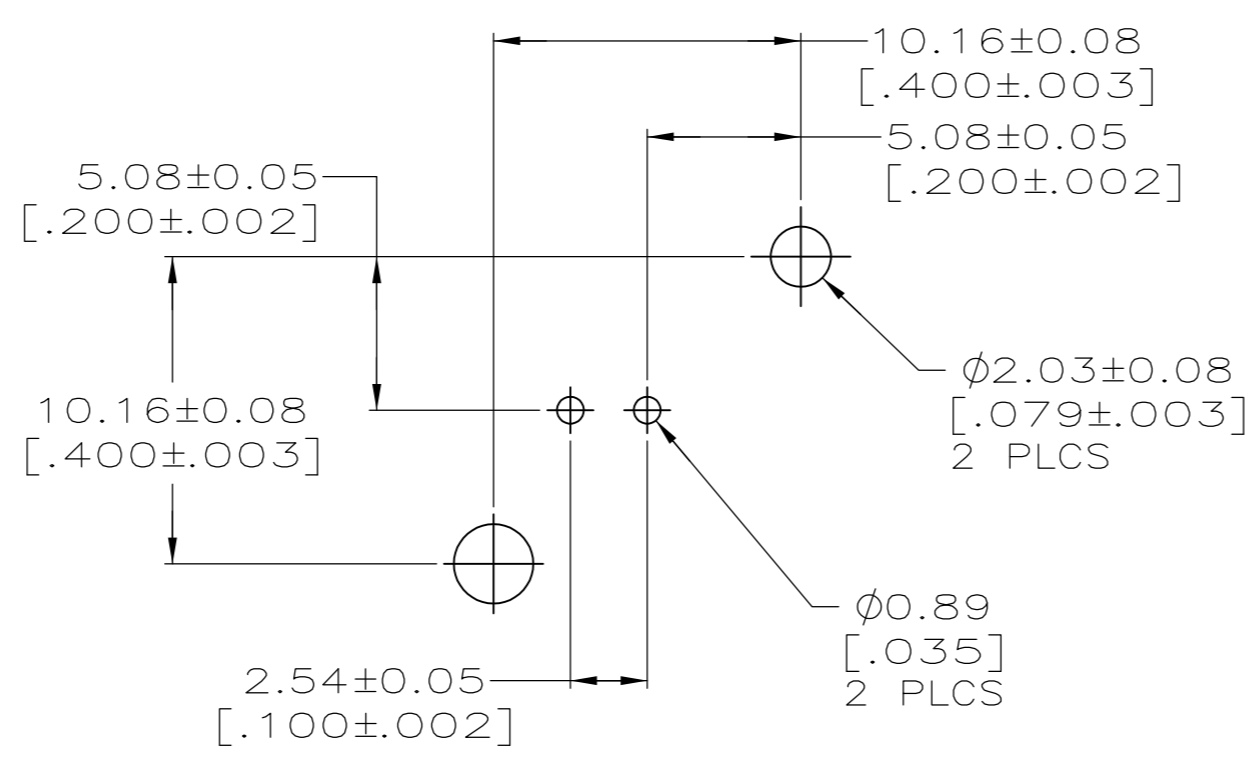
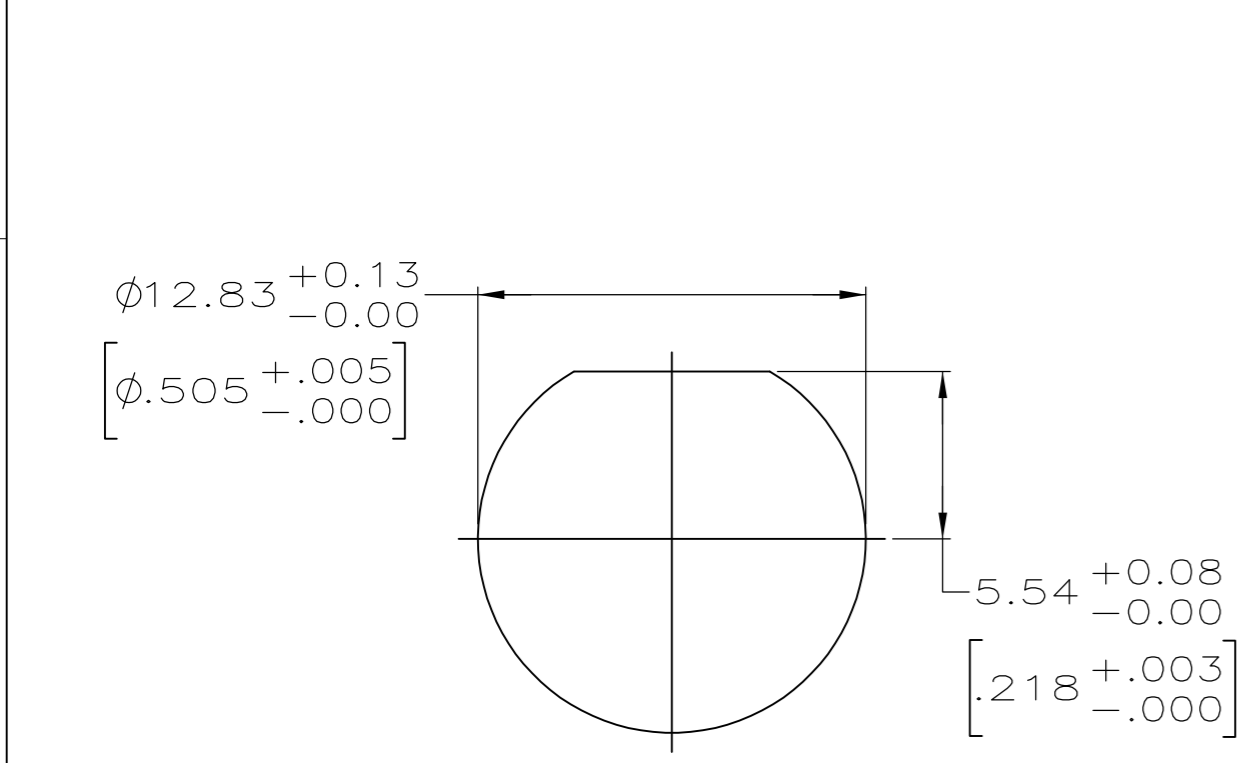


THIS DRAWING IS UNPUBLISHED. RELEASED FOR PUBLICATION
 © COPYRIGHT BY TYCO ELECTRONICS CORPORATION. ALL RIGHTS RESERVED.

LOC	DIST	REVISIONS					
		P	LTR	DESCRIPTION	DATE	DWN	APVD
AJ	16	B		REV PER ECO 08-009474	7/22/2008	DW	JL



- 1 BRASS PER ASTM-B-16
- 2 BRASS PER ASTM-B-453
- 3 PHOSPHOR BRONZE PER ASTM-B-103
- 4 POLYESTER PBT PER MIL-M-25419, TYPE GPT-15F, UL94V-0 RATED, COLOR: BLACK
- 5 POLYMETHYLPENTENE: GENERAL PURPOSE
- 6 ZINC DIE CAST PER QQ-Z-363
- 7 GOLD PLATE PER ASTM-B-488, 0.76µm [.000030] MIN THICKNESS
- 8 NICKEL PLATE PER QQ-N-290, 3.81µm [.000150] MIN THICKNESS
- 9 TIN PLATE PER ASTM-B-545, 3.81µm [.000150] MIN THICKNESS
- 10. USE INSTRUCTION SHEET 408-2769
- 11 POLYESTER PBT PER MIL-M-25419, TYPE GPT-15F, UL94V-0 RATED, COLOR: WHITE



11	5415632-2
4	5415632-1
HOUSING MATERIAL	PART NUMBER

THIS DRAWING IS A CONTROLLED DOCUMENT.		DWN G. ATTADIA - DOCK5 22APR2005	Tyco Electronics Corporation Harrisburg, Pa 17105-3608	
DIMENSIONS: mm [INCHES]		CHK J. HAVENER 22APR2005	NAME -	
TOLERANCES UNLESS OTHERWISE SPECIFIED:		APVD J. LIPPERT 22APR2005	PRODUCT SPEC 108-12078	
0 PLC ± -		APPLICATION SPEC		
1 PLC ± -		-		
2 PLC ± 0.20 [.008]		WEIGHT -		
3 PLC ± -		SIZE A2		
4 PLC ± -		CAGE CODE 00779		
ANGLES ± -		DRAWING NO C=5415632		
FINISH SEE NOTES		RESTRICTED TO -		
MATERIAL SEE NOTES		SCALE 4:1 SHEET 1 OF 1 REV B		
CUSTOMER DRAWING				

单击下面可查看定价，库存，交付和生命周期等信息

[>>TE Connectivity\(泰科\)](#)