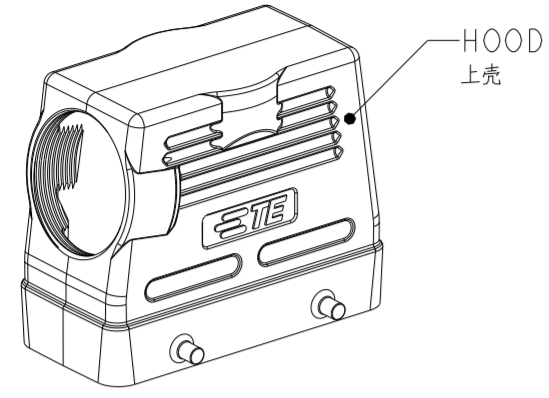
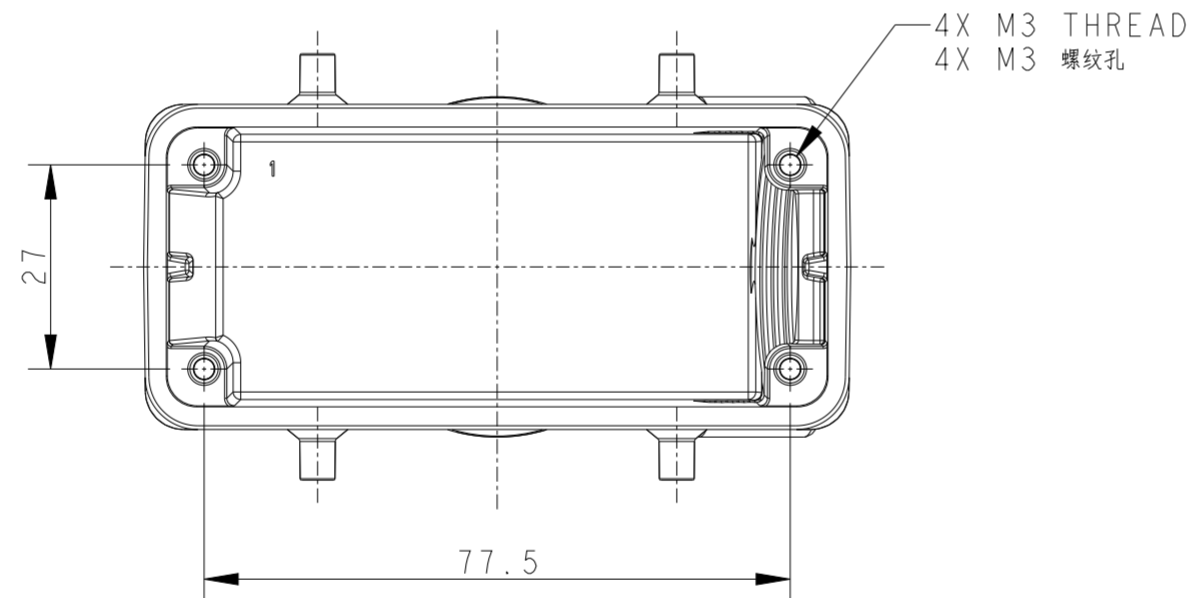
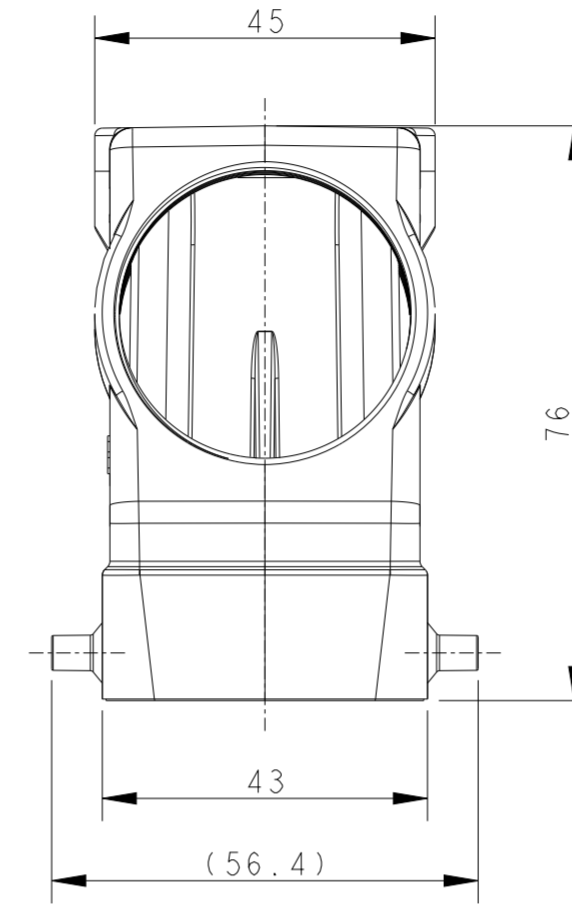
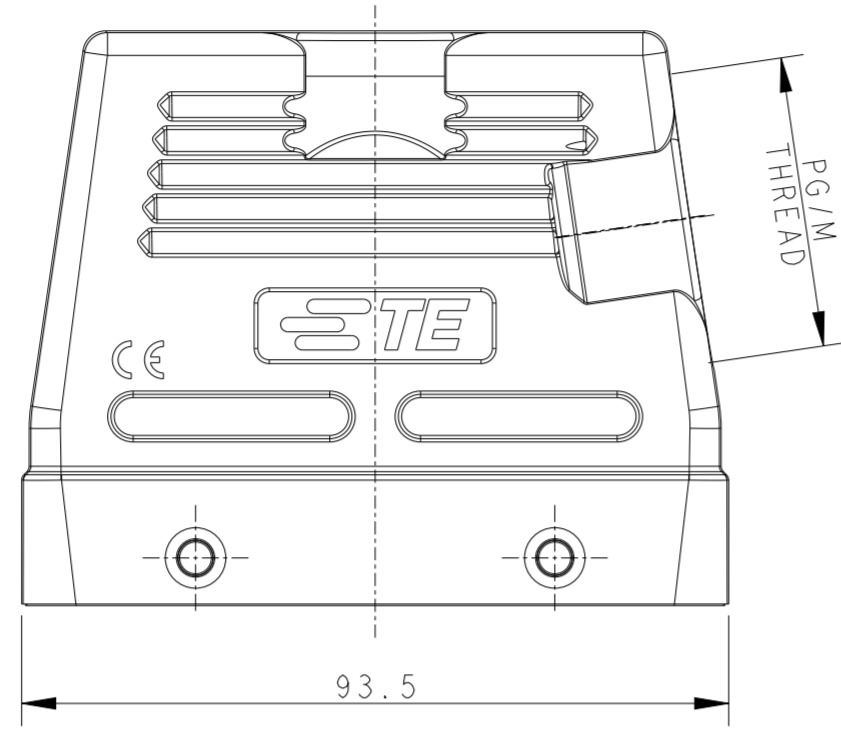


THIS DRAWING IS UNPUBLISHED. RELEASED FOR PUBLICATION 20  
 © COPYRIGHT 20 BY - ALL RIGHTS RESERVED.

| REVISIONS |     |               |           |     |      |
|-----------|-----|---------------|-----------|-----|------|
| P         | LTR | DESCRIPTION   | DATE      | DWN | APVD |
| A3        |     | ECR-16-010326 | 07JUL2016 | DW  | CW   |
| A4        |     | ECR-16-018349 | 30DEC2016 | DW  | CW   |
| B         |     | ECR-20-008190 | 05AUG2020 | WOR | CW   |
| B1        |     | ECR-21-105138 | 25JUN2021 | WOR | CW   |



SCALE 1:2



NOTES:  
 1. TECHNICAL CHARACTERISTICS:  
 HOOD MATERIAL: DIE CAST ALUMINIUM ALLOY  
 HOOD SURFACE: POWDER COATED, GREY, RAL7037  
 DEGREE OF PROTECTION: IP65 (MATED)

注释:  
 1. 技术参数:  
 上壳材料: 铝合金  
 上壳表面处理: 灰色粉末涂层, RAL7037  
 防护等级: IP65(配合)

|                     |                          |  |                         |
|---------------------|--------------------------|--|-------------------------|
| T1230160121-000     | H16B-TSH-PG21            | H16B HOOD, SIDE ENTRY PG21, 4 EAR, HIGH CONSTRUCTION, POWDER COATED, GREY<br>H16B上壳, 侧出PG21, 4耳, 高结构, 灰色粉末喷涂 | PG21                    |
| T1230160129-000     | H16B-TSH-PG29            | H16B HOOD, SIDE ENTRY PG29, 4 EAR, HIGH CONSTRUCTION, POWDER COATED, GREY<br>H16B上壳, 侧出PG29, 4耳, 高结构, 灰色粉末喷涂 | PG29                    |
| T1230160125-000     | H16B-TSH-M25             | H16B HOOD, SIDE ENTRY M25, 4 EAR, HIGH CONSTRUCTION, POWDER COATED, GREY<br>H16B上壳, 侧出M25, 4耳, 高结构, 灰色粉末喷涂   | M25                     |
| T1230160132-000     | H16B-TSH-M32             | H16B HOOD, SIDE ENTRY M32, 4 EAR, HIGH CONSTRUCTION, POWDER COATED, GREY<br>H16B上壳, 侧出M32, 4耳, 高结构, 灰色粉末喷涂   | M32                     |
| T1230160140-000     | H16B-TSH-M40             | H16B HOOD, SIDE ENTRY M40, 4 EAR, HIGH CONSTRUCTION, POWDER COATED, GREY<br>H16B上壳, 侧出M40, 4耳, 高结构, 灰色粉末喷涂   | M40                     |
| PART NUMBER<br>零件料号 | PART DESCRIPTION<br>零件描述 |  | PG/M THREAD<br>PG/M 螺纹孔 |

|  |  |                                |                               |  |
|--|--|--------------------------------|-------------------------------|--|
| THIS DRAWING IS A CONTROLLED DOCUMENT. |  | DWN<br>DAVID WANG<br>11JUN2014 | TE Connectivity               |  |
| DIMENSIONS: mm                         |  | CHK<br>CHRIS WANG<br>11JUN2014 |                               |  |
| TOLERANCES UNLESS OTHERWISE SPECIFIED: |  | APVD<br>XIANG XU<br>11JUN2014  | NAME<br>H16B-TSH-M/PG         |  |
| 0 PLC ±                                |  | PRODUCT SPEC                   | 108-137013                    |  |
| 1 PLC ±                                |  | APPLICATION SPEC               | 114-137013                    |  |
| 2 PLC ±                                |  | WEIGHT                         | -                             |  |
| 3 PLC ±                                |  | CUSTOMER DRAWING               | SCALE 1:1 SHEET 1 OF 1 REV B1 |  |
| 4 PLC ±                                |  |                                |                               |  |
| ANGLES ±                               |  |                                |                               |  |
| FINISH                                 |  |                                |                               |  |

单击下面可查看定价，库存，交付和生命周期等信息

[>>TE Connectivity\(泰科\)](#)