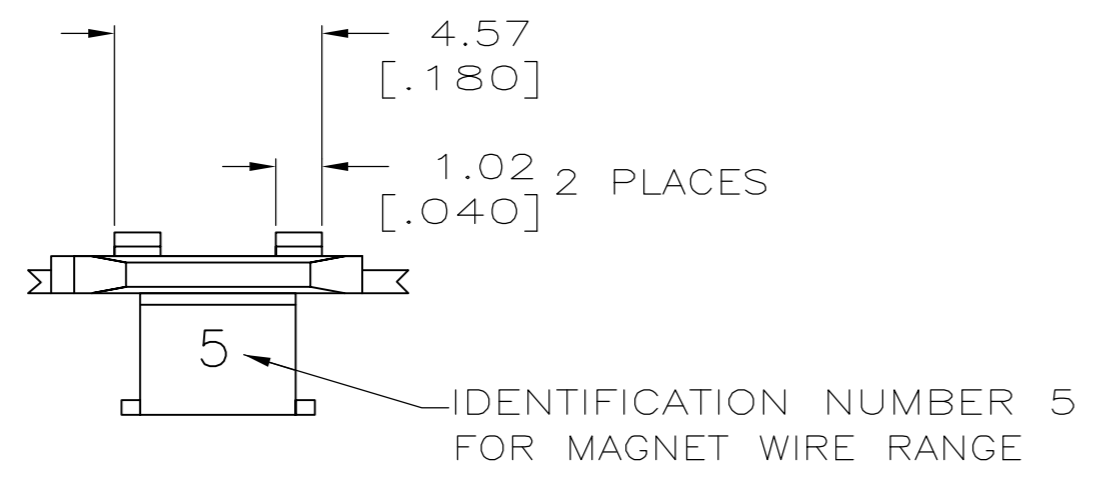
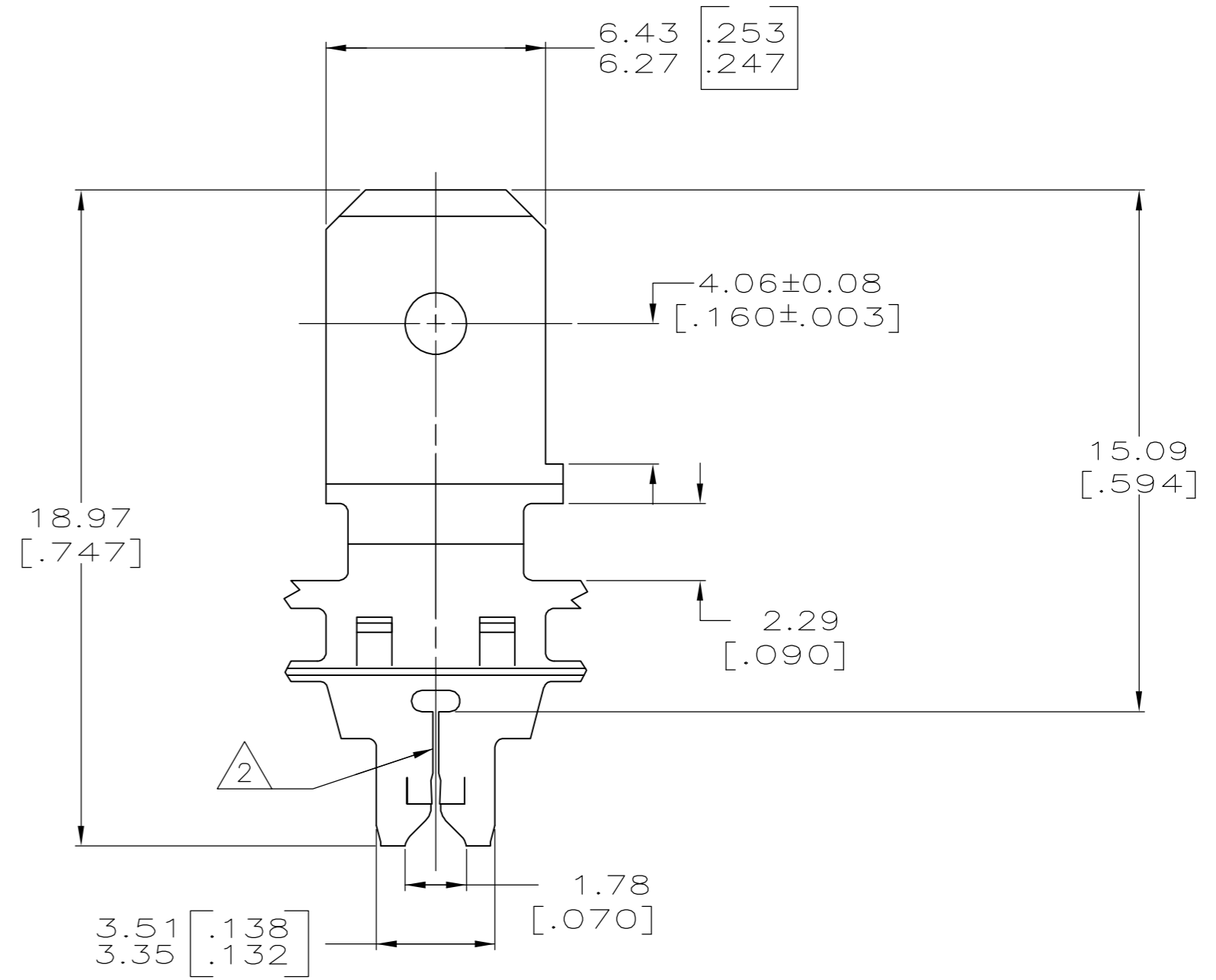
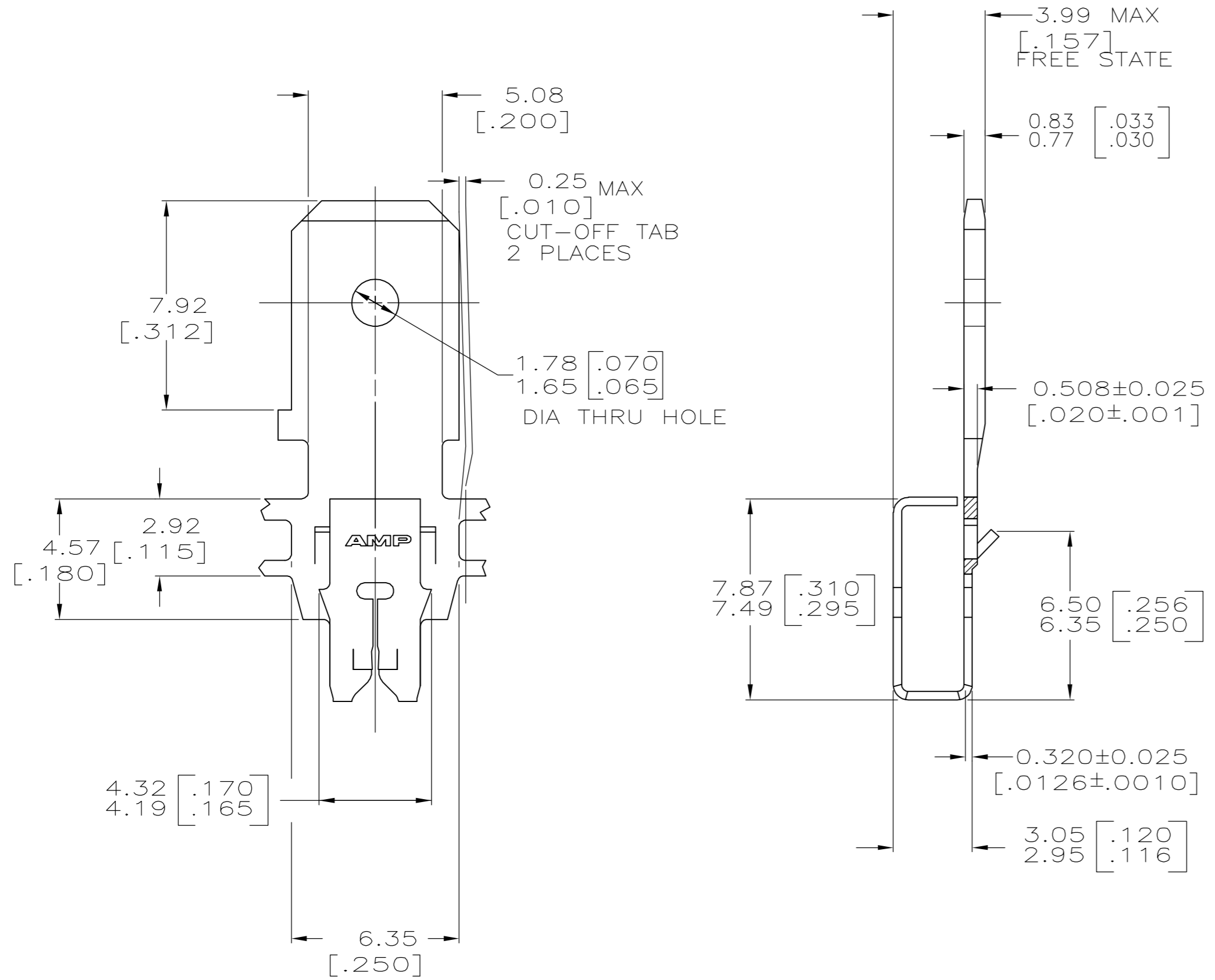


THIS DRAWING IS UNPUBLISHED. RELEASED FOR PUBLICATION
 © COPYRIGHT BY TYCO ELECTRONICS CORPORATION. ALL RIGHTS RESERVED.

LOC		DIST		REVISIONS			
P	LTR	DESCRIPTION		DATE	DWN	APVD	
AF	50	B		REVISED PER ECR-06-010412	31OCT06	HMR KR	



- 1 CONTINUOUS STRIP ON REELS WITH TERMINALS LOCATED ON 8.38±0.08 [.330±.003] CENTERS.
- 2 SLOT ACCEPTS 0.25-0.32mm [#30-#28] AWG COPPER MAGNET WIRE.



1217152

1217152-1
PART NUMBER

THIS DRAWING IS A CONTROLLED DOCUMENT.		DWN MICHAEL S. FEHER OBAPR1999	Tyco Electronics Corporation Harrisburg, PA 17105-3608	
DIMENSIONS: mm [INCHES]		CHK PHILLIP M. FORTNEY OBAPR1999		
TOLERANCES UNLESS OTHERWISE SPECIFIED:		APVD PETE DESANTIS OBAPR1999	NAME TAB, 6.35[.250] FASTON™ 300 SERIES MAG-MATE™	
0 PLC ± - 1 PLC ± - 2 PLC ± 0.25[.010] 3 PLC ± - 4 PLC ± - ANGLES ± 1°		PRODUCT SPEC 108-2012	SIZE A2	CAGE CODE 00779
MATERIAL 4M PRE-MILLED BRASS		FINISH 0.002032 [.000080] MIN TIN PLATE	WEIGHT -	DRAWING NO C=1217152
CUSTOMER DRAWING			RESTRICTED TO -	SCALE 6:1
			SHEET 1 OF 1	REV B

单击下面可查看定价，库存，交付和生命周期等信息

[>>TE Connectivity\(泰科\)](#)