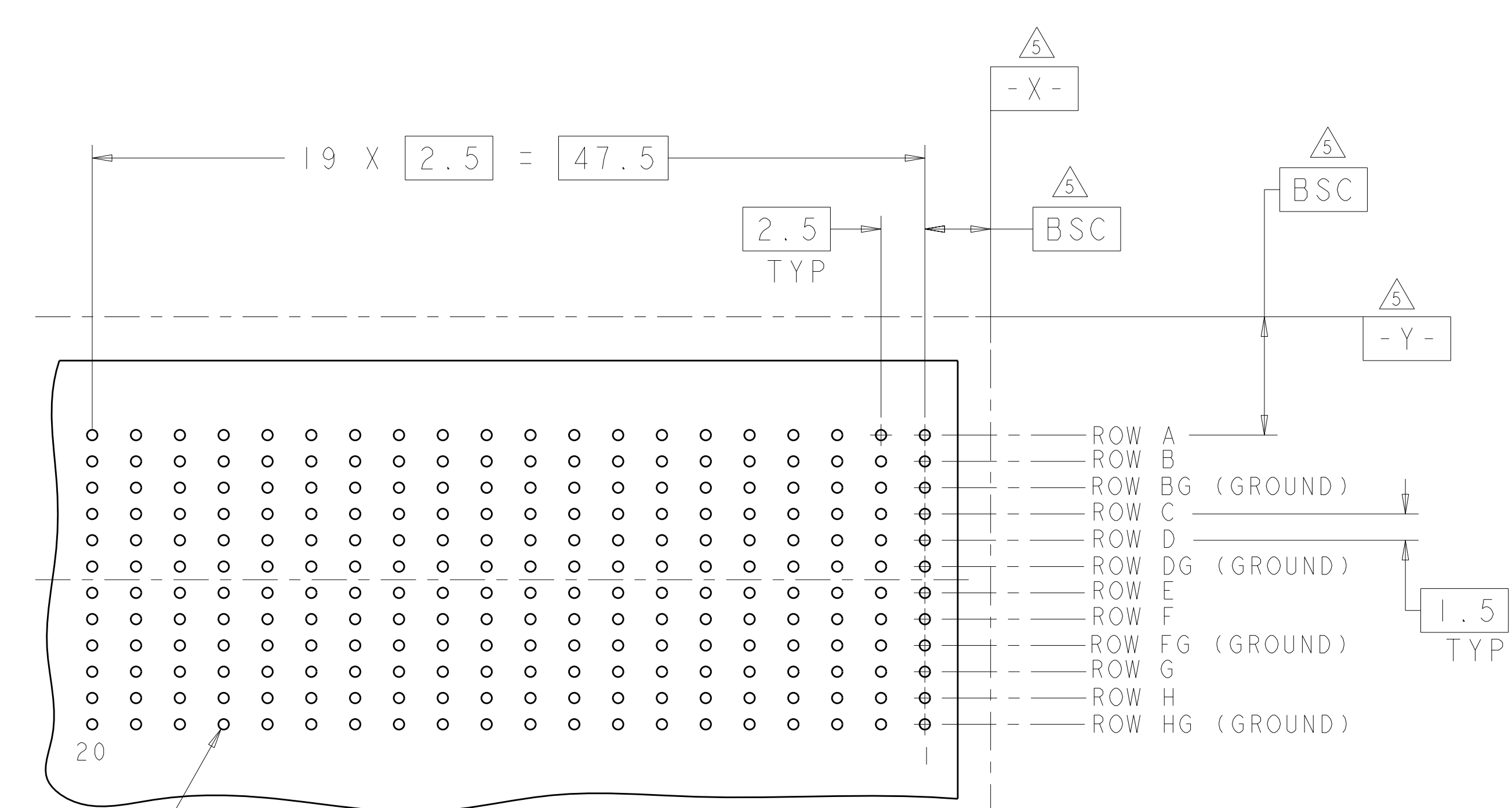
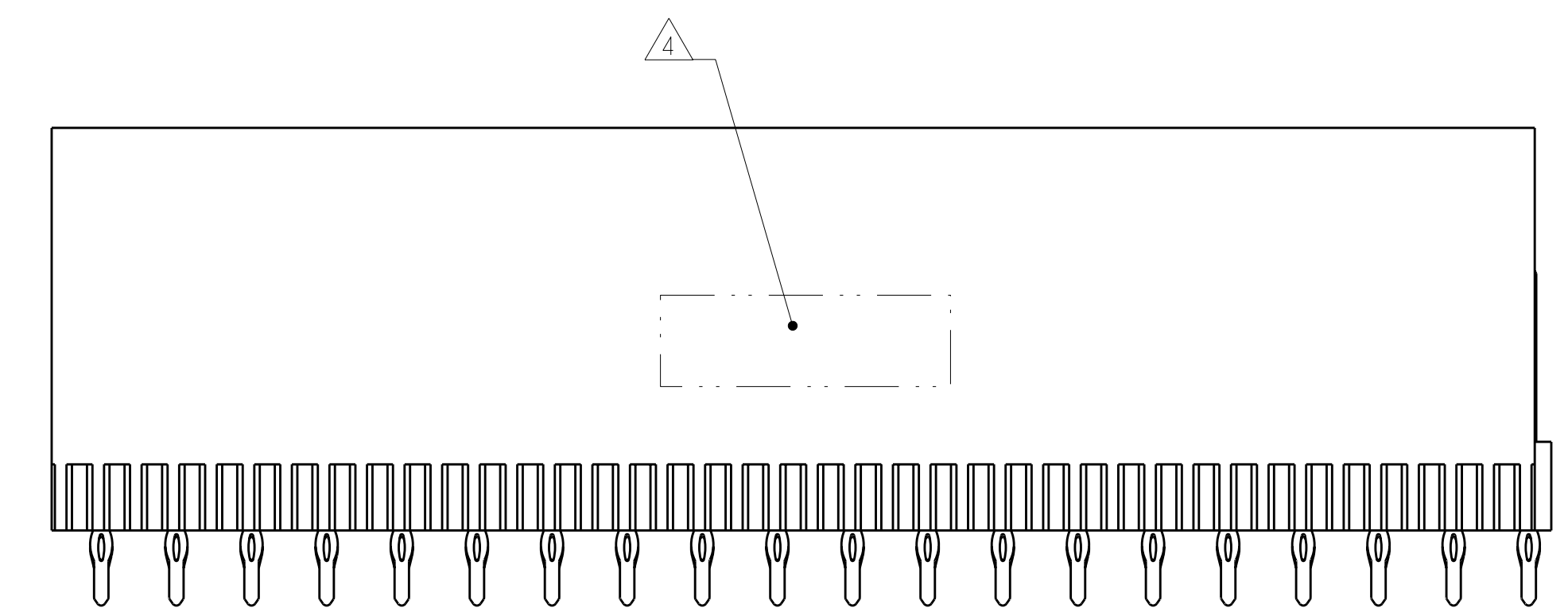
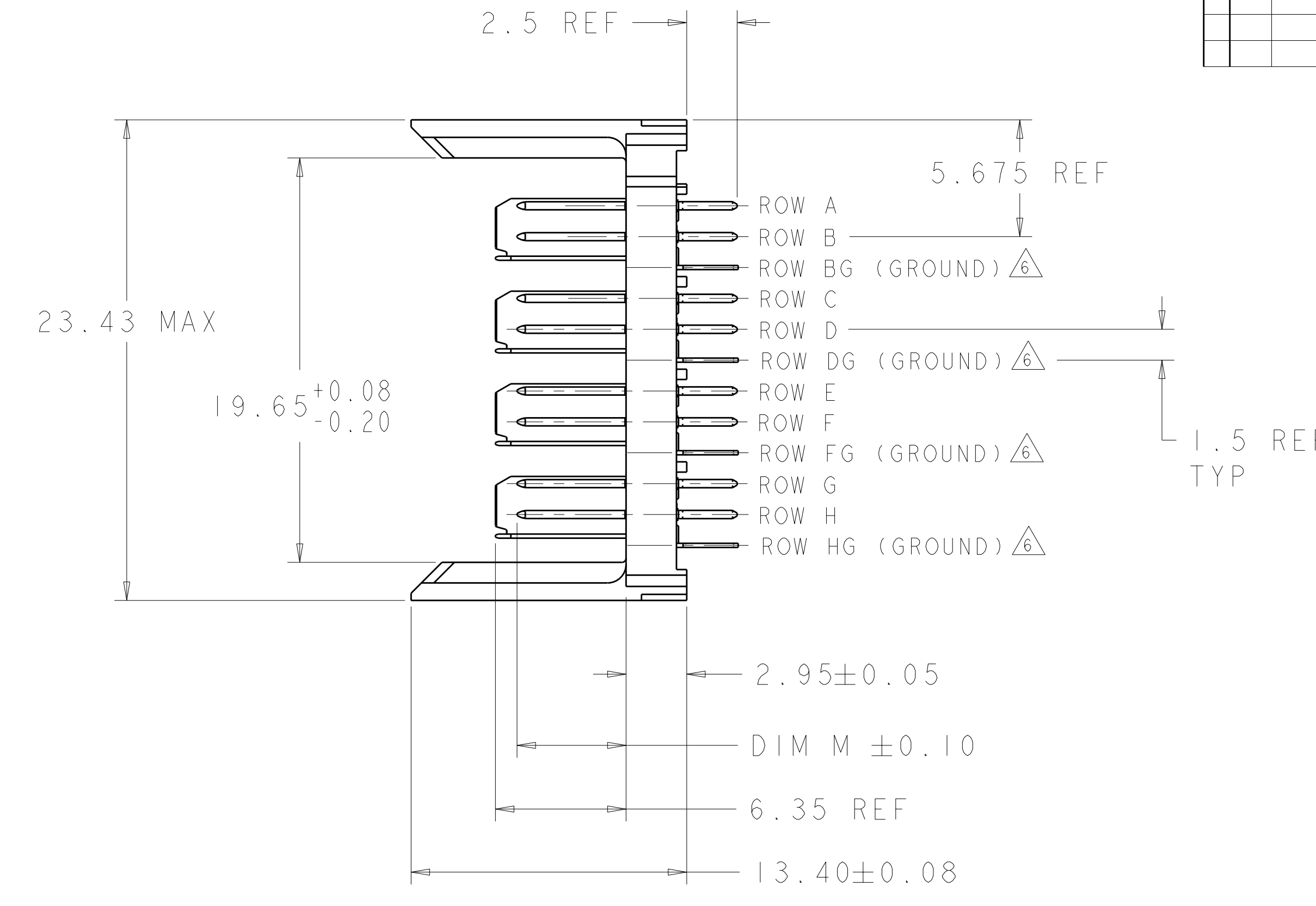
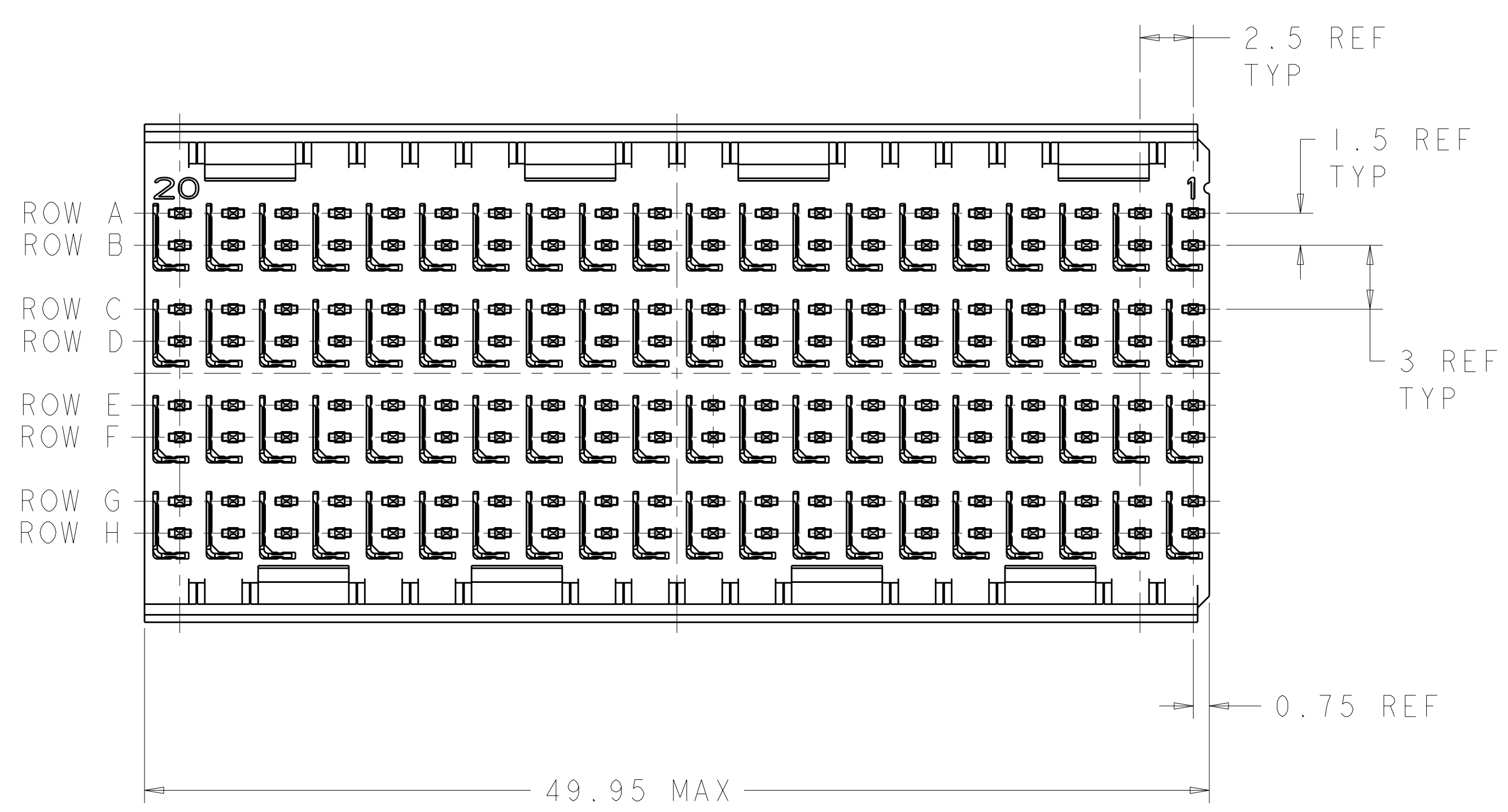


LOC	DIST	REV	DATE	DWN	APVD
AD	00	B	17JAN12	KH	DY



⊕ Ø0.05Ⓢ X Y
 ALL PLATED THRU HOLES

RECOMMENDED PC BOARD LAYOUT, BACKPLANE, COMPONENT SIDE SHOWN
 SCALE 4:1

- ⚠ REFERENCE APPLICATION SPEC 114-13059 FOR RECOMMENDED PLATED THRU HOLE DIAMETER AND PLATING THICKNESSES.
- ⚠ MATERIAL:
 CONTACT AND SHIELD - PHOSPHOR BRONZE
 HOUSING - GLASS FILLED POLYESTER, UL 94V-0.
- ⚠ FINISH: SIGNAL AND GROUND CONTACTS:
 MATING AREA: MEETS THE PERFORMANCE REQUIREMENTS OF PRODUCT SPECIFICATION 108-2055; BASED ON TELCORDIA GR-1217-CORE, APPLICATIONS IN UNCONTROLLED ENVIRONMENTS
 COMPLIANT PIN AREA: 0.5 μm MIN MATTE TIN OVER BASE PLATING
- ⚠ CONNECTOR MARKED WITH PART NUMBER AND DATE CODE.
- ⚠ DATUMS AND BASIC DIMENSIONS ESTABLISHED BY CUSTOMER.
- ⚠ THE FOUR GROUNDS IN EACH COLUMN ARE COMMONED.
- 7. CONTACT AREA LUBRICATED WITH BELLCORE APPROVED LUBRICANT. TECHNICAL REFERENCE: GR-1217-CORE, ISSUE 1, NOVEMBER 1995.
- ⚠ OBSOLETE PARTS: OBSOLETE CIS STREAMLINING PER D.RENAUD/D.SINISI

⚠ OBSOLETE	3.80	6469062-2
	5.30	6469062-1
	DIM M	PART NUMBER

THIS DRAWING IS A CONTROLLED DOCUMENT.		DWN S.J.MAGARO 25JUN2004	TE Connectivity
DIMENSIONS: mm		CHK R.A.PATTERSON 25JUN2004	
TOLERANCES UNLESS OTHERWISE SPECIFIED:		APVD R.PATTERSON 20AUG2007	NAME: HEADER ASSEMBLY, 4 PAIR, 2.5mm TAIL, 50mm, HMZd
0 PLC ± 1 PLC ± 2 PLC ± 3 PLC ± 4 PLC ± ANGLES ±	± ± ± ± ±	PRODUCT SPEC	SIZE: CAGE CODE DRAWING NO. RESTRICTED TO
MATERIAL	FINISH	APPLICATION SPEC	SCALE 5:1 SHEET 1 OF 1 REV B
CUSTOMER DRAWING		WEIGHT	A100779C=6469062

单击下面可查看定价，库存，交付和生命周期等信息

[>>TE Connectivity\(泰科\)](#)