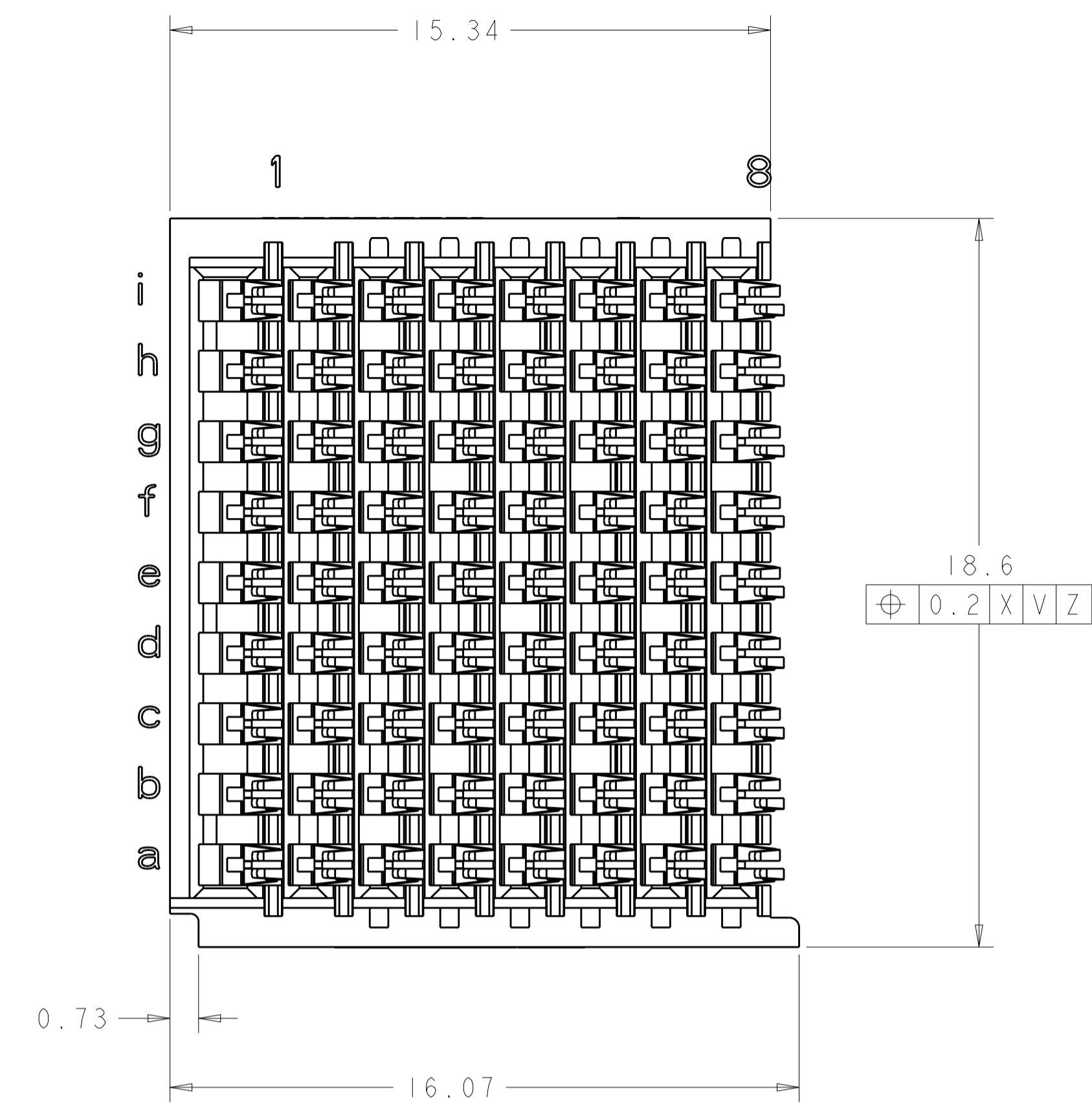
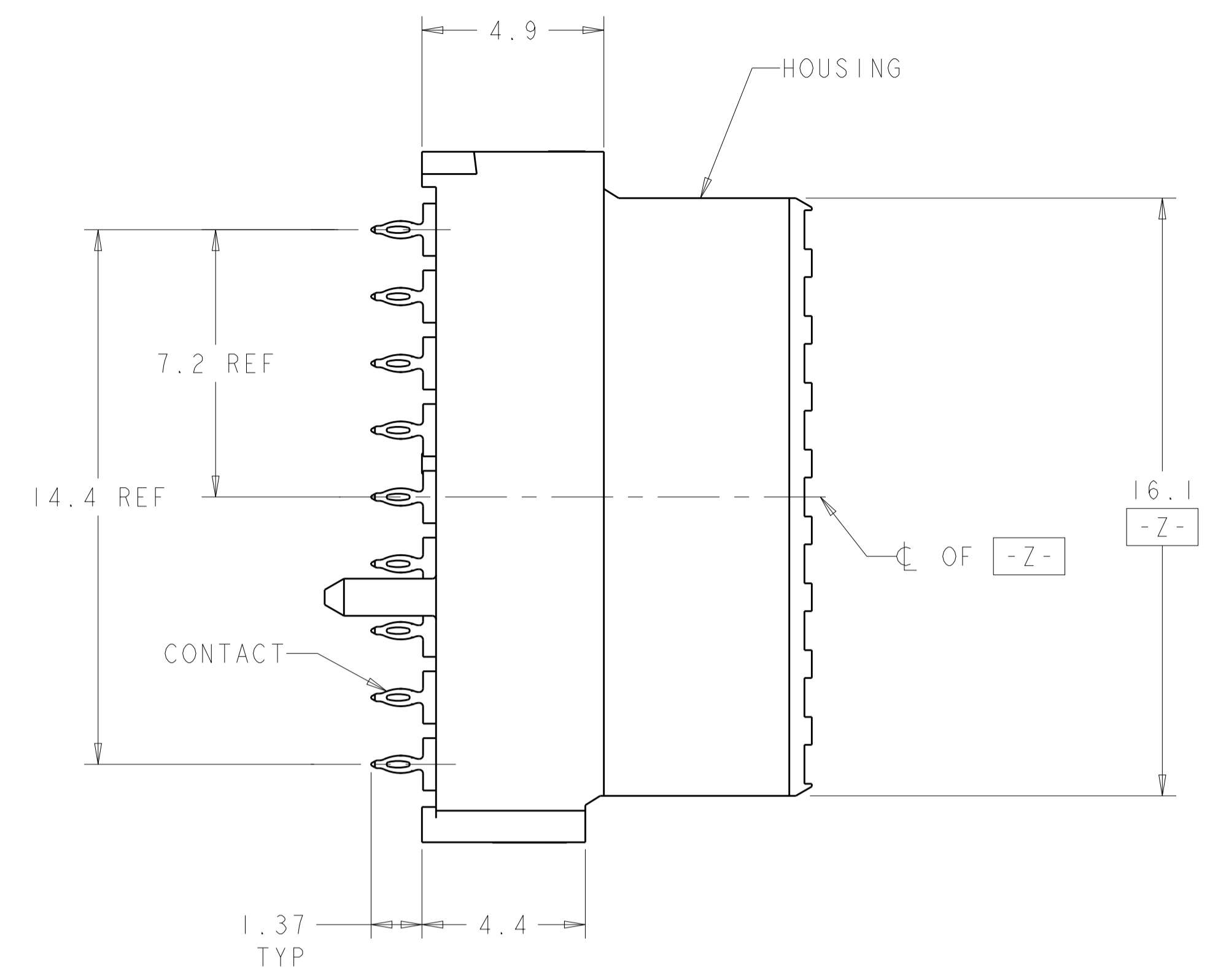
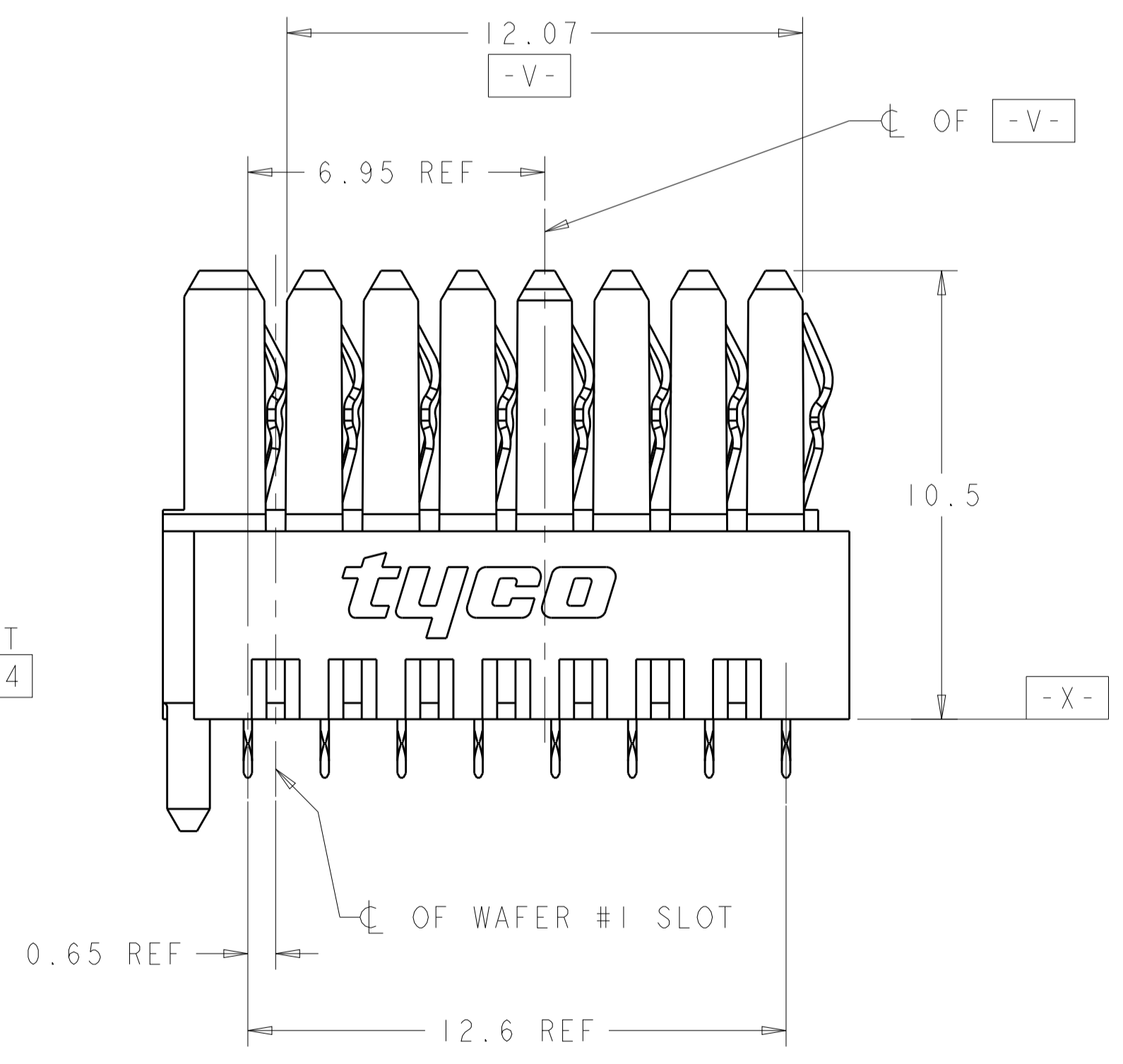
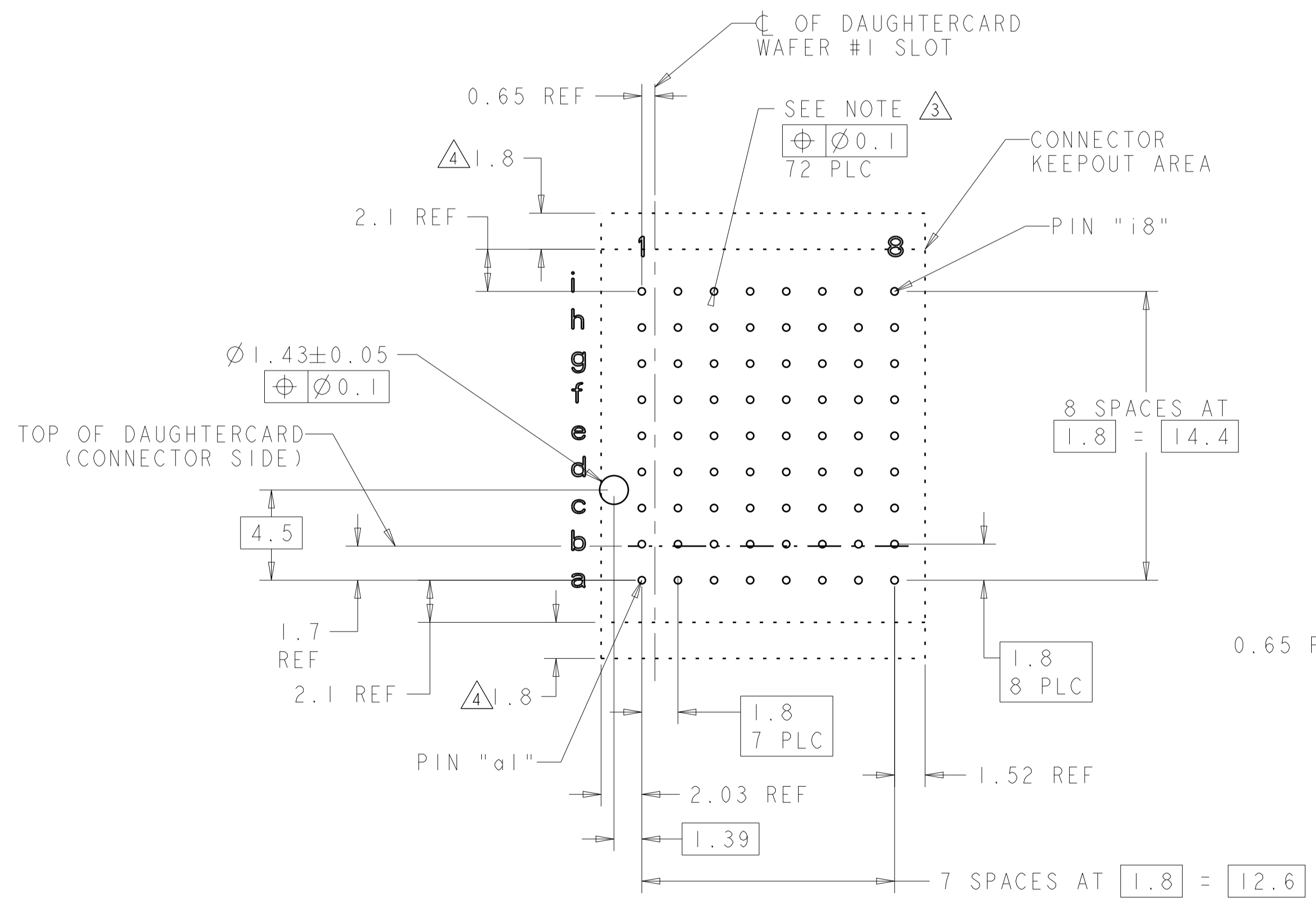


REVISIONS				
P	LTN	DESCRIPTION	DATE	APVD
A		RELEASED PER ECO-19-001811	05FEB2019	DCB AT
B		REVISED PER ECO-19-002318	14FEB2019	DCB DH



- △ HOUSING: LCP, UL94V0, COLOR: BLACK.
CONTACT: PHOSPHOR BRONZE.
- △ FINISH: 1.27µm GOLD IN CONTACT AREA 1.27µm MIN. TIN-LEAD ON PCB TAIL OVER 2.54µm MIN. NICKEL OVER ALL.
- △ PLATED THRU HOLE SPECIFICATION:
 DRILLED HOLE: $\varnothing 0.45 \pm 0.02$
 0.025-0.050 THICK COPPER PLATING (MAX HARDNESS 150 KNOOP)
 FINISH OPTIONS:
 0.0038-0.0124 HOT AIR SOLDER LEVELING (HASL) TIN-LEAD (SnPb)
 0.0005-0.004 IMMERSION TIN (Sn)
 0.0002-0.0005 ORGANIC SOLDERABILITY PRESERVATIVE (OSP)
 0.0001-0.0005 IMMERSION SILVER (Ag)
 0.0001-0.0005 IMMERSION GOLD OVER 0.00127-0.0076 NICKEL (ENIG)
 FINISH HOLE DIAMETER AFTER PLATING = $\varnothing 0.36$ REF
- △ ADDITIONAL CONNECTOR-SIDE KEEP-OUT AREA REQUIRED IF CONNECTOR-SIDE EXTRACTION TOOL IS TO BE USED.
- △ FINISH: 1.27µm MIN GOLD IN CONTACT AREA, 0.50µm MIN TIN ON PCB TAIL OVER 2.54µm MIN. NICKEL OVER ALL.



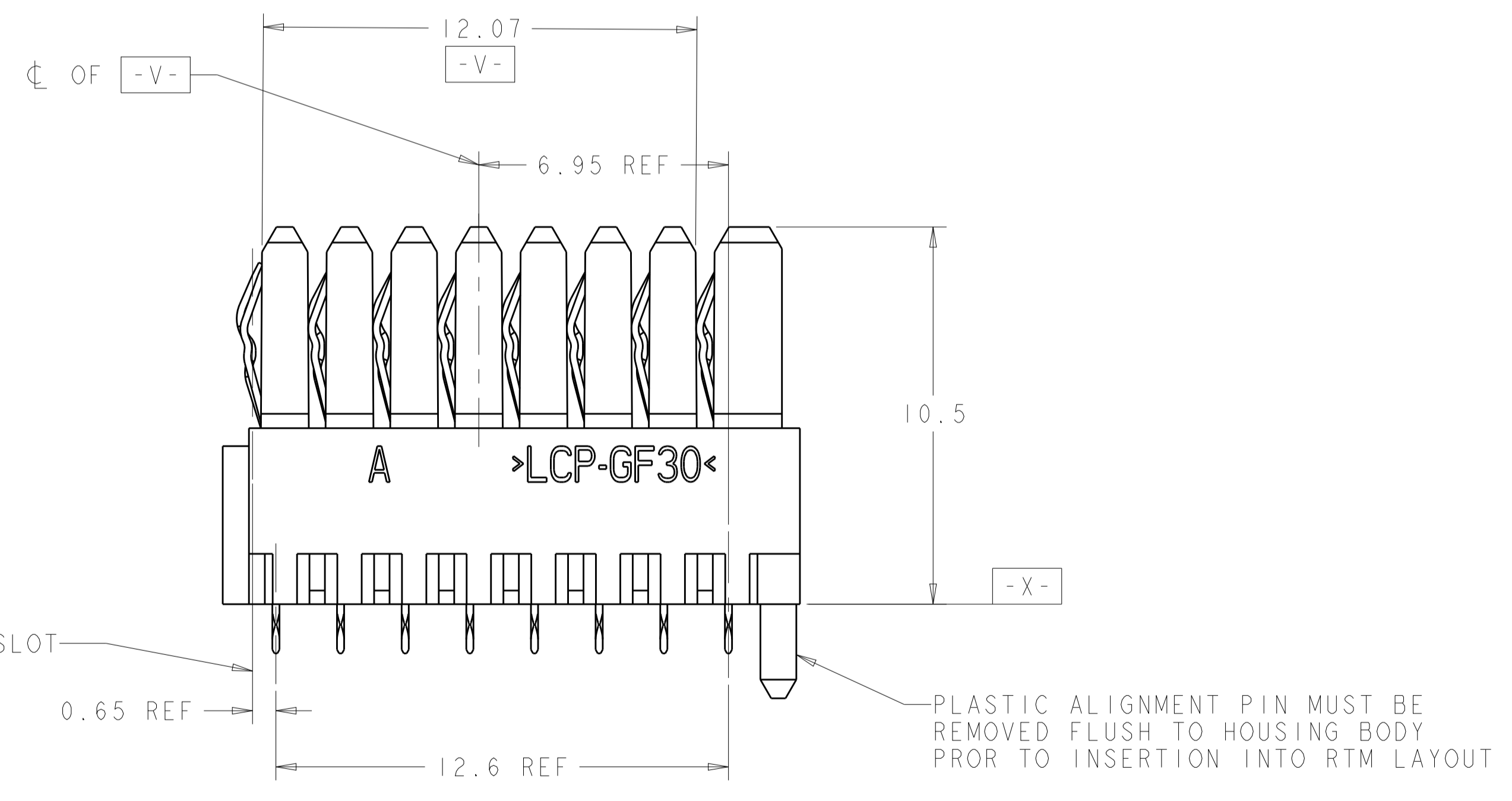
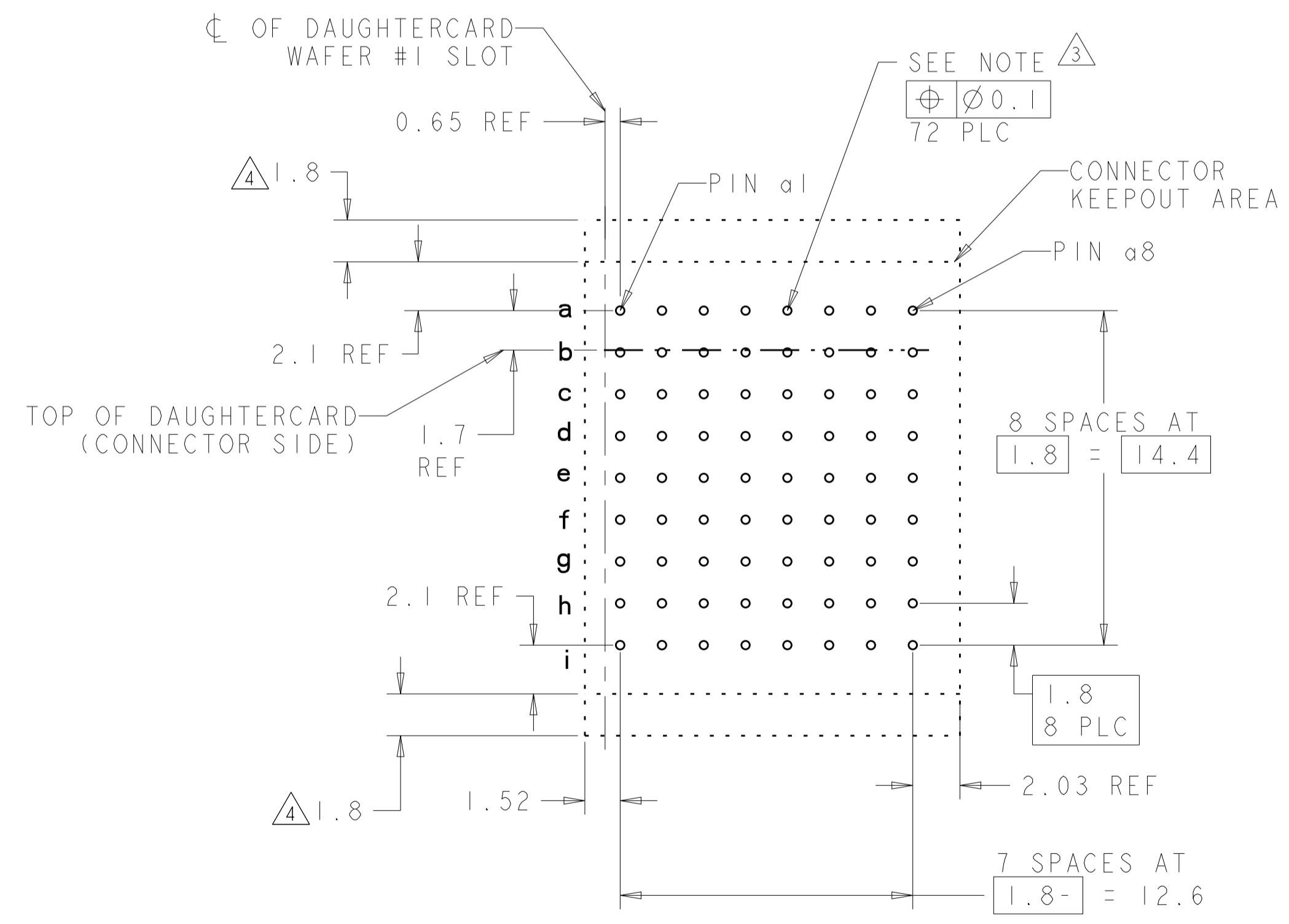
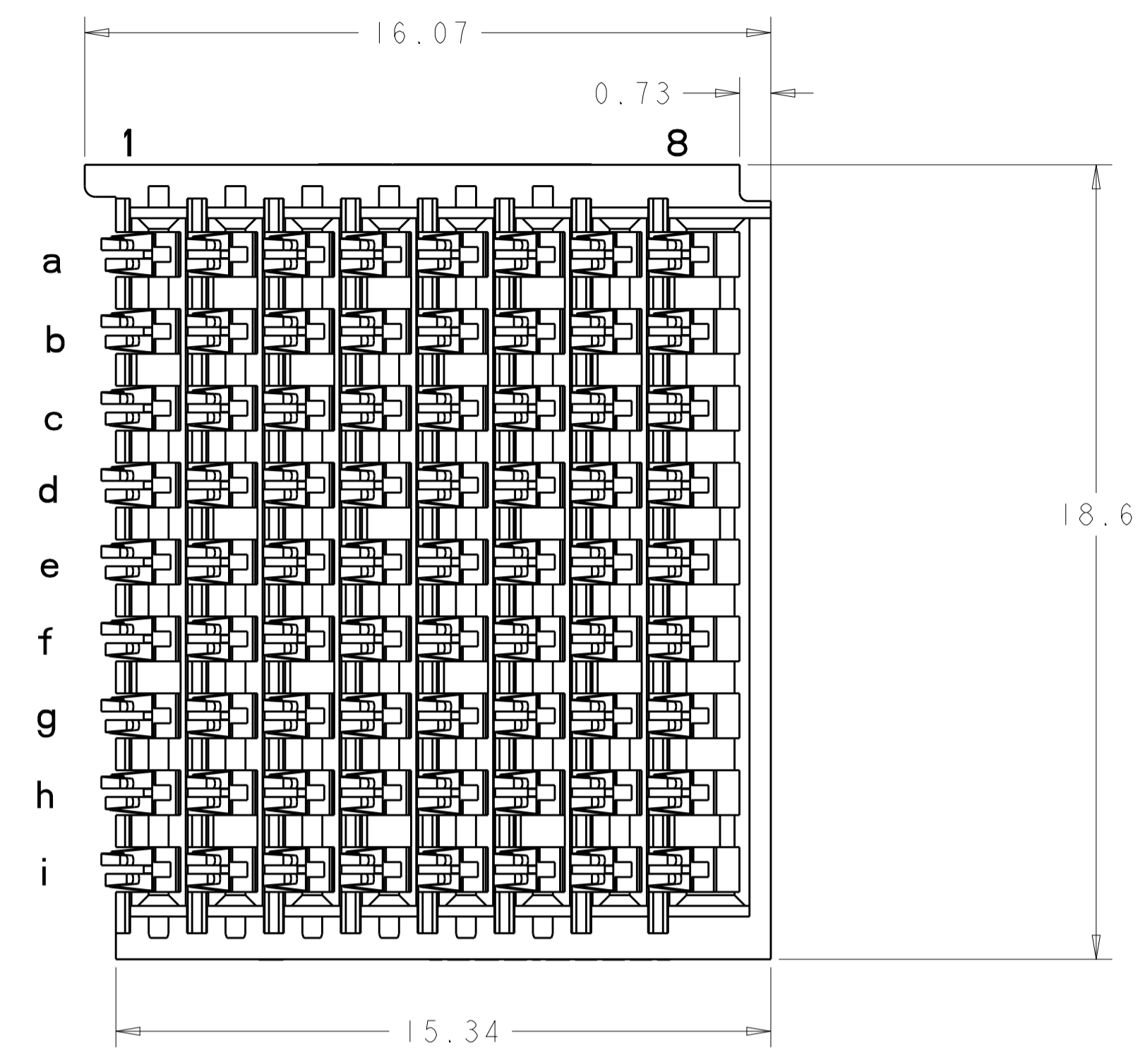
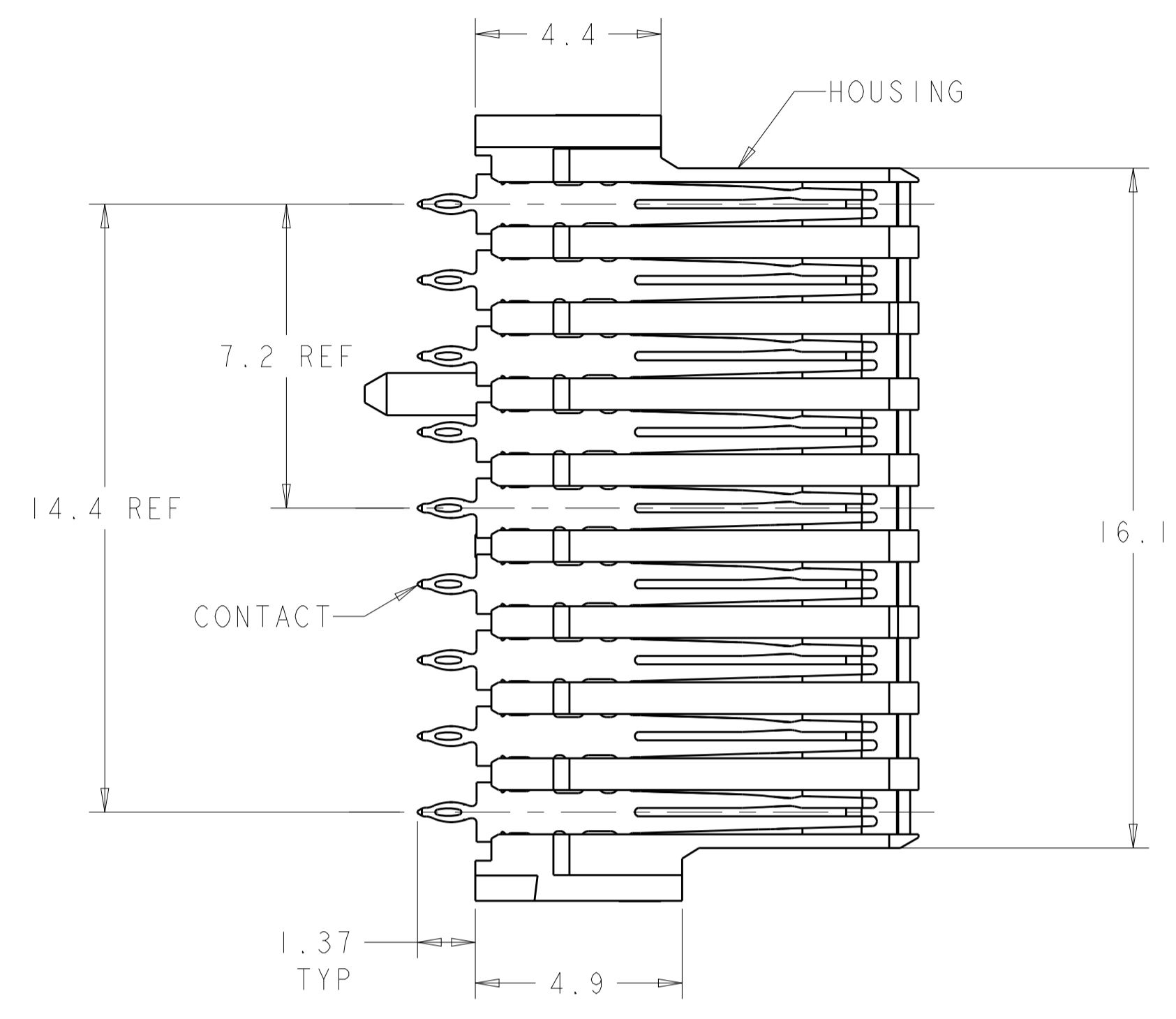
PC BOARD LAYOUT (CONNECTOR SIDE)
 SEE SHEET 2 FOR RTM)
 SCALE 5:1

△ 5	2302788-2
△ 2	2302788-1
PLATING	PART NO

THIS DRAWING IS A CONTROLLED DOCUMENT.		DWN: R. MILLER 09AUG2016 CHK: A. TSANG 09AUG2016 APVD:	STE TE Connectivity	
DIMENSIONS: mm TOLERANCES UNLESS OTHERWISE SPECIFIED: 0 PLC ± 1 PLC ±0.5 2 PLC ±0.13 3 PLC ± 4 PLC ± ANGLES ±1°		PRODUCT SPEC: 108-2072-3 APPLICATION SPEC: 114-163004 WEIGHT: 3.55g RESTRICTED CUSTOMER	NAME: VERTICAL RECEPTACLE ASSEMBLY, LEFT END, HALF, MULTIGIG RT 3 SIZE: CAGE CODE DRAWING NO: A100779C=2302788 RESTRICTED TO:	
MATERIAL: SEE TABLE		SCALE: 8:1 SHEET 1 OF 2 REV B		

REVISIONS				
P.	LTN	DESCRIPTION	DATE	APVD
-	-	SEE SHEET 1	-	-

REAR TRANSITION MODULE APPLICATION



RTM PC BOARD LAYOUT (CONNECTOR SIDE)
 SCALE 5:1

THIS DRAWING IS A CONTROLLED DOCUMENT.		DWN R. MILLER 09AUG2016	APVD A. TSANG 09AUG2016	NAME VERTICAL RECEPTACLE ASSEMBLY, LEFT END, HALF, MULTIGIG RT 3
DIMENSIONS: mm		TOLERANCES UNLESS OTHERWISE SPECIFIED: 0 PLC ± 1 PLC ±0.5 2 PLC ±0.13 3 PLC ± 4 PLC ± ANGLES ±1°		PRODUCT SPEC 108-2072-3
MATERIAL		FINISH SEE TABLE		APPLICATION SPEC 114-163004
		WEIGHT 3.55g		SIZE A100779C=2302788
		RESTRICTED CUSTOMER		RESTRICTED TO
		SCALE 8:1		SHEET 2 OF 2
				REV B

单击下面可查看定价，库存，交付和生命周期等信息

[>>TE Connectivity\(泰科\)](#)