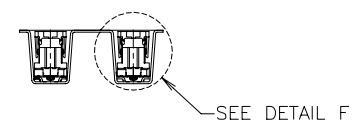
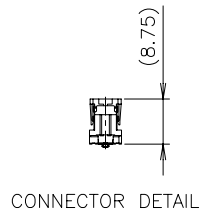
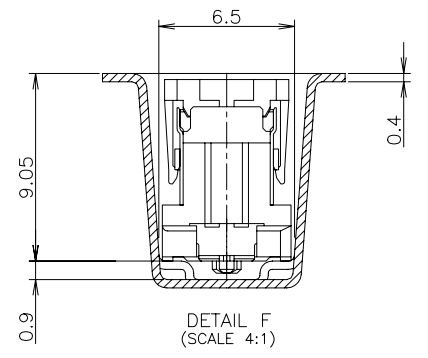
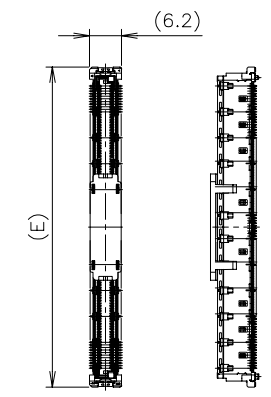
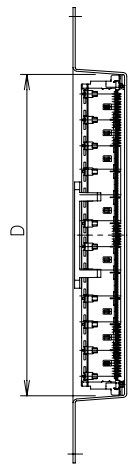
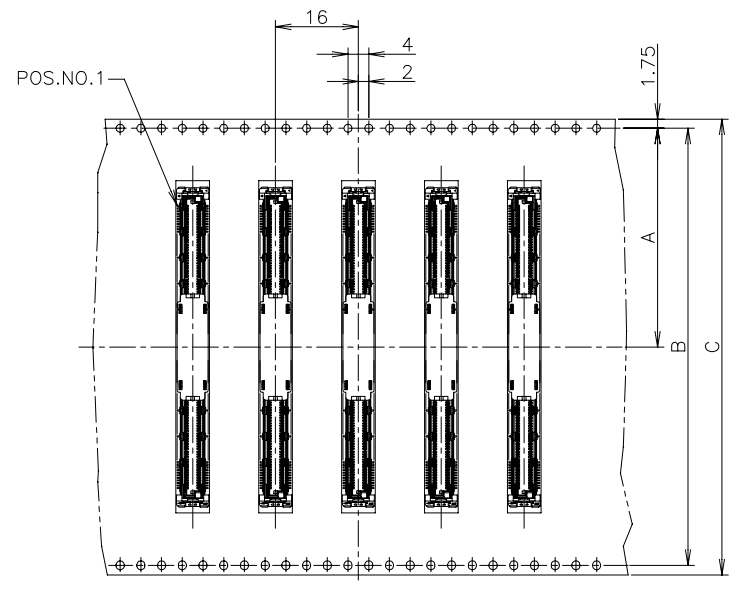


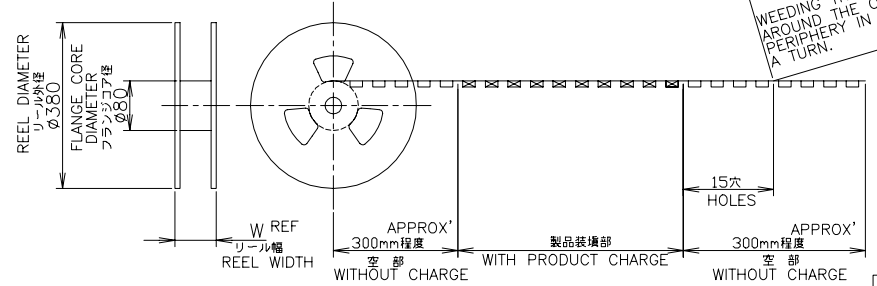
REVISIONS				
P	LTR	DESCRIPTION	DATE	DWN APVD
	A1	ECN-21-114380:ADD MATED CONDITION	31AUG2021	A.L H.L

リール引出し方向  
DIRECTION OFF TOP OF REEL



SEE DETAIL F

カバーテープ  
リッター部  
外周一巻  
WEEDING THE COVER TAPE  
AROUND THE OUTER  
PERIPHERY IN  
A TURN.



YES $\Delta$	400	59.5	57.7	57.1	54.5	95	61.8	62.1	88	84.4	42.25	220	BLACK	8-2040713-6
NO	400	59.5	57.7	57.1	54.5	95	61.8	62.1	88	84.4	42.25	220	BLACK	3-2040713-6
SEALANT	QTY	T	S	P	N	W	E	D	C	B	A	POS.	HSG COLOR	PART NO.

THIS DRAWING IS A CONTROLLED DOCUMENT.

DWN Y.NAKAZAWA 12MAR2008  
CHK T.FUTATSUGI 12MAR2008  
APVD T.FUTATSUGI 12MAR2008

NAME 名称  
DWN Y.NAKAZAWA 12MAR2008  
CHK T.FUTATSUGI 12MAR2008  
APVD T.FUTATSUGI 12MAR2008

PRODUCT SPEC  
製品規格  
108-5560

APPLICATION SPEC  
取付適用規格

WEIGHT

MATERIAL 材料

FINISH 仕上

SCALE 尺度 1:1

SHEET 1 OF 3

REV A1

CUSTOMER DRAWING

SIZE A3

CAGE CODE 00779

DRAWING NO. 番号 G=2040713

RESTRICTED TO

TE Connectivity Ltd.

EMBOSS ASSY  
FH 0.5BTB CONNECTOR 220 POS  
PLUG 8H WITH GROUND PLATE AND CAP

4 3 2 1

© 2008 TE Connectivity. All Rights Reserved.

REVISIONS					
變更					
P	LTR	DESCRIPTION	DATE	DWN	APVD
-	-	SEE SHEET 1	-	-	-

PLUG CONNECTOR  
P/N: \*-2040713-\*

REC CONNECTOR  
P/N: \*-2040714-\*

① FULL-MATED CONDITION

⚠ MATERIAL; HOUSING: HIGH TEMP THERMO PLASTIC UL94V-0  
CONTACT: COPPER ALLOY  
SOLDER PEG: COPPER ALLOY

⚠ FINISH ; SIGNAL CONTACT: UNDER PL Ni 0.0013mm MIN ALL OVER.  
CONTACT AREA 0.00076mm MIN Au PL.  
SOLDERING AREA 0.001mm MIN TIN PL.  
GROUND CONTACT: UNDER PL Ni 0.0013mm MIN ALL OVER.  
CONTACT AREA 0.00076mm MIN Au PL.  
SOLDERING AREA 0.001mm MIN TIN PL.  
SOLDER PEG: 0.001mm MIN TIN PL. OVER  
0.0013mm MIN Ni PL ALL OVER.

⚠ THIS POSITION IS GROUND CIRCUIT.

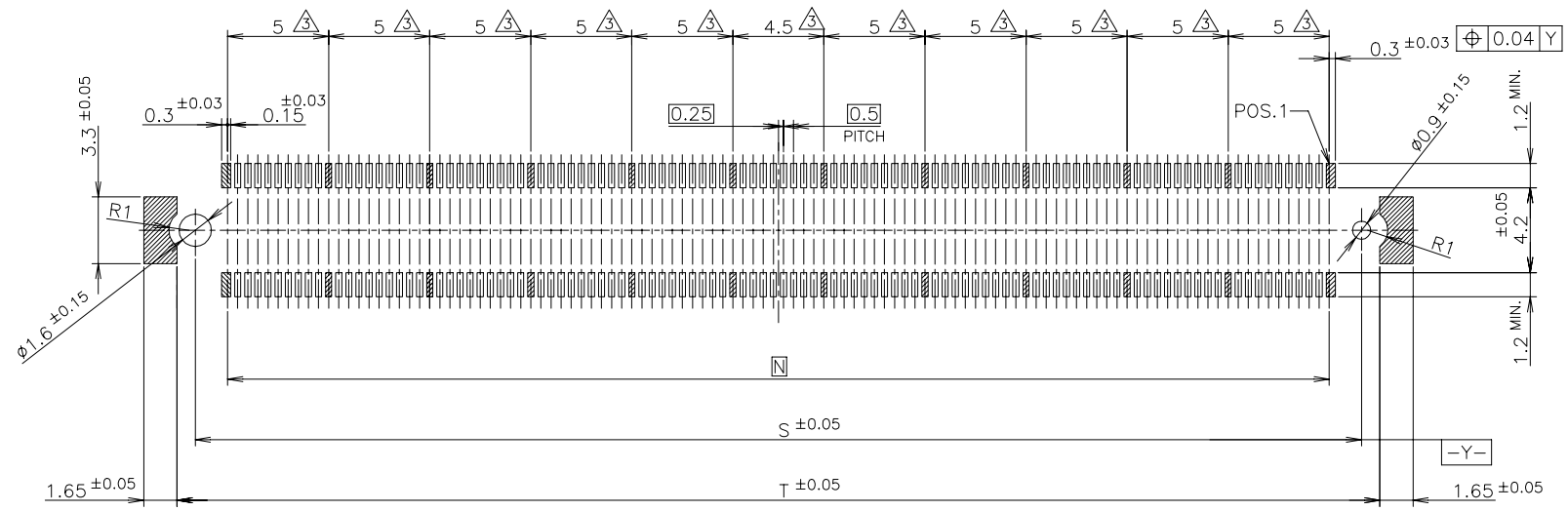
⚠ THIS PRODUCT WAS COATED BY FLUX-PENETRATION-INHIBITING AGENT.

THIS DRAWING IS A CONTROLLED DOCUMENT.

DIMENSIONS: 單位: 耗 mm	TOLERANCES UNLESS OTHERWISE SPECIFIED: 一般公差	DWN	TE Connectivity Ltd.
0 PLC ± 0.3 1 PLC ± 0.3 2 PLC ± 0.3 3 PLC ± 0.3 4 PLC ± 0.3 ANGLES ± 3'	APVD	CHK	
MATERIAL 材料	FINISH 仕上	PRODUCT SPEC 製品規格	NAME 名称
		APPLICATION SPEC 取付適用規格	EMBOSS ASSY FH 0.5BTB CONNECTOR 220 POS PLUG 8H WITH GROUND PLATE AND CAP
		WEIGHT	SIZE CAGE CODE A3 00779
		CUSTOMER DRAWING	DRAWING NO G=2040713
			RESTRICTED TO
		SCALE 尺度 4:1	SHEET 2 OF 3
			REV A1

1470-19 (1/15) Downloaded From Oneyac.com

REVISIONS					
P	LTR	DESCRIPTION	DATE	DWN	APVD
-	-	SEE SHEET 1	-	-	-



REFERENCE P.C. BOARD LAYOUT

THIS DRAWING IS A CONTROLLED DOCUMENT.		DWN	TE Connectivity Ltd.	
DIMENSIONS: 單位: 耗 mm		CHK		
TOLERANCES UNLESS OTHERWISE SPECIFIED: 一般公差		APVD	EMBOSS ASSY	
0 PLC ± 0.3 1 PLC ± 0.3 2 PLC ± 0.3 3 PLC ± 0.3 4 PLC ± 0.3 4 ANGLES ± 3°		PRODUCT SPEC 製品規格	FH 0.5BTB CONNECTOR 220 POS	
MATERIAL 材料		APPLICATION SPEC 取付適用規格	PLUG 8H WITH GROUND PLATE AND CAP	
FINISH 仕上		WEIGHT	SIZE A3	RESTRICTED TO
		CUSTOMER DRAWING	CAGE CODE 00779	DRAWING NO G=2040713
			SCALE 尺度 4:1	SHEET 3 OF 3
				REV A1

单击下面可查看定价，库存，交付和生命周期等信息

[>>TE Connectivity\(泰科\)](#)