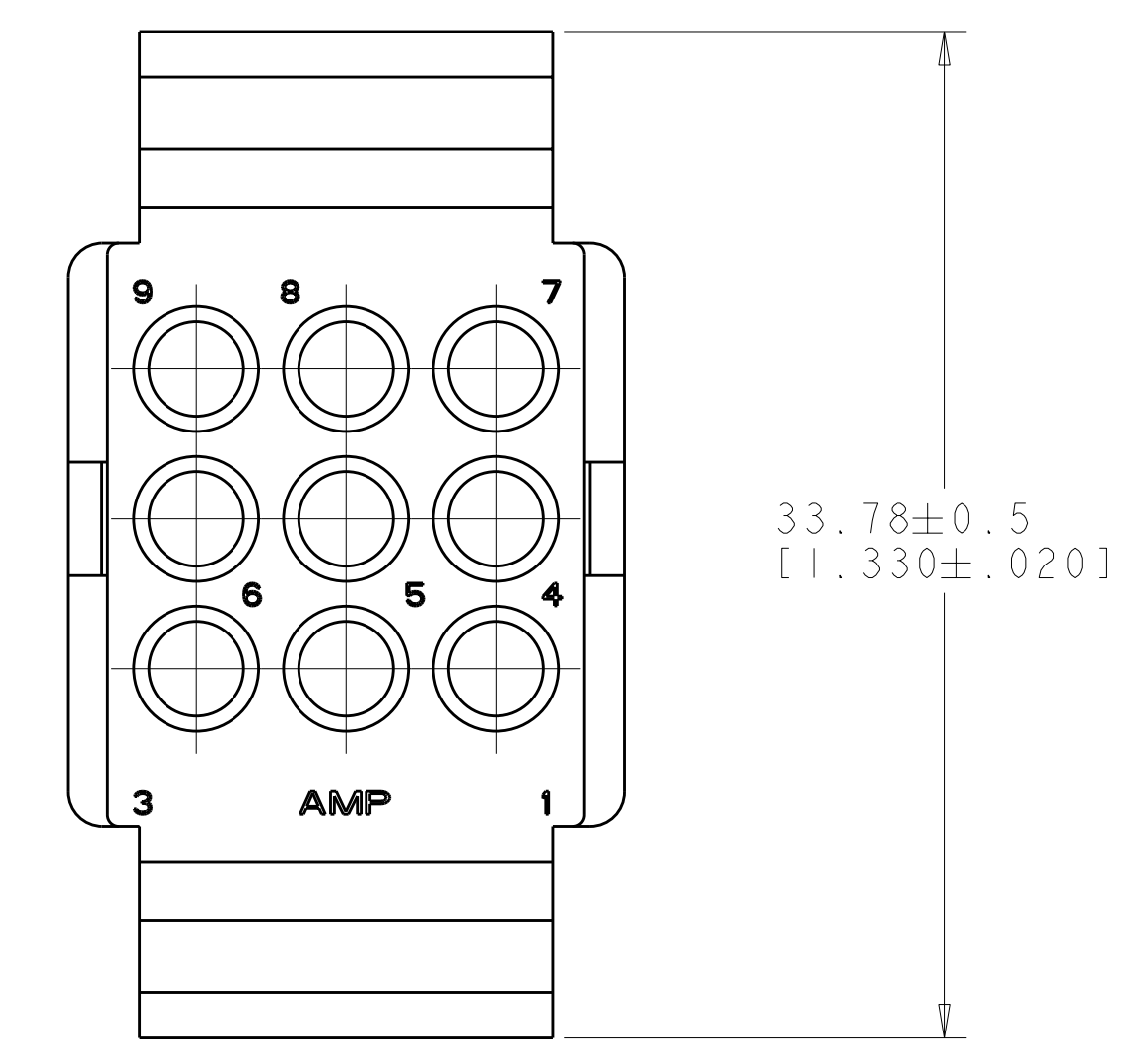
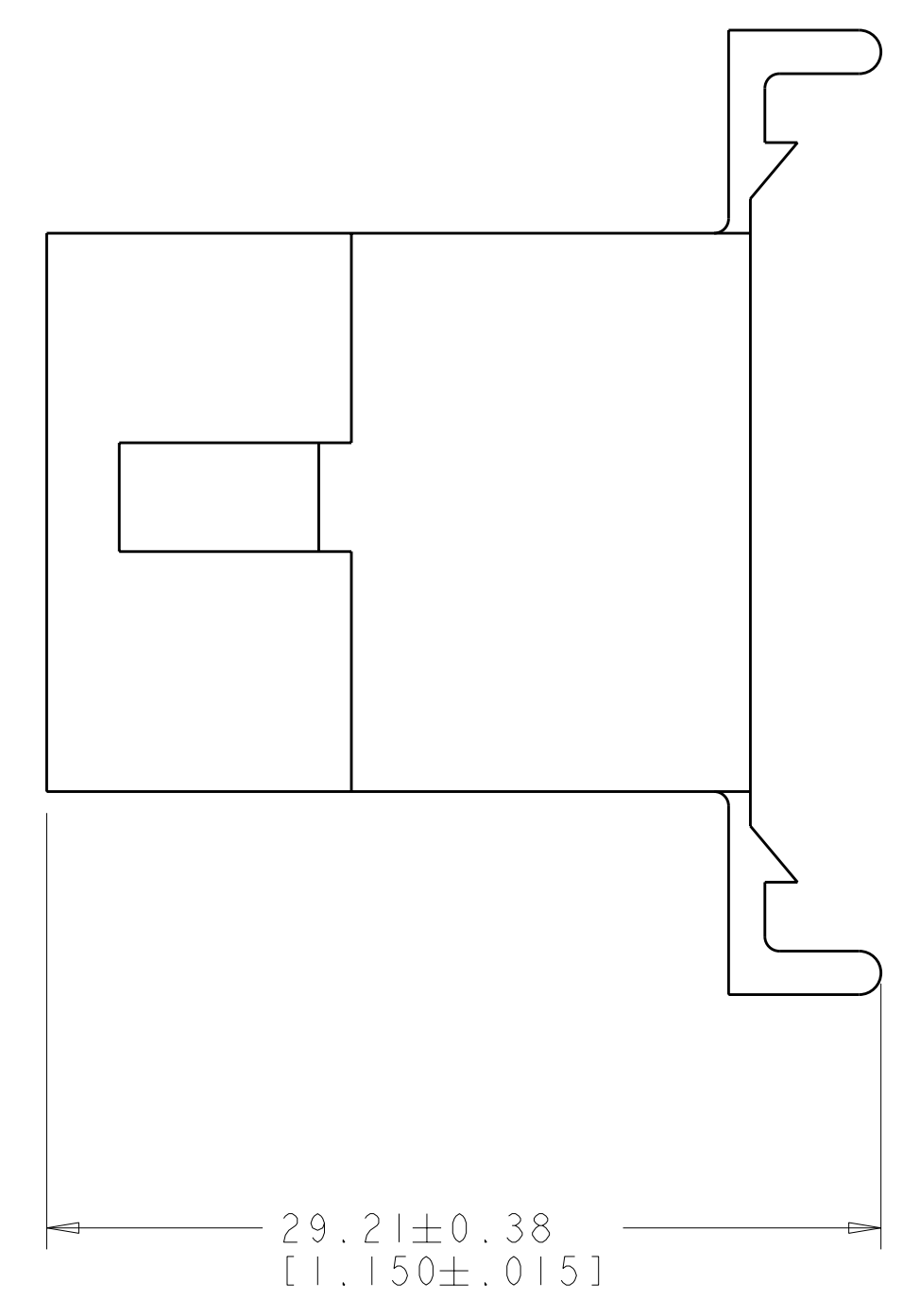
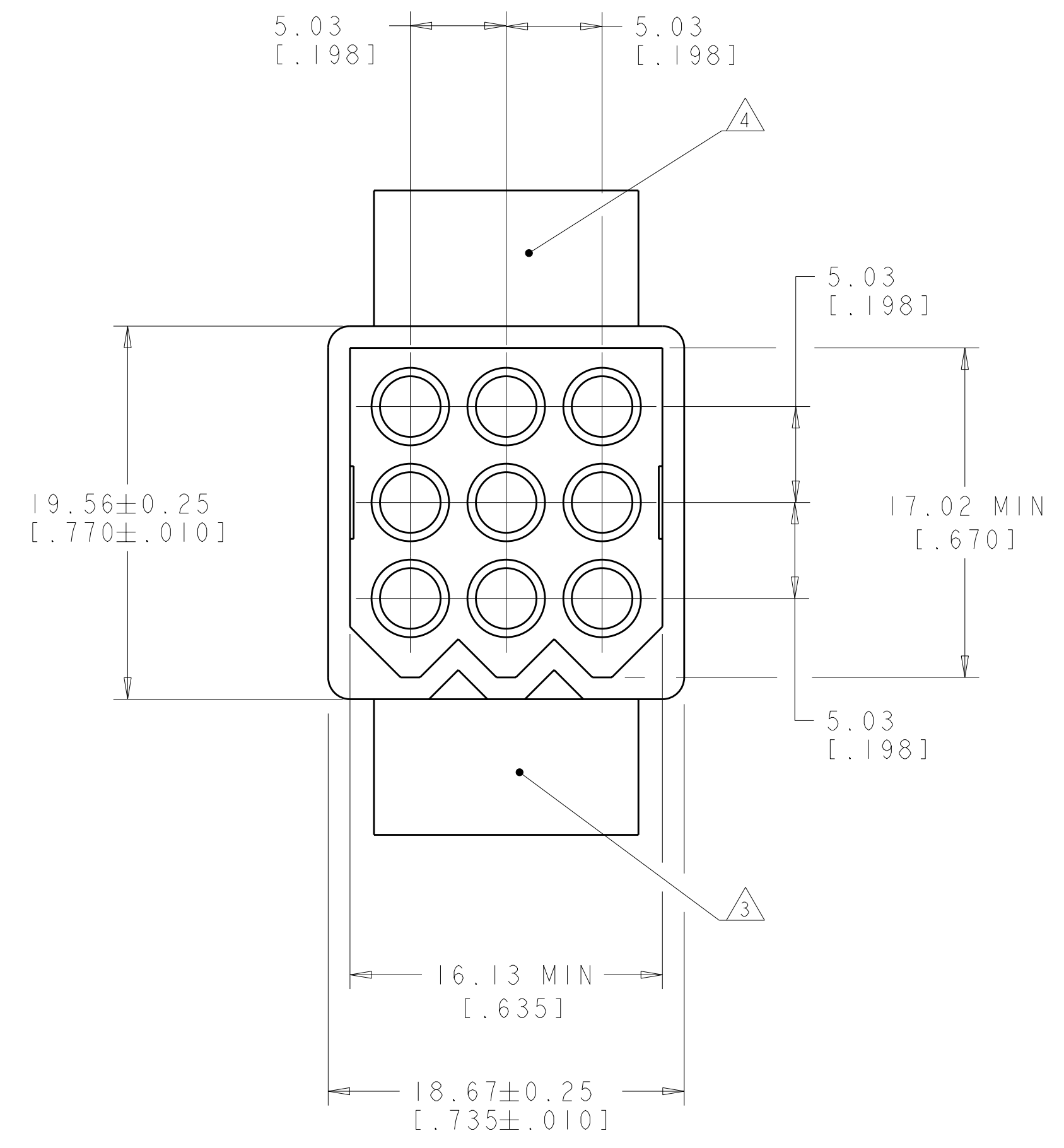
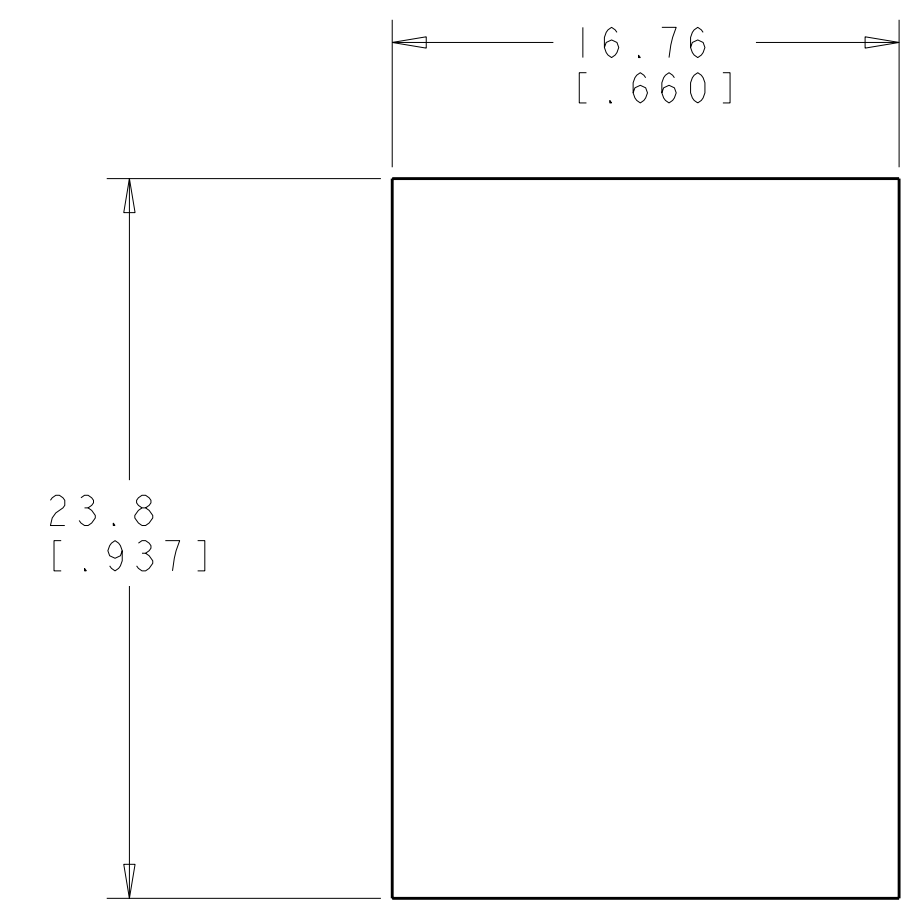
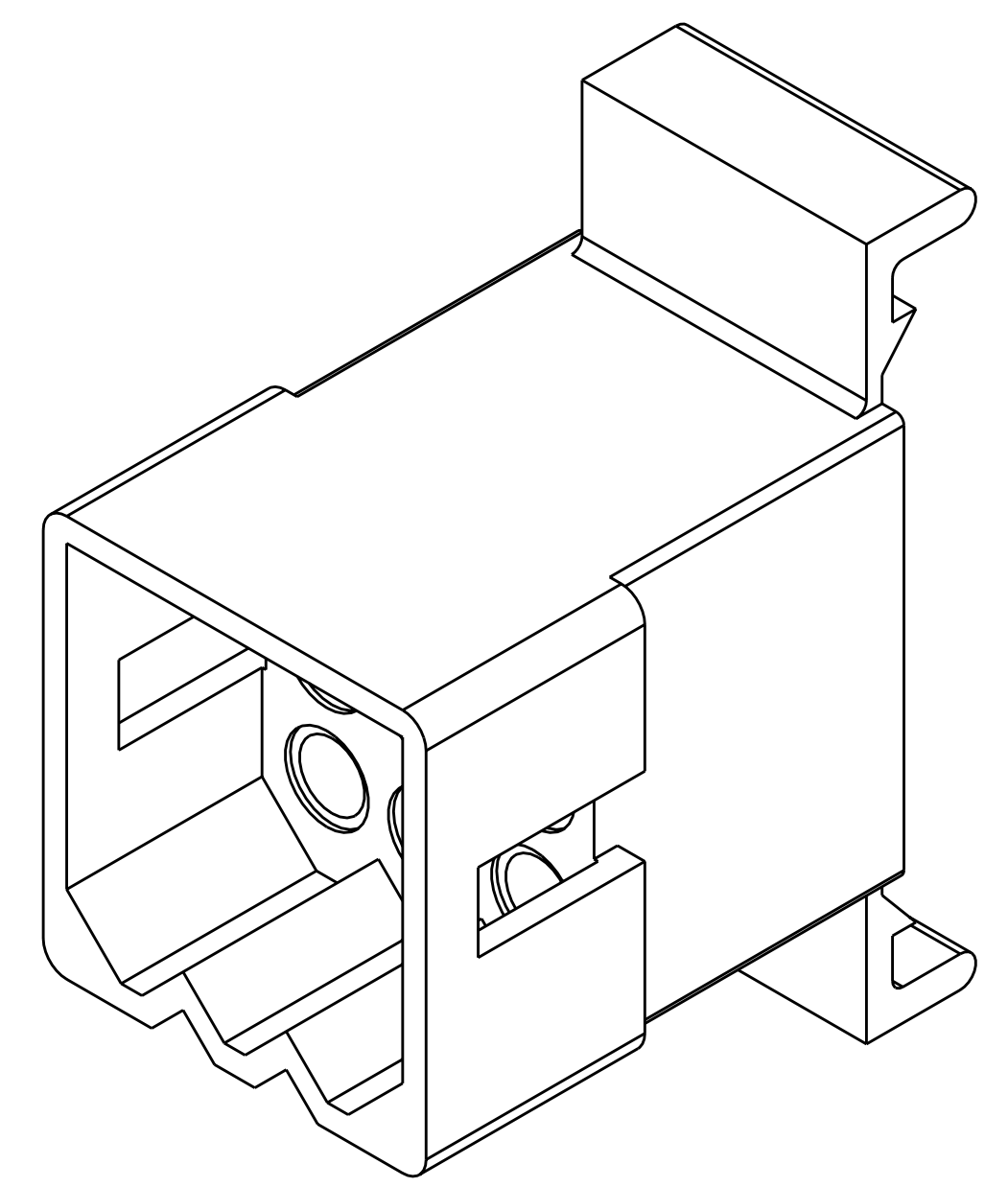


LOC	DIST	REV	DATE	DWN	APVD
CM	00	G	ECO-07-020239	28AUG2007	KW CC



- 1 MATERIAL: NYLON UL94V-2 (NATURAL).
- 2. RECOMMENDED PANEL THICKNESS 2.29 [.090].
- 3 UL LOGO LOCATED ON THIS SURFACE.
- 4 CSA LOGO LOCATED ON THIS SURFACE.



RECOMMENDED PANEL CUTOUT



0.261 IN ³	770095-1
VOLUME	PART NUMBER

<small>THIS DRAWING IS UNPUBLISHED. RELEASED FOR PUBLICATION BY TYCO ELECTRONICS CORPORATION. ALL RIGHTS RESERVED. THIS IS SUBJECT TO CHANGE WITHOUT NOTICE AND WITHOUT OBLIGATION. SHOULD BE CONTACTED FOR THE LATEST REVISION.</small>		DWN: R. WHITAKER 28AUG2007 CHK: C. CASH 28AUG2007 APVD: C. CASH 28AUG2007	Tyco Electronics Harrisburg, PA 17105-3608
DIMENSIONS: mm [INCHES]	TOLERANCES UNLESS OTHERWISE SPECIFIED: 9 PLC ± 8 PLC ± 5 PLC ±0.13(.005) 4 PLC ± ANGLES ± FINISH -	NAME: PLUG, 9 CIRCUIT, .093 COMMERCIAL PIN AND SOCKET PRODUCT SPEC: APPLICATION SPEC: WEIGHT: - CUSTOMER DRAWING	SIZE: A 00779 C=770095 SCALE: 4:1 SHEET: 1 OF 1 REV: G

单击下面可查看定价，库存，交付和生命周期等信息

[>>TE Connectivity\(泰科\)](#)