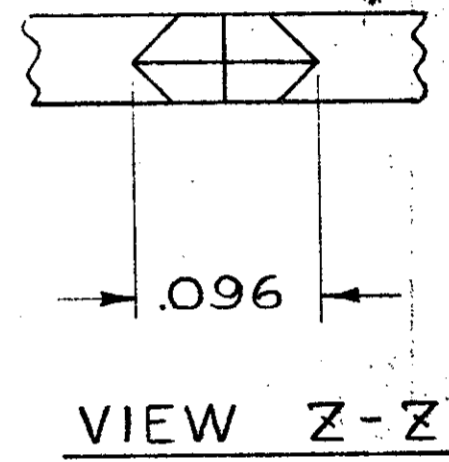
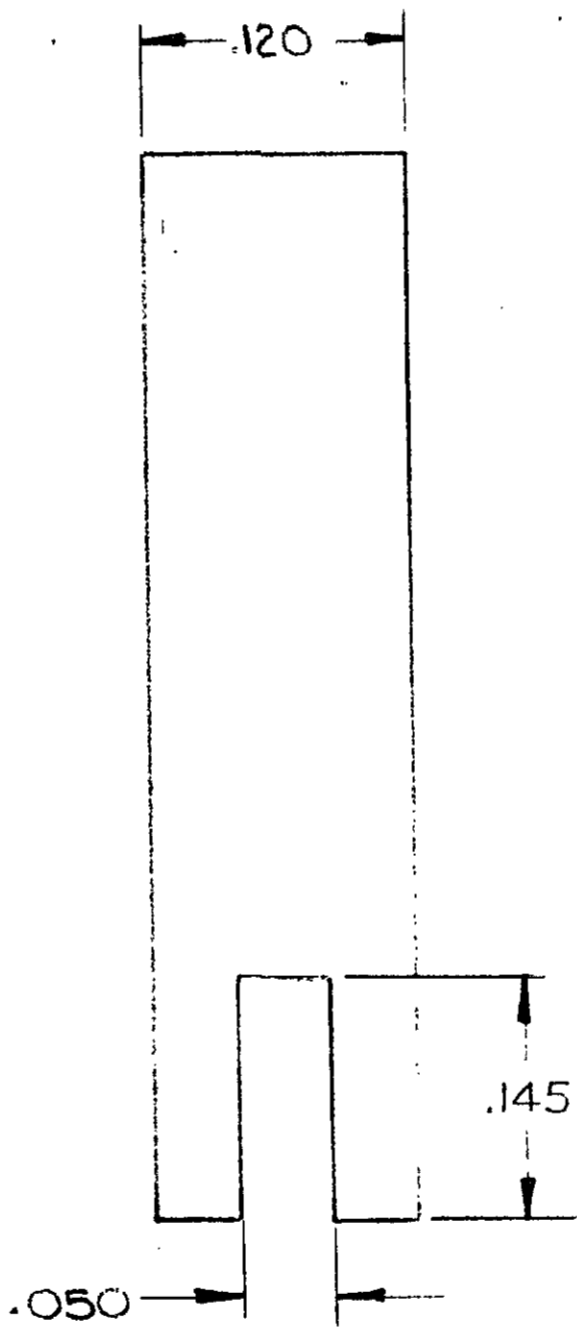
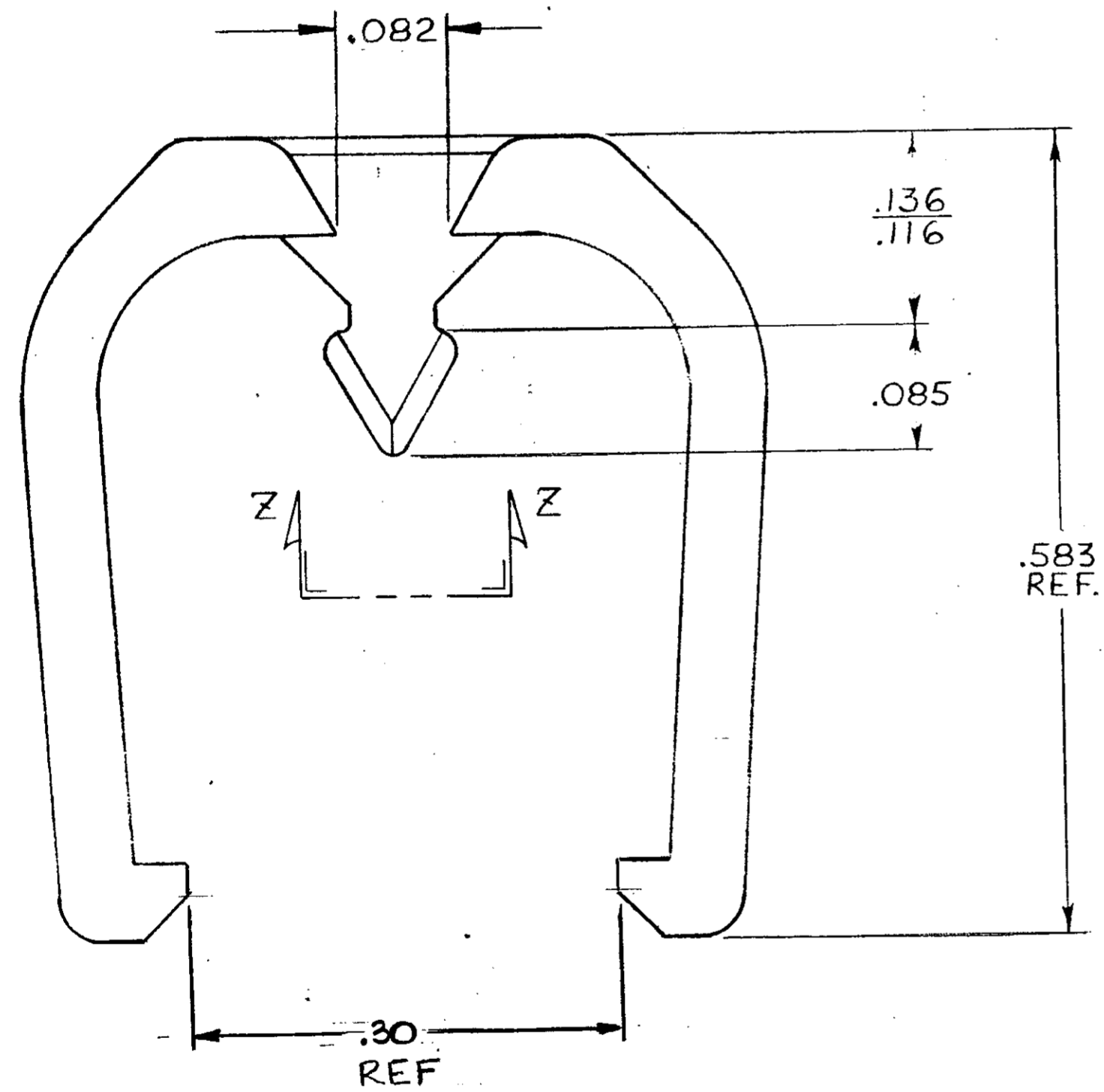
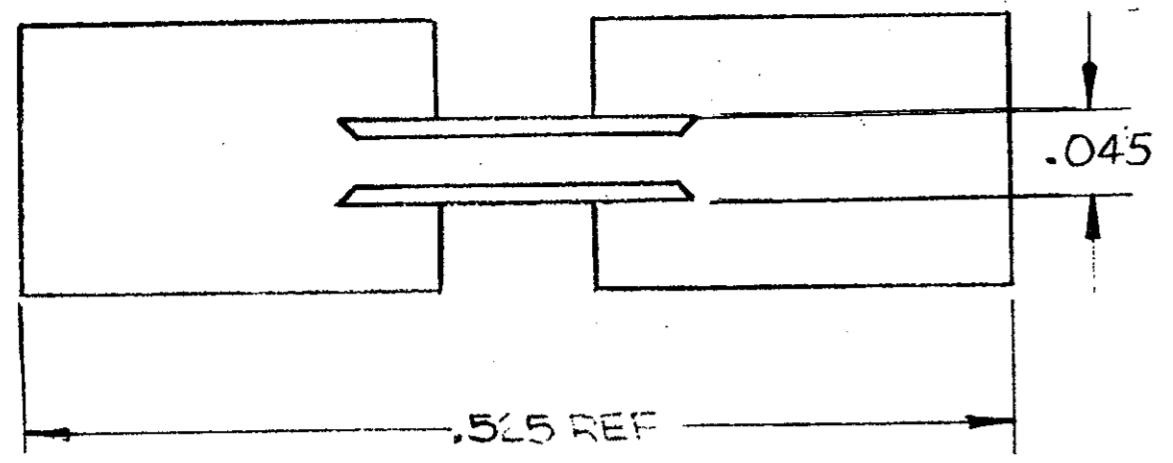


DRAWING MADE IN THIRD ANGLE PROJECTION

THIS DRAWING IS UNPUBLISHED. RELEASED FOR PUBLICATION .19  
 © COPYRIGHT 1983 BY AMP INCORPORATED, HARRISBURG, PA. ALL INTERNATIONAL RIGHTS RESERVED. AMP PRODUCTS MAY BE COVERED BY U.S. AND FOREIGN PATENTS AND/OR PATENTS PENDING.

650289-1 AS SHOWN

REVISIONS					
P/F	ZONE	LTR	DESCRIPTION	DATE	APPROVED
✓	0		REL-1 PER 89-5191-001	6/8/89	HWR
✓	A		REV PER EC 0320-209-97	7-7-97	NS



UNLESS OTHERWISE SPECIFIED DIMENSIONS ARE IN INCHES		CONTRACT NO		AMP   AMP INCORPORATED Harrisburg, Pa. 17105	
TOLERANCES ON: DECIMALS .010 ANGLES		DR <i>D. Wareham</i> 6/8/89 CHK <i>HWR</i> 6/89 APPD <i>Howard W. Rose</i> 6/89 APPD <i>Howard W. Rose</i> 6/89 DSGN APPD OTHER APPD		NAME KEYING FLUG, MOTHER BOARD TWIN LEAF, .150 Q AND .156 Q	
MATERIAL LCP : GLASS-FILLED COLOR: NATURAL		SIZE C	FSCM NO 00779	DRAWING NO 650289	
FINISH		SCALE		SHEET 1 OF 1	

CUSTOMER DRAWING

单击下面可查看定价，库存，交付和生命周期等信息

[>>TE Connectivity\(泰科\)](#)