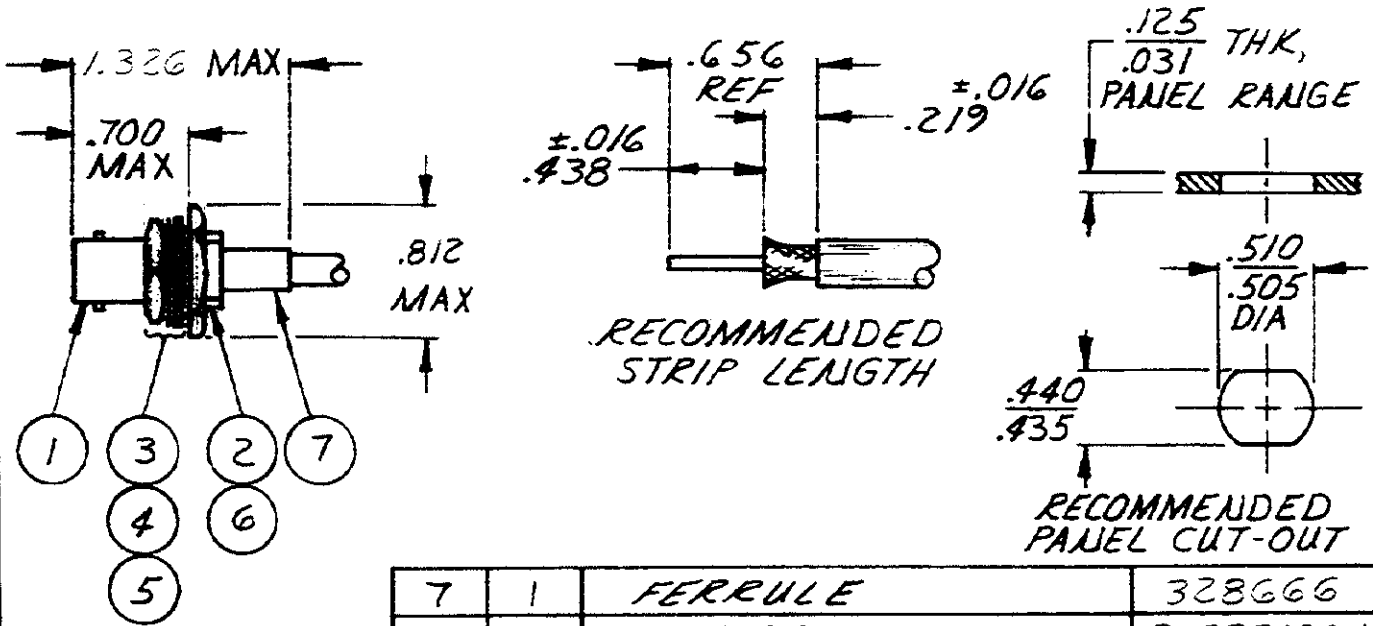


THIS DRAWING IS UNPUBLISHED. RELEASED FOR PUBLICATION MAY 3, 1983.

BY AMP INCORPORATED, HARRISBURG, PA. ALL INTERNATIONAL RIGHTS RESERVED. AMP PRODUCTS MAY BE COVERED BY U.S. AND FOREIGN PATENTS AND/OR PATENTS PENDING.

REVISIONS				
P/F	LTR	DESCRIPTION	DATE	APPROVED
✓	✓	REV-REDWAI	5-2-83	RS/RH

1. FOR USE WITH: RG-16/U, 179/U, 187/U CABLE.
2. CRIMPING TOOL: 69245-1.
3. SEE I.S. 1799-3.



ITEM	QTY	DESCRIPTION	PART NO
7	1	FERRULE	328666
6	1	GASKET	2-329106-1
5	1	LOCK WASHER	329632
4	1	JAM NUT	329631
3	1	GASKET	329633
2	1	CRIMP END ASSY	50793-5
1	1	JACK ASSY, BHD	329800

UNLESS OTHERWISE SPECIFIED DIMENSIONS ARE IN INCHES. TOLERANCES ON: DECIMALS ± .005 ANGLES ± .01

CONTRACT NO	
DR	<i>M. E. ...</i> 5-3-83
CHK	<i>S. S. Heide</i> 9/8/83
APPD	<i>M. ...</i> 12/1/83
APPD	<i>M. ...</i> 12/1/83
DSGN APPD	
OTHER APPD	

AMP | AMP INCORPORATED
Harrisburg, Pa. 17105

NAME **CONNECTOR, COAXIAL, RF, JACK, BHD, SERIES BNC**

SIZE	FSCM NO	DRAWING NO
A	00779	2-329458-1
SCALE	N.T.S.	SHEET

单击下面可查看定价，库存，交付和生命周期等信息

[>>TE Connectivity\(泰科\)](#)