

4

3

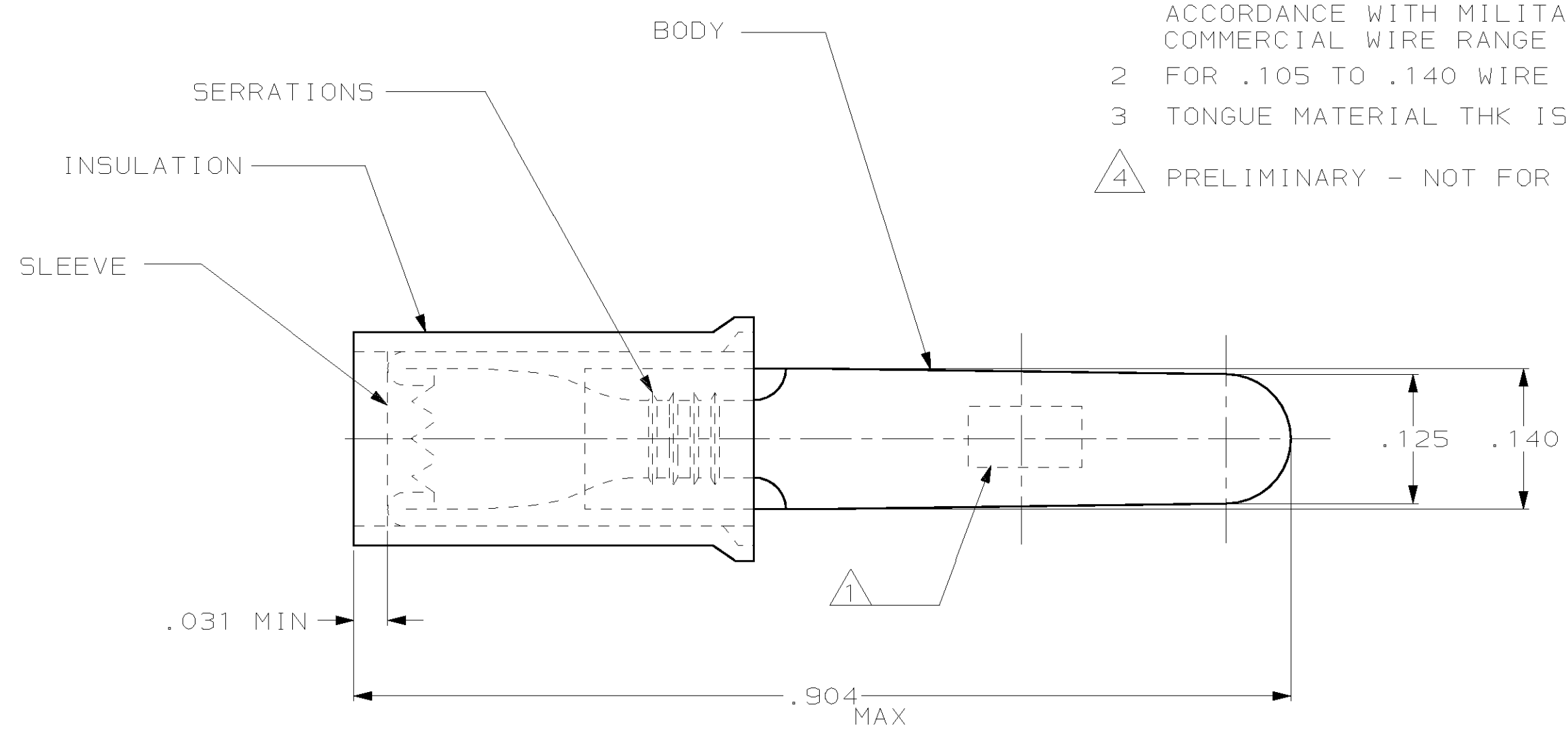
2

1

THIS DRAWING IS UNPUBLISHED. RELEASED FOR PUBLICATION, 19 .

© COPYRIGHT 19 BY AMP INCORPORATED. ALL RIGHTS RESERVED.

LOC	DIST	REVISIONS					
		P	LTR	DESCRIPTION	DATE	DWN	APVD
G	14		J	REDRAWN PER 0G3A-0249-01	03APR01	JR	TM



- 1 STAMPED AMP 22-18\*, APPROX AS SHOWN. 22-16 TERMINALS ARE STAMPED 22-18 IN ACCORDANCE WITH MILITARY SPEC MIL-T-7928 COMMERCIAL WIRE RANGE 22-16
- 2 FOR .105 TO .140 WIRE INSULATION DIA.
- 3 TONGUE MATERIAL THK IS .031±.002.
- 4 PRELIMINARY - NOT FOR PRODUCTION

100	LOOSE PIECE, BOX	8-34294-1	BODY: COPPER PER ASTM B152 TIN PLATE PER ASTM B545
5000	ON TAPE, REEL	2-34294-1	SLEEVE: COPPER PER ASTM B152 TIN PLATE PER ASTM B545
1000	LOOSE PIECE	34294	INSULATION: NYLON, COLOR - RED
QTY	PACKAGE TYPE	PART NO.	MATERIAL & FINISH
THIS DRAWING IS A CONTROLLED DOCUMENT.		DWN JR RUTH 03APR01	<b>AMP</b> AMP Incorporated Harrisburg, PA 17105-3608
		CHK MS FEHER 03APR01	
DIMENSIONS: INCHES		APVD T MICHIELUTTI 03APR01	NAME WIRE TERMINAL, PIDG, RECTANGULAR TAB, WIRE SIZE: 22-16
TOLERANCES UNLESS OTHERWISE SPECIFIED:		PRODUCT SPEC	SIZE
0 PLC ±-		APPLICATION SPEC	CAGE CODE
1 PLC ±-			DRAWING NO
2 PLC ±-			RESTRICTED TO
3 PLC ±.008			
4 PLC ±-			
ANGLES ±5°		WEIGHT	
MATERIAL	FINISH		A300779 C- 34294
CUSTOMER DRAWING			SCALE 8:1 SHEET 1 OF 1 REV J

单击下面可查看定价，库存，交付和生命周期等信息

[>>TE Connectivity\(泰科\)](#)