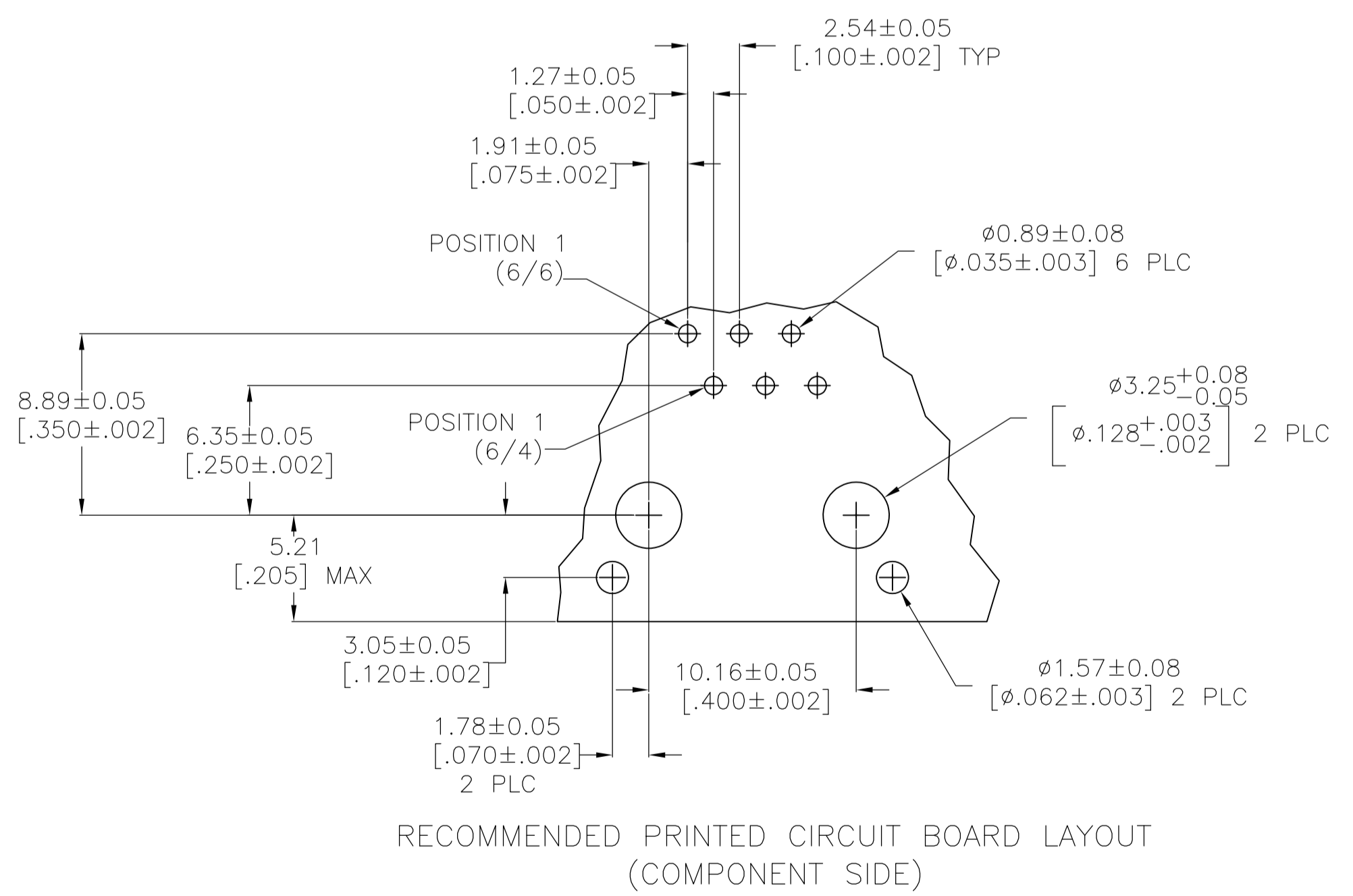
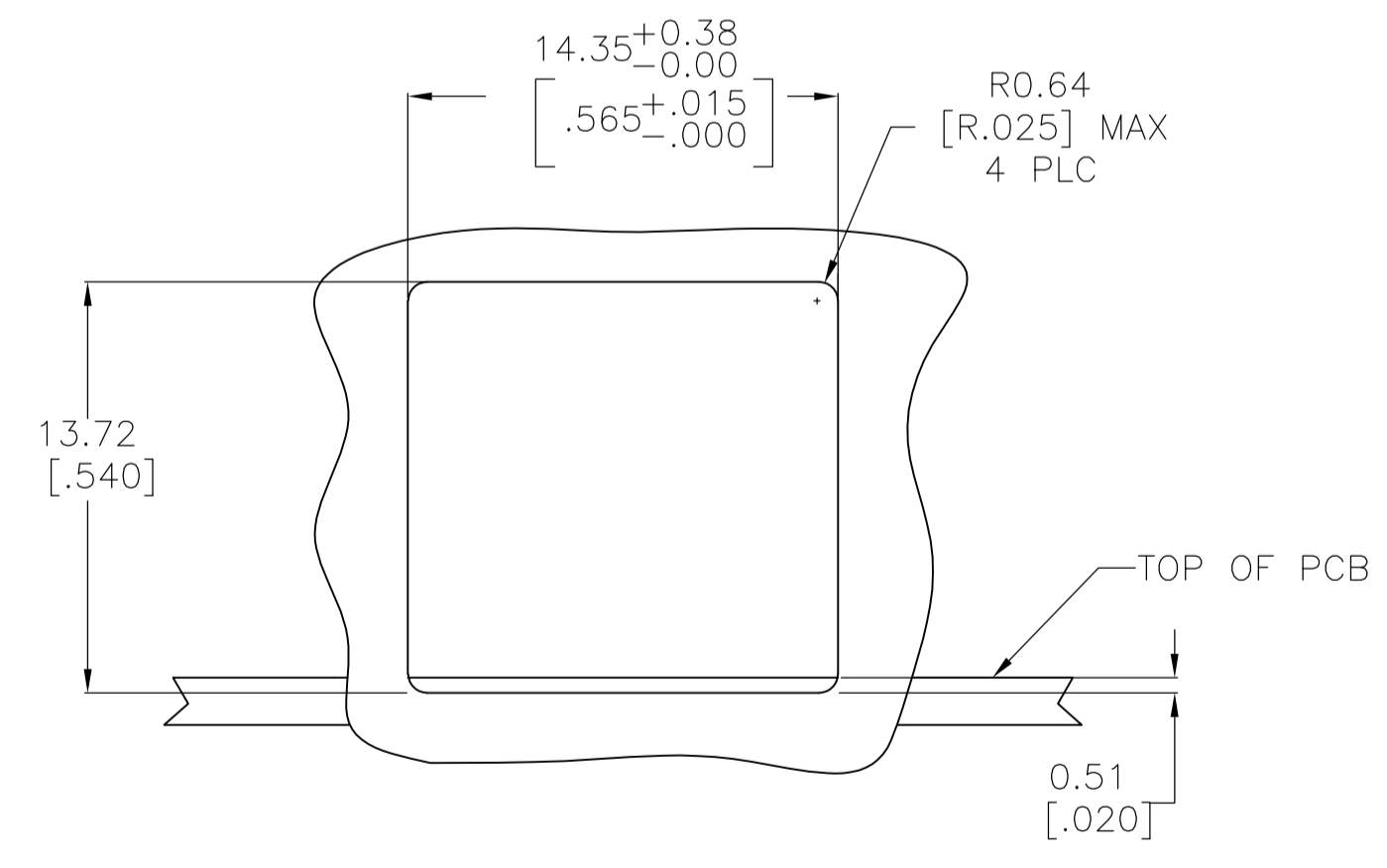


- MATERIAL: HOUSING – PBT POLYESTER, COLOR: BLACK.  
 TERMINAL – 0.36[.014] THICK PHOS-BRONZE PLATED WITH 1.27µm[.000050] MINIMUM THICK HARD GOLD IN LOCALIZED GOLD PLATE AREA AND 3.81µm[.000150] THICK MATTE TIN IN SOLDER AREA OVER 1.27µm [0.000050] MINIMUM THICK NICKEL UNDERPLATE.  
 SHIELD – 0.25[.010] THICK COPPER ALLOY PLATED WITH 3.0µm[.000120] MINIMUM REFLOWED TIN
- CAVITY CONFORMS TO FCC RULES AND REGULATIONS PART 68, SUBPART F.
- DIMENSIONS MEASURED ALONG FRONT EDGES OF MATING FACE
- TERMINALS FOR 5555140-2 LOCATED IN CENTER POSITIONS.



RECOMMENDED PRINTED CIRCUIT BOARD LAYOUT (COMPONENT SIDE)



RECOMMENDED PANEL CUTOUT

TUBE	3.81±0.51 [.150±.020]	6	5555140-6
TRAY	2.54±0.25 [.100±.010]	6	5555140-4
	3.81±0.51 [.150±.020]	4	5555140-2
	3.81±0.51 [.150±.020]	6	5555140-1
PACKAGING	DIMENSION Z		TERMINALS REQUIRED
			PART NUMBER

THIS DRAWING IS A CONTROLLED DOCUMENT.		DIN L.A.MAYER 08NOV2007		TE Connectivity	
DIMENSIONS: mm [INCHES]		TOLERANCES UNLESS OTHERWISE SPECIFIED:			
0 PLC ± - 1 PLC ± - 2 PLC ± 0.13[.005] 3 PLC ± - 4 PLC ± - ANGLES ± -		CDR P.RECCCE 08NOV07 APVD S.FLICKINGER 08NOV07 PRODUCT SPEC 108-1163 APPLICATION SPEC 114-2048		NAME MODULAR JACK ASSEMBLY, SHIELDED, 6POSITION, LOW PROFILE, RIGHT ANGLE, PANEL GROUND WITH PANEL STOPS SIZE CAGE CODE DRAWING NO RESTRICTED TO A1 00779 5555140	
MATERIAL SEE NOTE 1		FINISH SEE NOTE 1		WEIGHT -	
		CUSTOMER DRAWING		SCALE 4:1 SHEET 1 OF 1 REV E1	

单击下面可查看定价，库存，交付和生命周期等信息

[>>TE Connectivity\(泰科\)](#)