

THIS DRAWING IS UNPUBLISHED. RELEASED FOR PUBLICATION 20  
 © COPYRIGHT 20 BY TYCO ELECTRONICS CORPORATION. ALL RIGHTS RESERVED.

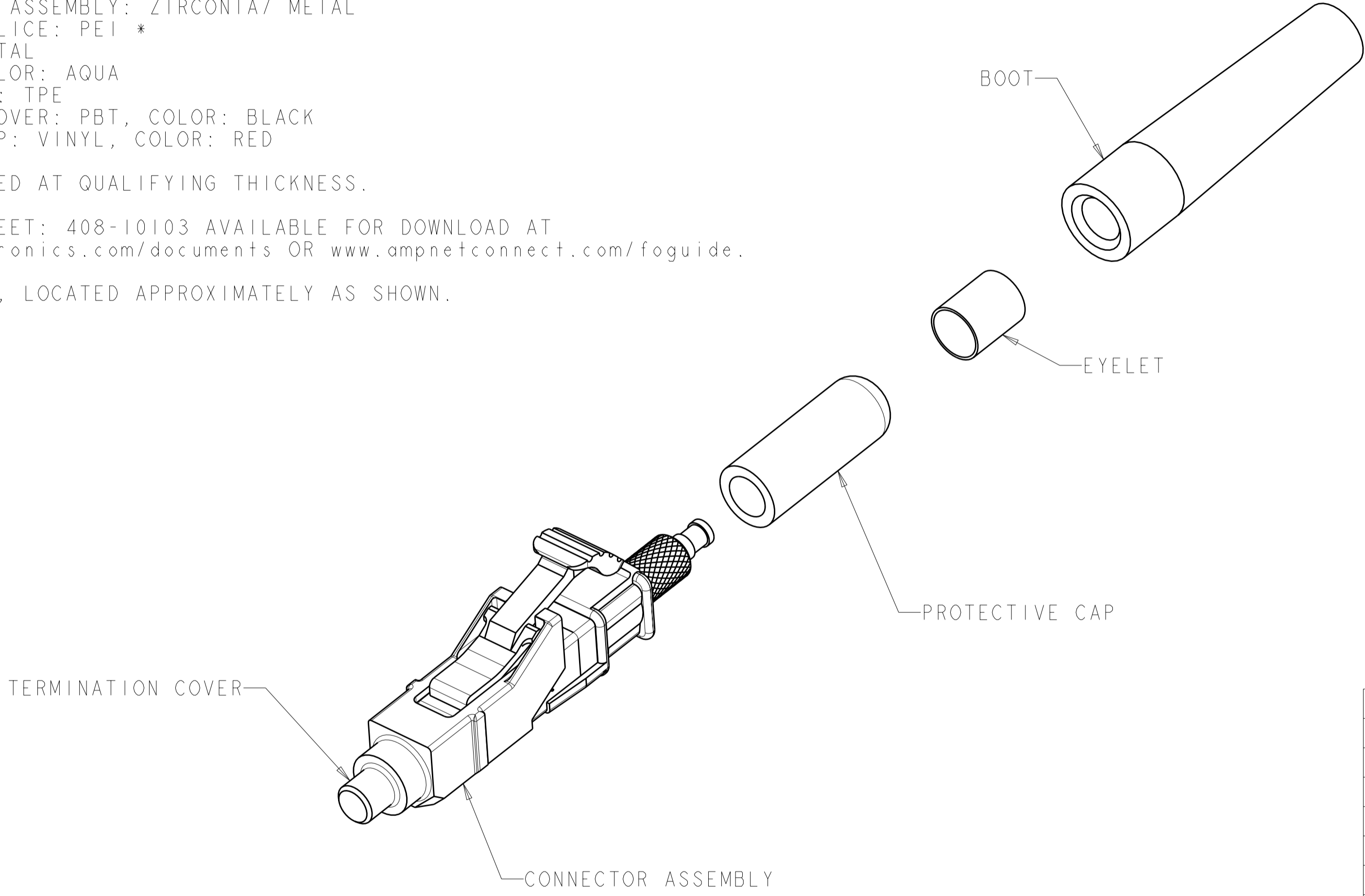
LOC	DIST	REVISIONS			
P	LTR	DESCRIPTION	DATE	DWN	APVD
CE	00				
	C	ECR-08-031868	30DEC2008	KG	SB
	CI	REVISE NOTE 2	16MAR2009	BB	SB

- 1 MATERIAL:  
 CONNECTOR ASSEMBLY:  
 CONNECTOR HOUSING: PPSU, COLOR: SEE -NO'S.\*  
 REAR BODY: METAL  
 COMPRESSION SPRING: METAL  
 FERRULE SUB ASSEMBLY: ZIRCONIA/ METAL  
 INTERNAL SPLICE: PEI \*  
 PLUNGER: METAL  
 BOOT: TPE, COLOR: AQUA  
 BUILD-UP TUBE: TPE  
 TERMINATION COVER: PBT, COLOR: BLACK  
 PROTECTIVE CAP: VINYL, COLOR: RED

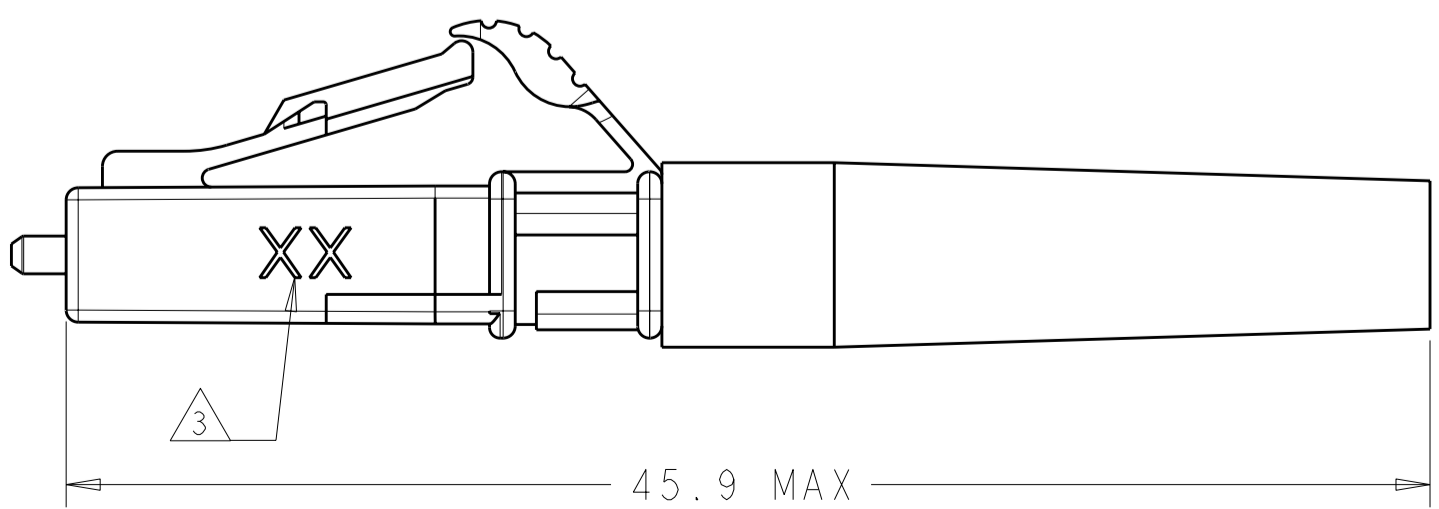
\*UL94 V-0 RATED AT QUALIFYING THICKNESS.

2. INSTRUCTION SHEET: 408-10103 AVAILABLE FOR DOWNLOAD AT  
[www.tycoelectronics.com/documents](http://www.tycoelectronics.com/documents) OR [www.ampnetconnect.com/foguide](http://www.ampnetconnect.com/foguide).

3 MARK WITH "50", LOCATED APPROXIMATELY AS SHOWN.



SLATE	1-1828858-0
ORANGE	1828858-9
VIOLET	1828858-8
BROWN	1828858-7
AQUA	1828858-6
ROSE	1828858-5
BLUE	1828858-4
GREEN	1828858-3
YELLOW	1828858-2
RED	1828858-1
KEYED HOUSING COLOR	PART NO.



THIS DRAWING IS A CONTROLLED DOCUMENT FOR TYCO ELECTRONICS CORPORATION. IT IS SUBJECT TO CHANGE AND THE CONTROLLING ENGINEERING ORGANIZATION SHOULD BE CONTACTED FOR THE LATEST REVISION.

DWN	E MCCORMICK	15MAR2007	Tyco Electronics Harrisburg, PA 17105-3608	
CHK	D ERDMAN	15MAR2007		
APVD	D BAECHTLE	15MAR2007		
PRODUCT SPEC				
APPLICATION SPEC			NAME	KIT, CONNECTOR, LightCrimp Plus LC SECURE, SIMPLEX, MM50XG, 1.6-2.0mm JACKET
WEIGHT			SIZE	A2
CUSTOMER DRAWING			CAGE CODE	00779
			DRAWING NO	1828858
			RESTRICTED TO	
			SCALE	4:1
			SHEET	1 OF 1
			REV	CI

单击下面可查看定价，库存，交付和生命周期等信息

[>>TE Connectivity\(泰科\)](#)