

THIS DRAWING IS UNPUBLISHED.

RELEASED FOR PUBLICATION

ALL RIGHTS RESERVED.

© COPYRIGHT - TE Connectivity Ltd.

REVISIONS

P	LTR	DESCRIPTION	DATE	DWN	APVD
	B1	REVISED PER ECR-19-002924	14MAR2019	R.Z	S.L

2129691-2 AS SHOWN

NOTES:

△MATERIAL:

- ① SHELL: STAINLESS STEEL
- ② SHELL BRACKET: STAINLESS STEEL
- ③ HOUSING: HIGH TEMPERATURE THERMO PLASTIC ,BLACK, UL94V-0
- ④ UPPER CONTACT: COPPER ALLOY
- ⑤ LOWER CONTACT: COPPER ALLOY
- ⑥ MID-PLATE: STAINLESS STEEL

△FINISH:

CONTACT: ALL OVER NI PLATING(2.0UM)
 CONTACT AREA AU PLATING(0.75UM)
 SOLDER AREA TIN PLATING(2.0UM)
 SHELL: ALL OVER NI PLATING(1.3UM),
 BRACKET: ALL OVER NI PLATING(1.3UM),
 MID-PLATE: ALL OVER NI PLATING(1.3UM).

△TE LOGO

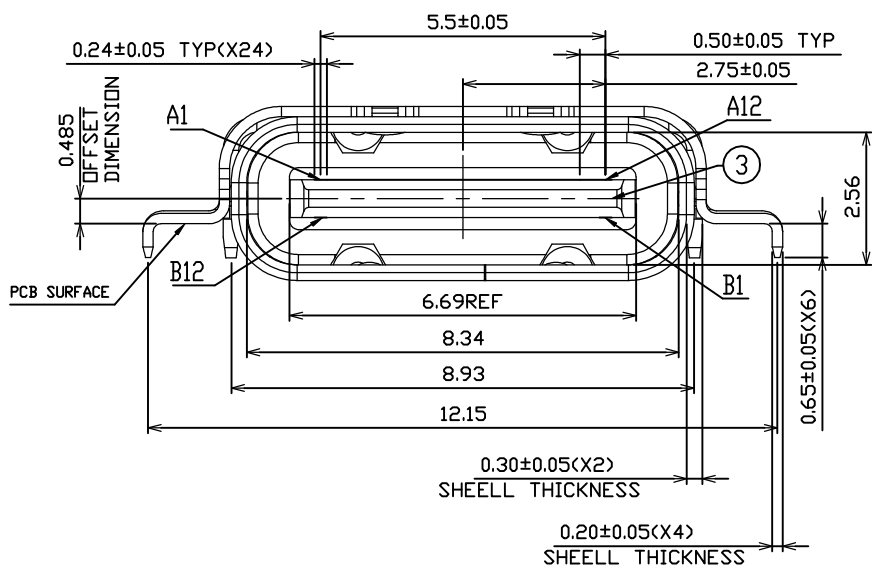
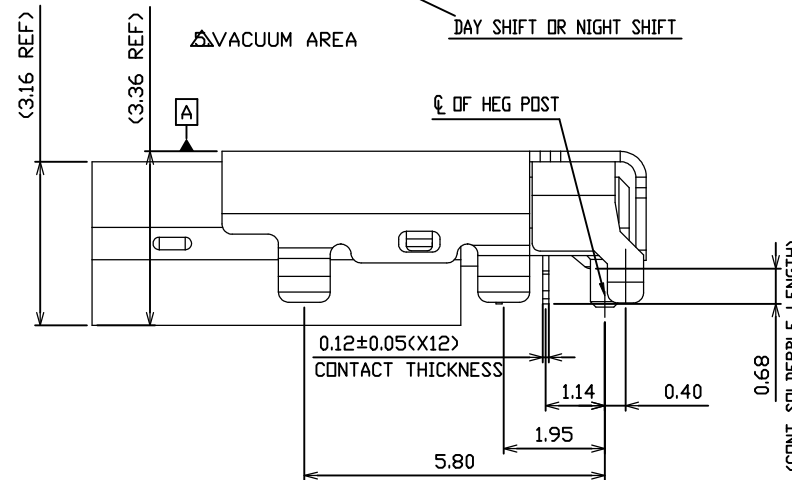
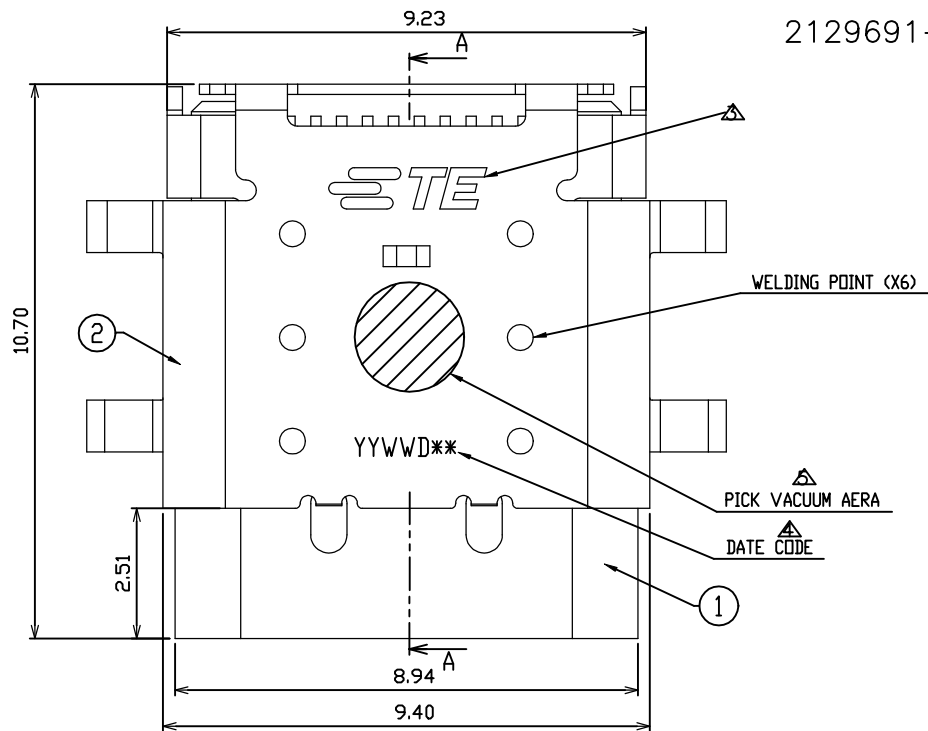
△DATE CODE

:YYWWD***

ASSY LINE NO.A,B,C,***

△VACUUM AREA

DAY SHIFT OR NIGHT SHIFT



PIN NO.	A1	A2	A3	A4	A5	A6	A7	A8	A9	A10	A11	A12
SIGNAL NAME	GND	SSTxp1	SSTxm1	VBUS	CC1	Dp1	Dn1	SBU1	VBUS	SSRx2	SSRp2	GND
PIN NO.	B12	B11	B10	B9	B8	B7	B6	B5	B4	B3	B2	B1
SIGNAL NAME	GND	SSRx1	SSRx1	VBUS	SBU2	Dn2	Dp2	CC2	VBUS	SSTxm2	SSTxp2	GND

2129691-2

PART NUMBER

THIS DRAWING IS A CONTROLLED DOCUMENT.

DWN T.ZHU 26APR2018
 CHK S.LI 26APR2018
 APVD S.LI 26APR2018

NAME: TYPE-C RECTANGLE ASSEMBLY OFFSET 0.485MM HYBRID TYPE

PRODUCT SPEC: 108-99061

APPLICATION SPEC: -

WEIGHT: -

CUSTOMER DRAWING

SIZE: A3 CAGE CODE: C=2129691 DRAWING NO: - RESTRICTED TO: -

SCALE: - SHEET: 1 OF 4 REV: B1

4 3 2 1

THIS DRAWING IS UNPUBLISHED. RELEASED FOR PUBLICATION
 © COPYRIGHT - TE Connectivity Ltd. ALL RIGHTS RESERVED.

REVISIONS				
P	LTR	DESCRIPTION	DATE	APVD
-	-	SEE SHEET 1	-	-

TYP(X2) 1.30±0.05
 TYP(X10) 0.80±0.05
 TYP(X10) 0.18±0.05 (SOLDERABLE WIDTH)
 TYP(X2) 1.70±0.05
 0.85±0.05 TYP(X2)
 0.4±0.05 TYP(X2)
 1.00±0.05 TYP(X4)
 0.47±0.05(X2)
 5.80
 2.04 TYP(X6)
 1.14 TYP(X6)
 ∅0.55±0.03
 0.50±0.05 TYP
 2.75±0.05
 3.25±0.05
 5.50±0.05
 6.90±0.05
 0.20±0.05 TYP(X12) (SOLDERABLE WIDTH)
 1.95 TYP(X2)
 0.70±0.05 TYP(X2)
 ∅ OF 6.9

1.20±0.05
 0.70±0.05
 0.10±0.05 (MID-PLATE THICKNESS)
 2.255
 0.75±0.10
 0.68±0.10
 SECTION A-A
 PCB SURFACE

(GROUND PINS) SOLDERABLE WIDTH

Coplanarity 0.08 Max(B.R)
 Coplanarity 0.10 Max(A.R)

2129691-2
 PART NUMBER

THIS DRAWING IS A CONTROLLED DOCUMENT.		DWN T.ZHU 26APR2018	TE Connectivity TYPE-C RECPTACLAE ASSEMBLY OFFSET 0.485MM HYBRID TYPE	
DIMENSIONS: mm		CHK S.LI 26APR2018		
TOLERANCES UNLESS OTHERWISE SPECIFIED:		APVD S.LI 26APR2018	NAME 108-99061	
0 PLC ± - 1 PLC ± 0.25 2 PLC ± 0.15 3 PLC ± 0.10 4 PLC ± - ANGLES ± 3°		PRODUCT SPEC 108-99061		SIZE A3
MATERIAL SEE NOTE		APPLICATION SPEC -		CAGE CODE C=2129691
FINISH SEE NOTE		WEIGHT -		DRAWING NO C=2129691
		CUSTOMER DRAWING		RESTRICTED TO -
		SCALE -		SHEET 2 OF 4
				REV B1

1470-19 (1/15)

Downloaded From Oneyac.com

4

3

2

1

THIS DRAWING IS UNPUBLISHED.

RELEASED FOR PUBLICATION

ALL RIGHTS RESERVED.

© COPYRIGHT - TE Connectivity Ltd.

REVISIONS

P	LTR	DESCRIPTION	DATE	DWN	APVD
-	-	SEE SHEET 1	-	-	-

NOTES:

1.P/N:P-ZA-172309

2.USED ON USB TYPE C RECEP.CONNECTOR PRODUCTS.

3.PACKAGE:1000PCS/REEL,10REELS/BOX

4.MATERIAL:TRANSPARENT CONDUCTIVE POLYSTYRENE ALLOY

5.APPLICABLE DOCUMENTS:IEA-481-D

6.AFTER UNREELING DIRECTION MUST HAVE 11PCS BLANK.(170mm Min)

7.BEFORE UNREELING DIRECTION MUST HAVE 25PCS BLANK.(400mm Min)

SECTION A-A

SECTION B-B

USE FEED DIRECTION

170.00 MM

400.00 MM

PACKAGING PROCESS

348

348

340

∅ 330(13°)

REEL

2129691-2

PART NUMBER

THIS DRAWING IS A CONTROLLED DOCUMENT.

DWN T.ZHU 26APR2018

CHK S.LI 26APR2018

APVD S.LI 26APR2018

PRODUCT SPEC

108-99061

APPLICATION SPEC

-

WEIGHT -

CUSTOMER DRAWING

DIMENSIONS:

mm

TOLERANCES UNLESS

OTHERWISE SPECIFIED:

0 PLC	± -
1 PLC	± 0.3
2 PLC	± 0.2
3 PLC	± 0.15
4 PLC	± -
ANGLES	± 3°

MATERIAL

SEE NOTE

FINISH

SEE NOTE

TE Connectivity

NAME

TYPE-C RECPTACLAE ASSEMBLY
OFFSET 0.485MM HYBRID TYPE

SIZE

A3

CAGE CODE

-

DRAWING NO

C=2129691

RESTRICTED TO

-

SCALE -

SHEET

4 OF 4

REV

B1

1470-19 (1/15)

Downloaded From Oneyac.com

单击下面可查看定价，库存，交付和生命周期等信息

[>>TE Connectivity\(泰科\)](#)