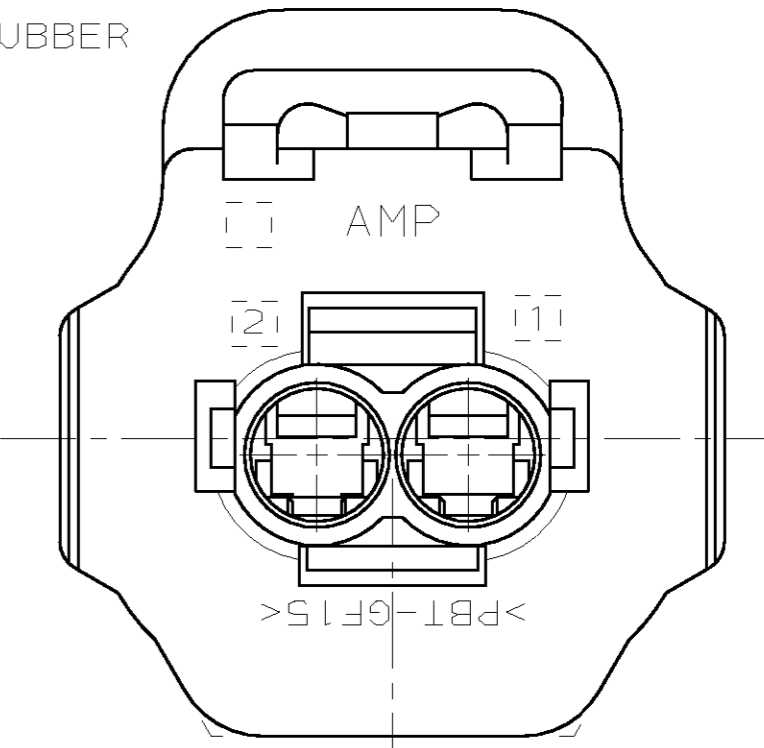
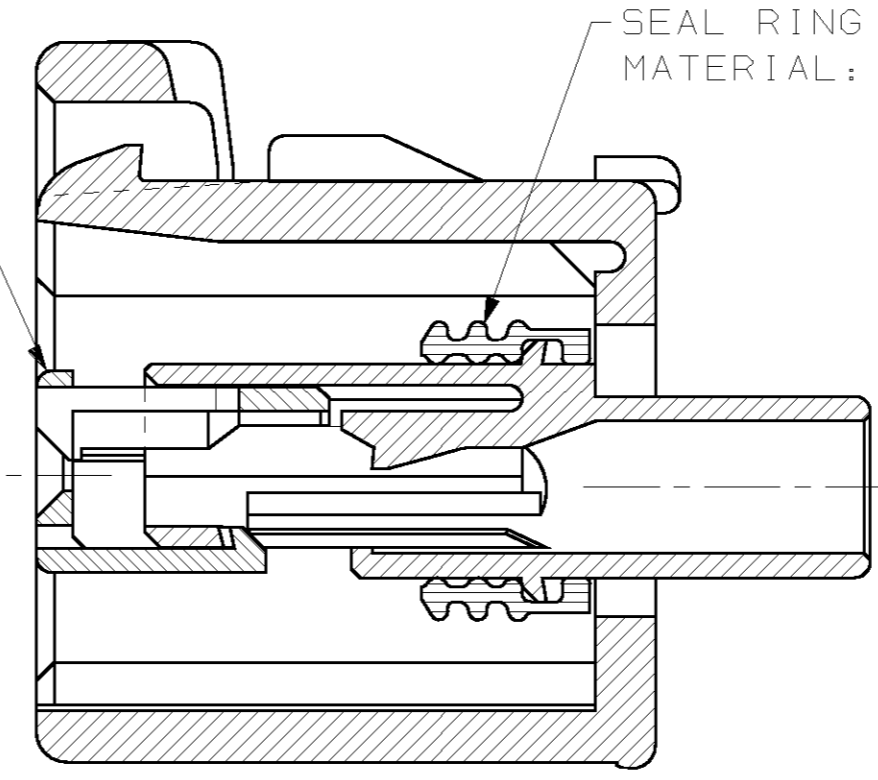
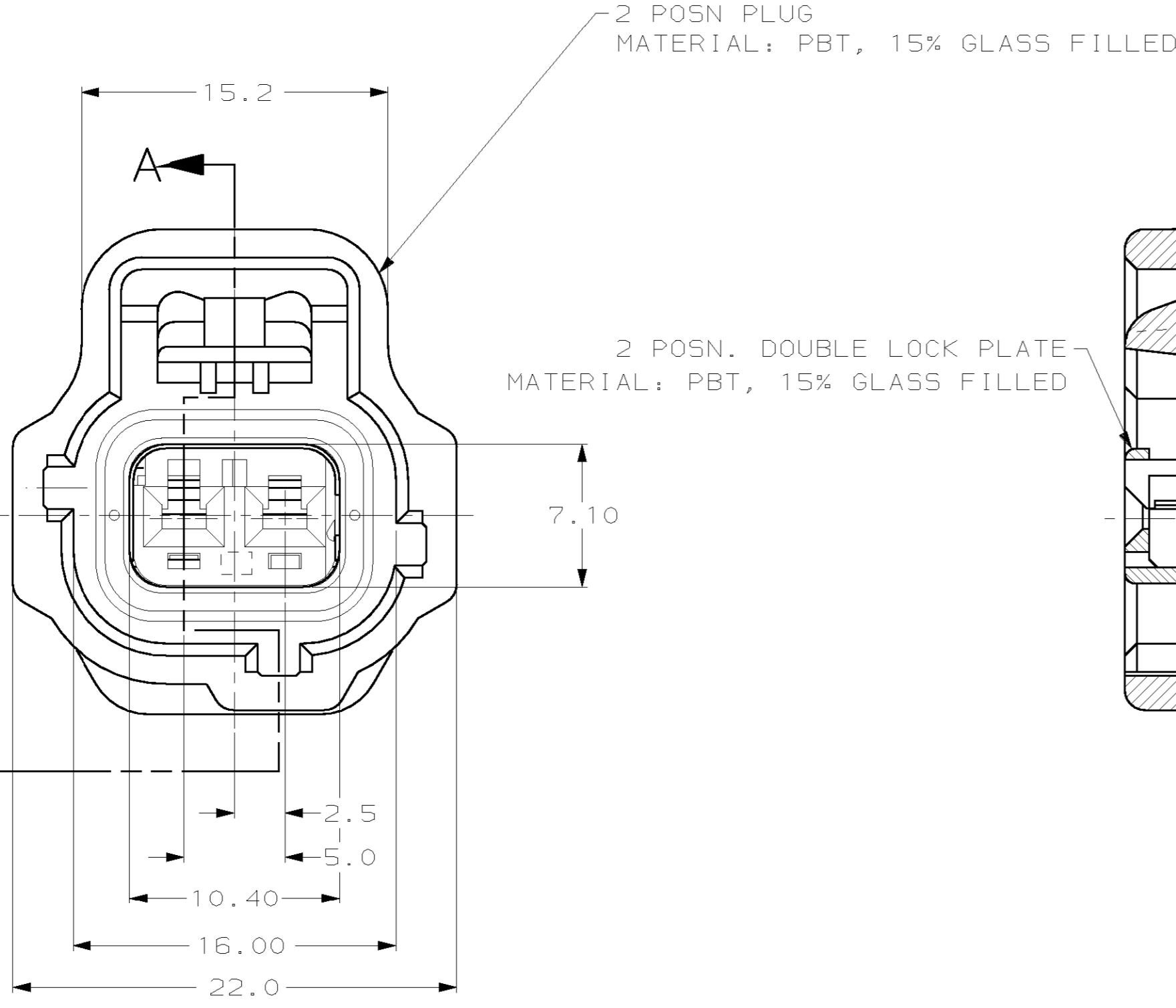
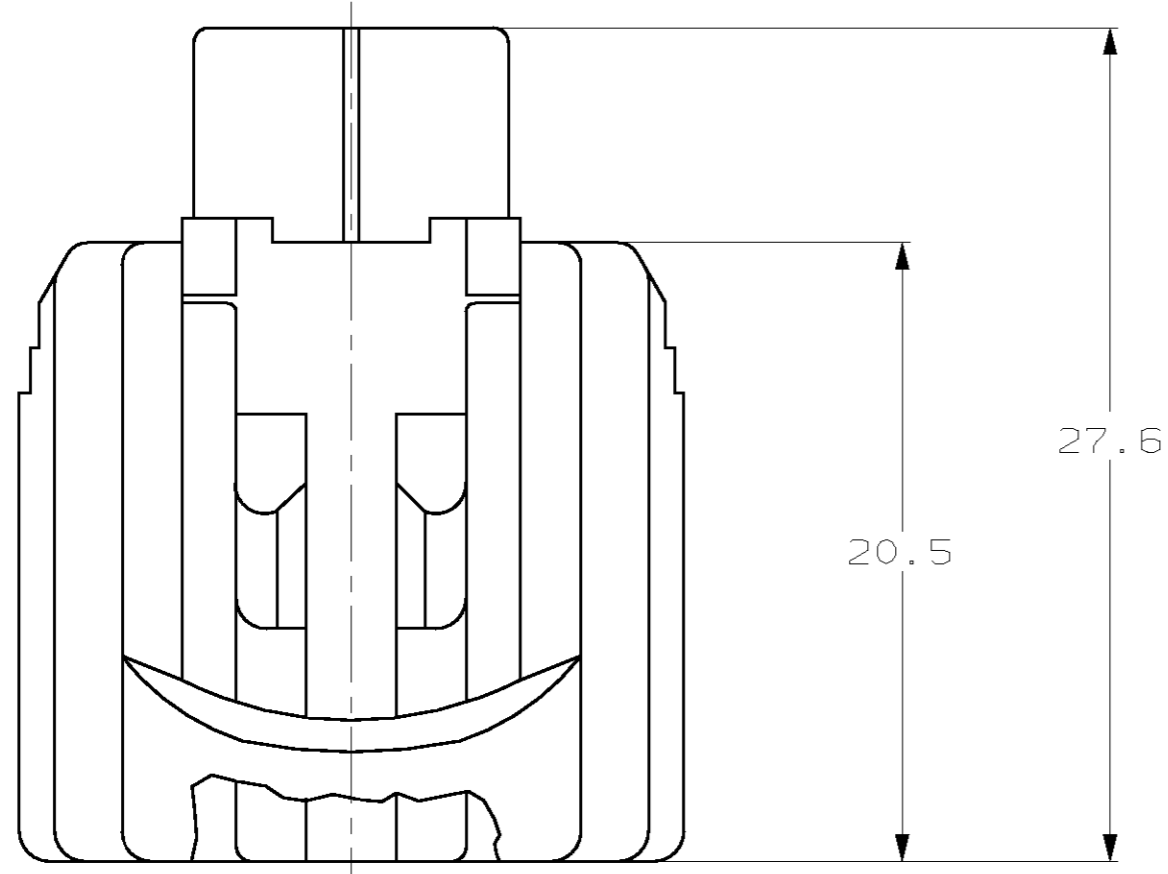


THIS DRAWING IS UNPUBLISHED. RELEASED FOR PUBLICATION .19  
 © COPYRIGHT 19 BY AMP INCORPORATED. ALL RIGHTS RESERVED.

LOC		DIST		REVISIONS		
P	LTR	DESCRIPTION	DATE	DWN	APVD	
G	16	0	RELEASED, WAS 92-4072-2313-5	-	-	
		A	REV PER ECN 0720-0290-94	10/13/94	KDL JPK	
		B	REV PER ECN 0720-0446-94	12/16/94	KW JK	
		C	REV PER ECN 0K50-0003-96	08/13/96	KW JK	
		D	REV PER ECN 0K20-0025-97	29JUL97	KW JK	
		E	REV PER EC# 0K40-0140-00	6-28-00	PC GI	



SECTION A-A

KEYING TYPE E

<small>THIS DRAWING IS A CONTROLLED DOCUMENT FOR AMP INCORPORATED. IT IS SUBJECT TO CHANGE AND THE CONTROLLING ENGINEERING ORGANIZATION SHOULD BE CONTACTED FOR THE LATEST REVISION.</small>		DWN	KD LYTLE	3/28/94
<small>TOLERANCES UNLESS OTHERWISE SPECIFIED:</small>		CHK	JP KUNKLE	4/19/94
<small>DIMENSIONS:</small> mm		APVD	-	-
		PRODUCT SPEC	-	-
0 PLC ±- 1 PLC ±0.30 2 PLC ±0.15 3 PLC ±- 4 PLC ±- ANGLES ±- FINISH ±1*		APPLICATION SPEC	-	-
MATERIAL -		WEIGHT	-	-
		CUSTOMER DRAWING		

GRAY	184008-2
BLACK	184008-1
PLUG COLOR	PART NO
<b>AMP</b> AMP Incorporated Harrisburg, PA 17105-3608	
1 X 2 PLG ASY KEY E-C3	
SIZE	CAGE CODE
A2	00779
DRAWING NO	C-184008
SCALE	SHEET
4:1	1 OF 1
REV	E

单击下面可查看定价，库存，交付和生命周期等信息

[>>TE Connectivity\(泰科\)](#)