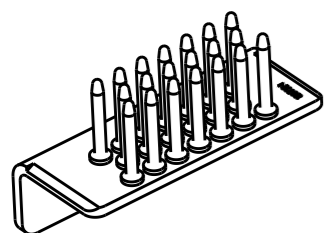
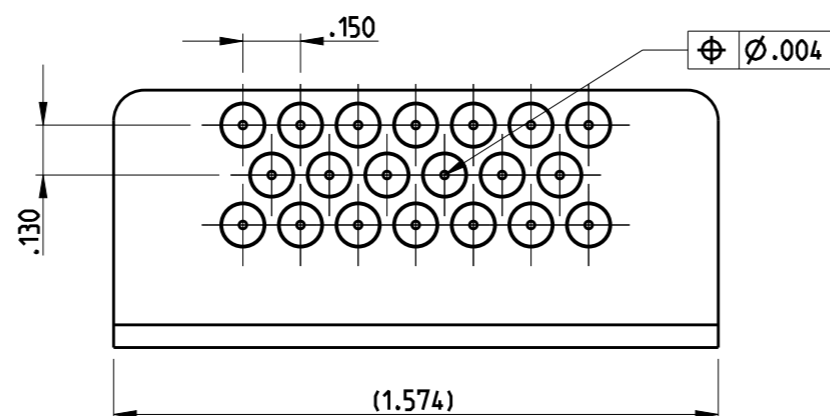
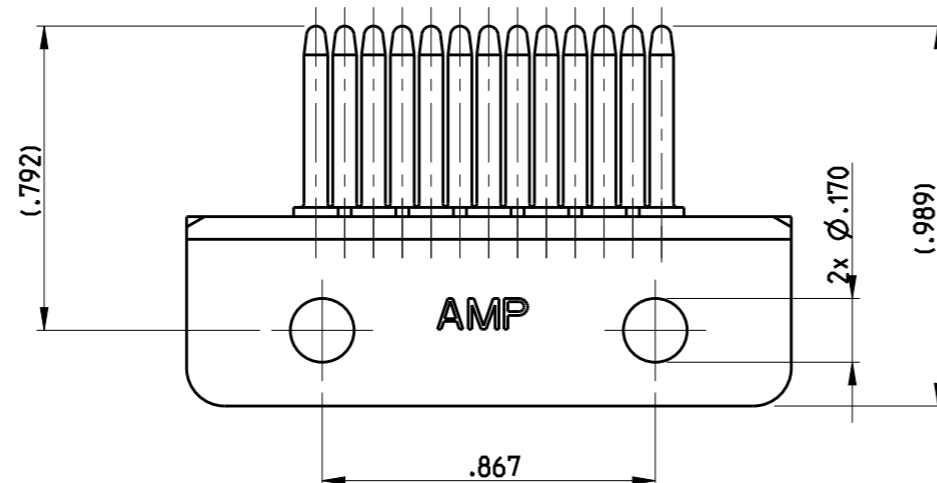
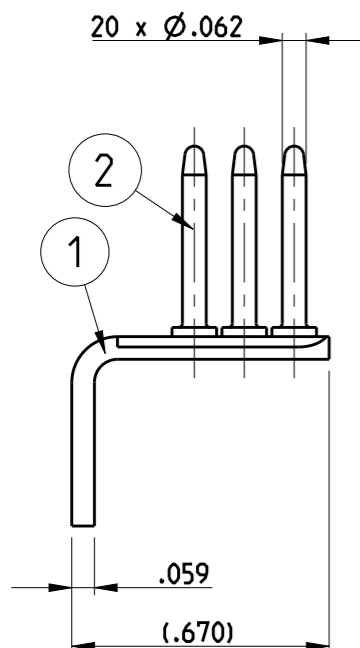
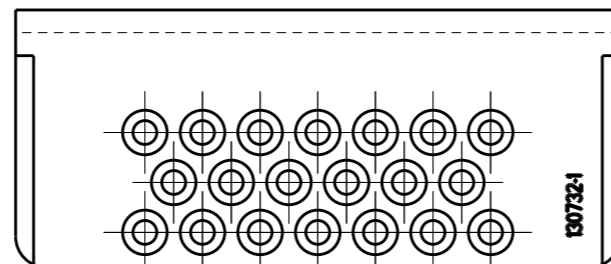


THIS DRAWING IS UNPUBLISHED. RELEASED FOR PUBLICATION
 © COPYRIGHT 19 BY - ALL RIGHTS RESERVED.

LOC	DIST	REVISIONS				
P	LTR	DESCRIPTION	DATE	DWN	APVD	
-	-	A	DRAWING RELEASE	31/7/07	NH	YP
		B	MODIF TIN BRACKET PLATING- CLARIFICATION	18JUN2013	JT	YP
		C	ADDED NOTE 1	22MAR2019	LN	YP



SCALE 1:1



- 1. MATES TO 131435-3. 130733-2. 130733-4.
- 2 .000030 MIN AU OVER NICKEL.
- 3 .00016 MIN Sn. OVER Cu UNDERLAYER

FINISH	MATERIAL	QTY	PART DESCRIPTION	ITEM
2	BRASS	20	PIN	2
3	BRASS	1	BRACKET	1

130732-1
PART NUMBER

THIS DRAWING IS A CONTROLLED DOCUMENT.		DWN 31JULY2007 Niranjan Hegde		TE Connectivity	
DIMENSIONS: Inches		CHK 31JULY2007 Petronin Yves			
TOLERANCES UNLESS OTHERWISE SPECIFIED:		APVD 31JULY2007 Petronin Yves		NAME BRACKET GROUNDING 20 PIN	
0 PLC ±.1		PRODUCT SPEC -		SIZE A3	
1 PLC ±.02		APPLICATION SPEC -		CAGE CODE -	
2 PLC ±.005		WEIGHT 18 g		DRAWING NO C-130732	
3 PLC ±		Customer Drawing		RESTRICTED TO -	
4 PLC ±1°		SCALE 2:1		SHEET 1 OF 1	
ANGLES ±1°		REV C			
FINISH TABLE					

单击下面可查看定价，库存，交付和生命周期等信息

[>>TE Connectivity\(泰科\)](#)