

4

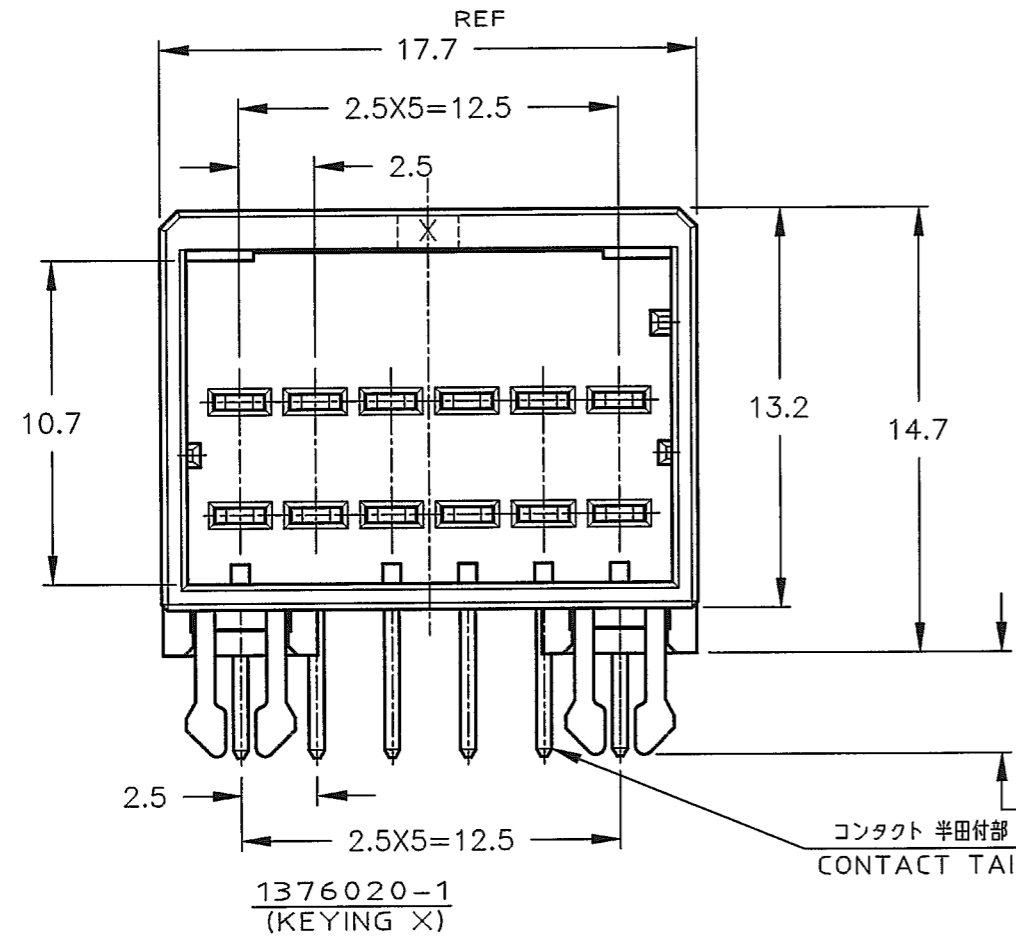
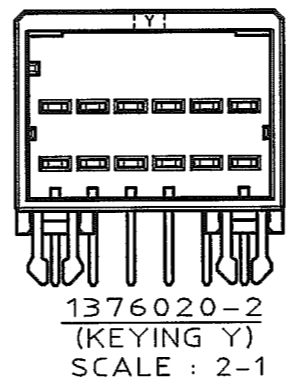
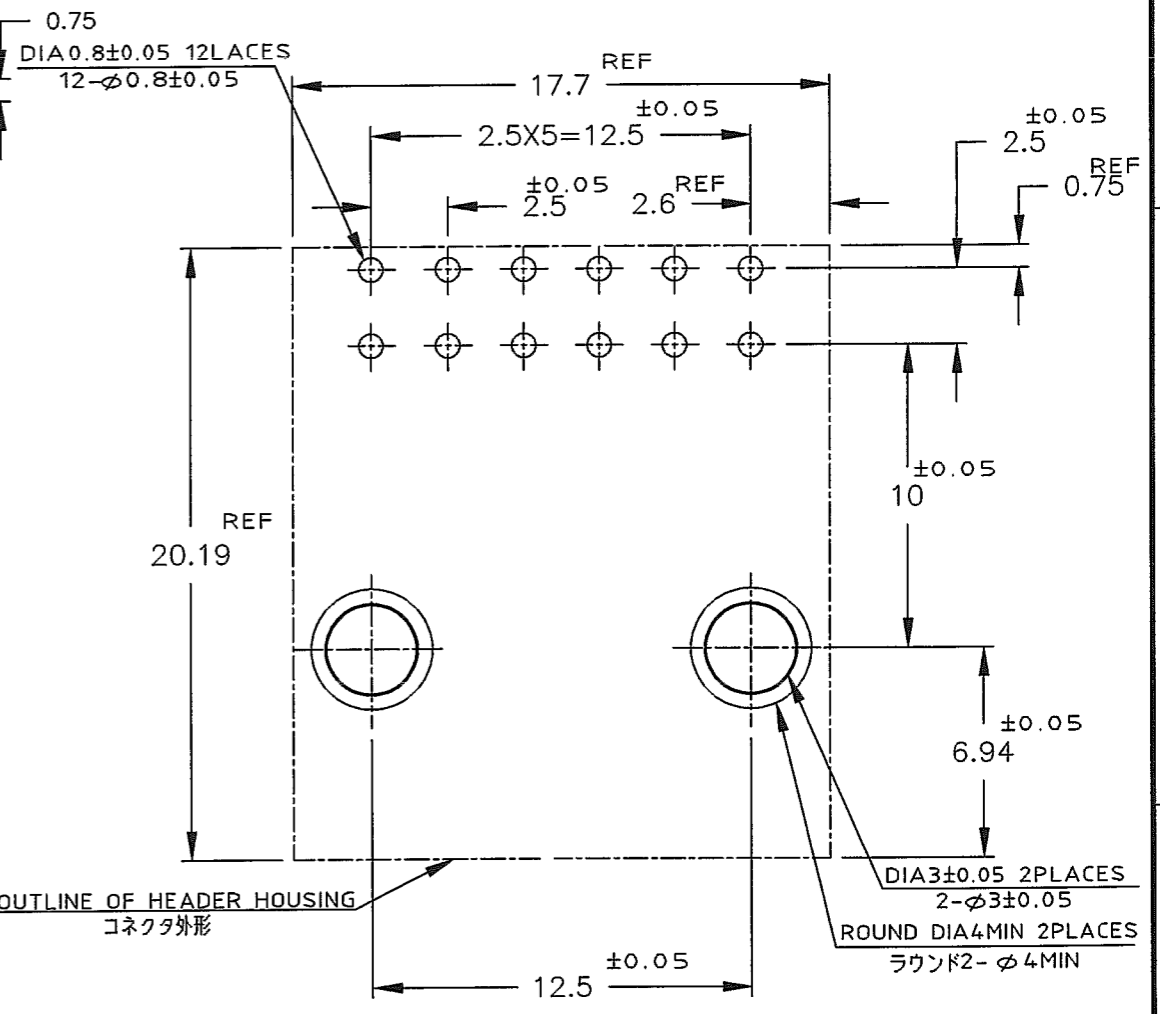
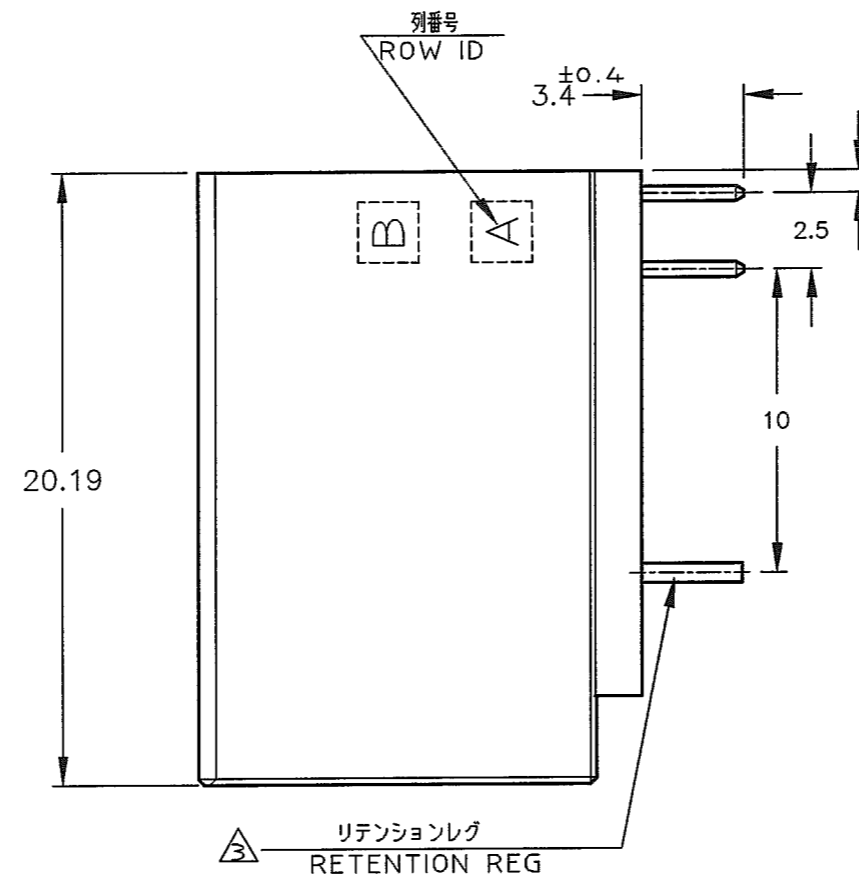
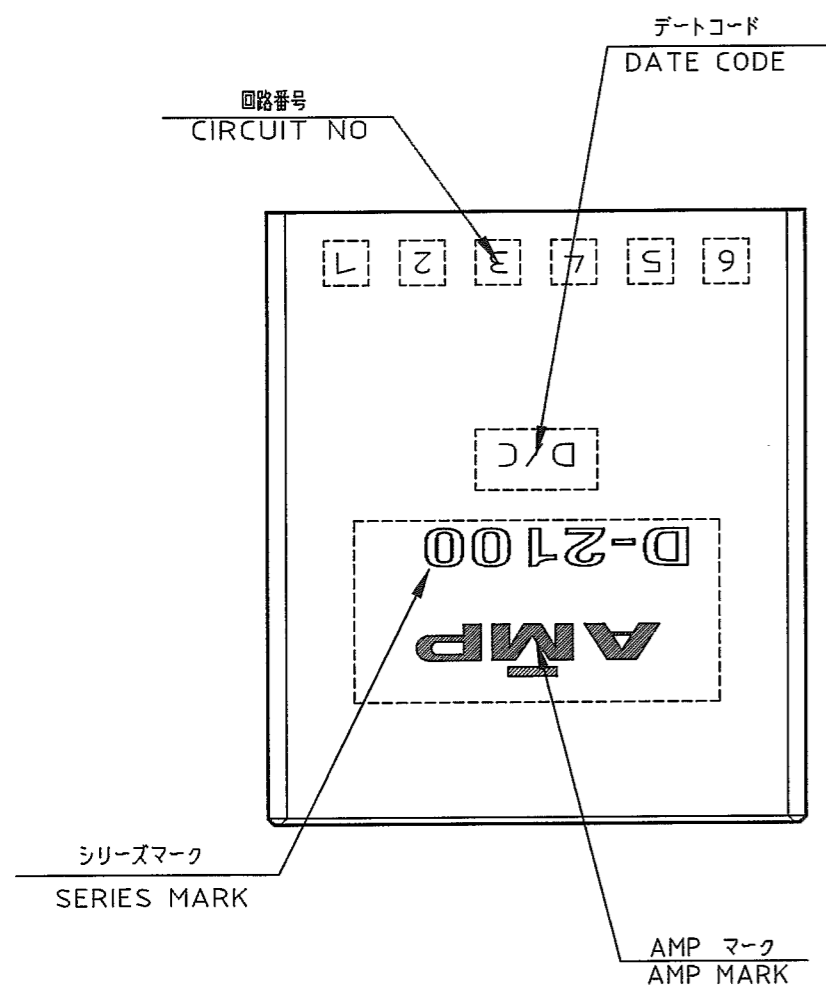
3

2

1

THIS DRAWING IS UNPUBLISHED. RELEASED FOR PUBLICATION, 1998
 © COPYRIGHT 1998 BY AMP INCORPORATED. ALL RIGHTS RESERVED.

LOC		DIST		REVISIONS						
J		ZDI		P	LTR	DESCRIPTION	ECN	DATE	DWN	APVD
				0		RELEASED	FJ00-1755-99	28FEB'00	K.I.H	I.H
				A		REVISED	FJ00-1080-00	21SEP'00	Y.K	S.M
				B		REVISED	FJD0-0039-03	6/2/03	T.S	S.Y



NOTES
 1. MATERIAL: HOUSING: GLASS FILLED THERMO PLASTIC, POLYESTER (94V-0), COLOR: BLACK
 TAB CONTACT: COPPER ALLOY
 RETENTION LEG: BRASS
 △ FINISH (CONTACT AREA): 0.38μm MIN GOLD PLATING OVER Ni PLATING
 △ FINISH (RETENTION LEG): TIN PLATED (CONTACT TAIL) OVER NICKEL

注記
 1. 材料: ハウジング: ガラス入り熱可塑性ポリエステル樹脂 (94V-0), 色: 黒
 タブ コンタクト: 銅合金
 リテンション レグ: 黄銅
 △ めっき: コンタクト: 全面Ni下地 接触部: 0.38μm MIN金めっき
 △ めっき: リテンションレグとコンタクト半田付部: ニッケル下地の上にスズめっき

THIS DRAWING IS A CONTROLLED DOCUMENT FOR AMP INCORPORATED. IT IS SUBJECT TO CHANGE AND THE CONTROLLING ENGINEERING ORGANIZATION SHOULD BE CONTACTED FOR THE LATEST REVISION.		DWN K.IKEDA 24/FEB/'00	Tyco Electronics AMP K.K. Kawasaki, Japan	
DIMENSIONS: 単位: mm		CHK Y.KATO 28/FEB/'00	NAME 2別 ヘッダーアセンブリー 12P (水平タイプ) DOUBLE ROW HEADER ASS'Y 12P ("H" TYPE) <DYNAMIC D-2100D>	
TOLERANCES UNLESS OTHERWISE SPECIFIED 一般公差 10% ±0.3 3% >10 ±0.35 10% >30 ±0.4 ANGLE: ±3'		APVD I.HASEGAWA 28/FEB/'00	PRODUCT SPEC 108-5619	
MATERIAL 注記参照 SEE NOTES		APPLICATION SPEC 取付適用規格 114-5258	DRAWING NO C-1376020	
FINISH 注記参照 SEE NOTES		WEIGHT T1	SIZE A3	RESTRICTED TO -
CUSTOMER DRAWING		CAGE CODE 00779	SCALE 4-1	
		SHEET 1		REV B

单击下面可查看定价，库存，交付和生命周期等信息

[>>TE Connectivity\(泰科\)](#)