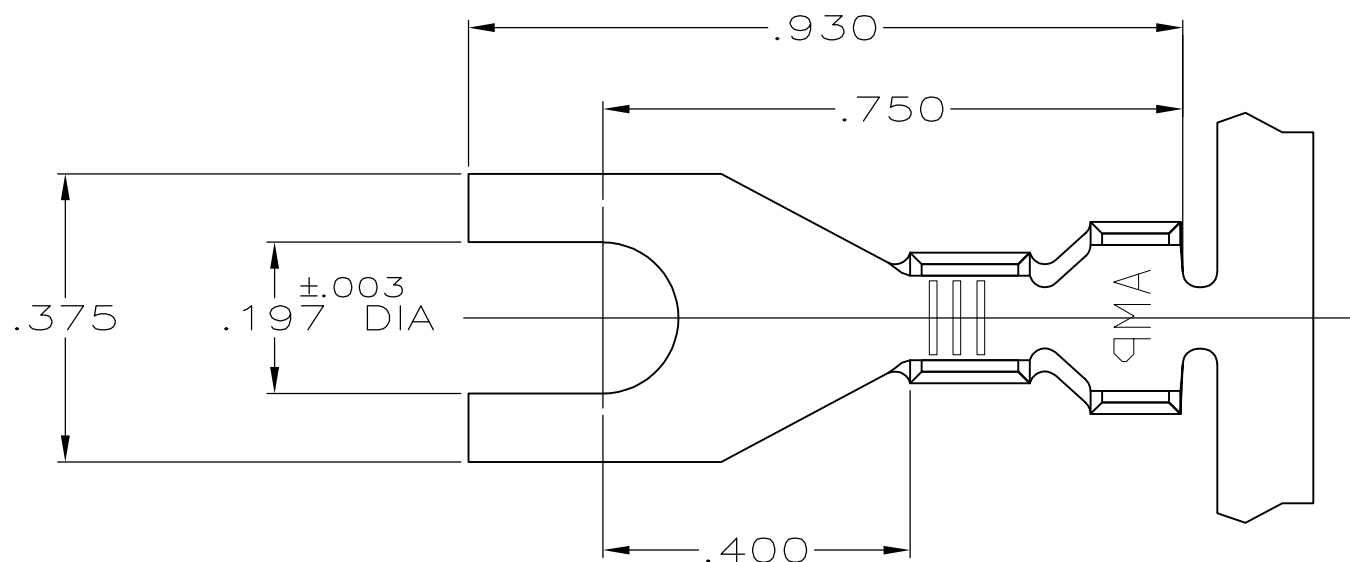
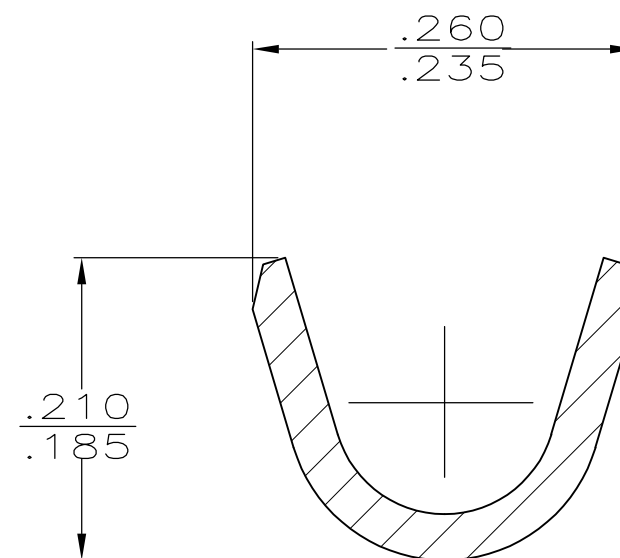
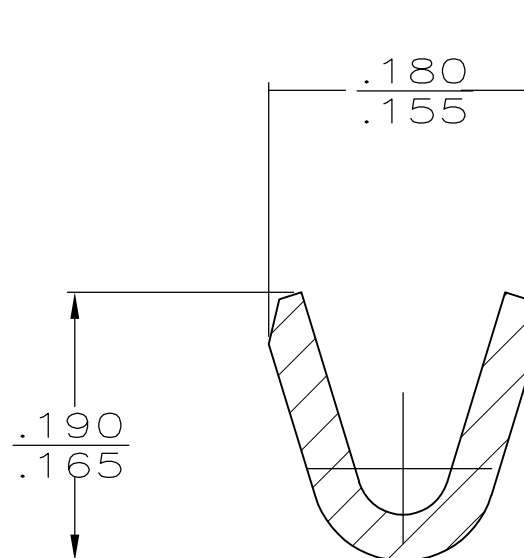
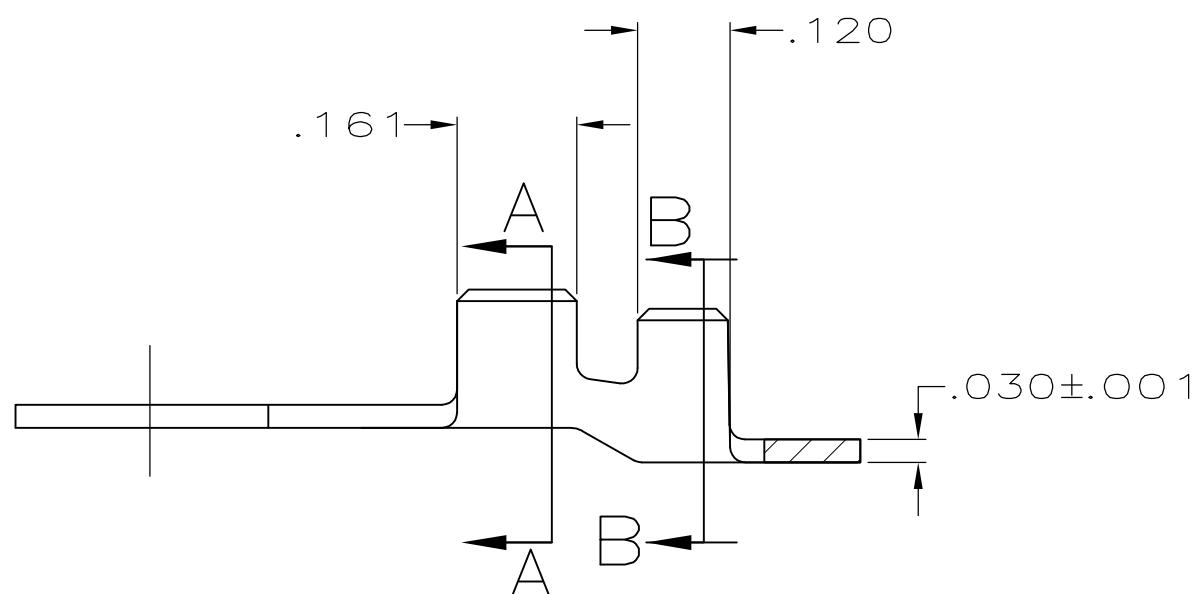


THIS DRAWING IS UNPUBLISHED. RELEASED FOR PUBLICATION
 © COPYRIGHT BY TYCO ELECTRONICS CORPORATION. ALL INTERNATIONAL RIGHTS RESERVED.

LOC	DIST	REVISIONS			
P	LTR	DESCRIPTION	DATE	DWN	APVD
AF	50	L	REVISED PER ECR-10-006099	10JUL10	HMR PD



1. CONTINUOUS STRIP ON REEL.
2. P/N 61857-2 IS REVERSE REELED.



SECTION A-A
SCALE 8:1

SECTION B-B
SCALE 8:1

OBSOLETE	.090-.150 DIA	18-14 AWG	61857-2
	INSULATION RANGE	WIRE RANGE	61857-1
			PART NO

THIS DRAWING IS A CONTROLLED DOCUMENT.		DWN P FORTNEY 4/15/91	Tyco Electronics Corporation Harrisburg, PA 17105-3608													
DIMENSIONS: INCHES		CHK JR RUTH 4/15/91														
TOLERANCES UNLESS OTHERWISE SPECIFIED:		APVD G YETTER 4/15/91	NAME													
<table border="1"> <tr><td>0 PLC</td><td>± -</td></tr> <tr><td>1 PLC</td><td>± -</td></tr> <tr><td>2 PLC</td><td>± -</td></tr> <tr><td>3 PLC</td><td>± .015</td></tr> <tr><td>4 PLC</td><td>± -</td></tr> <tr><td>ANGLES</td><td>± -</td></tr> </table>		0 PLC	± -	1 PLC	± -	2 PLC	± -	3 PLC	± .015	4 PLC	± -	ANGLES	± -	PRODUCT SPEC	SPADE	
0 PLC	± -															
1 PLC	± -															
2 PLC	± -															
3 PLC	± .015															
4 PLC	± -															
ANGLES	± -															
MATERIAL #2 HARD BRASS		FINISH TIN	APPLICATION SPEC	RESTRICTED TO												
		WEIGHT -	SIZE A3	CAGE CODE 00779												
		CUSTOMER DRAWING	DRAWING NO G-61857	SCALE 4:1												
			SHEET 1 OF 1	REV L												

单击下面可查看定价，库存，交付和生命周期等信息

[>>TE Connectivity\(泰科\)](#)