

4

3

2

1

THIS DRAWING IS UNPUBLISHED.

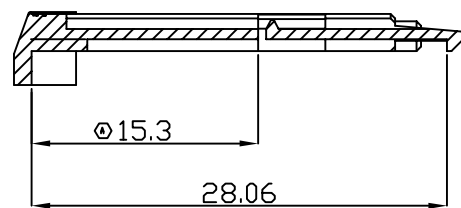
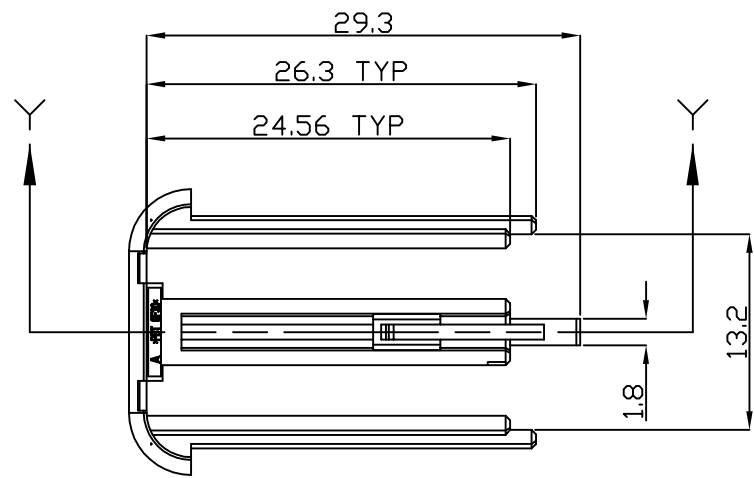
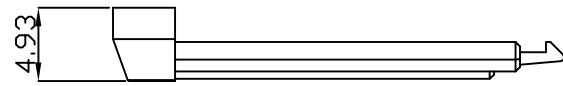
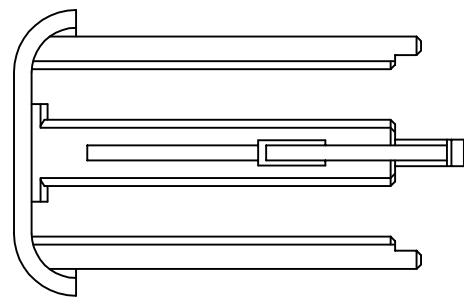
RELEASED FOR PUBLICATION

© COPYRIGHT

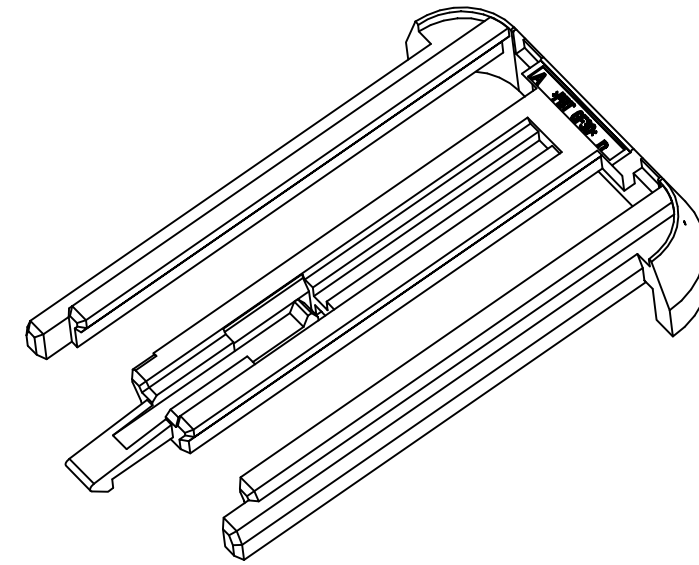
ALL RIGHTS RESERVED.

REVISIONS

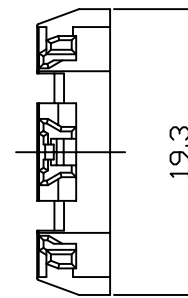
P	LTR	DESCRIPTION	DATE	DWN	APVD
	□	RELEASED<FC00-0162-00>	15,DEC,'00	HS	CS
	A	REVISED<ECR-17-011973>	17,AUG,'17	YH	KT



SECTION Y-Y


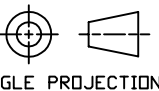


3-D VIEW  
SCALE 3/1



NOTES:

1. MATERIAL - P.B.T GF30, COLOR - YELLOW.
2. GENERAL TOLERANCE IS ±0.3
3. APPLIED PLUG ASSEMBLY P/N: 368383.

THIS DRAWING IS A CONTROLLED DOCUMENT.		DWN HS BAE		 TE Connectivity	
DIMENSIONS: MM		CHK BM JANG			
TOLERANCES UNLESS OTHERWISE SPECIFIED: 0 PLC ± ± 0.2 1 PLC ± ± 0.25 2 PLC ± ± 0.3 3 PLC ± ± 3° 4 PLC ± ± ANGLES ±		APVD CS LEE		NAME	
 3rd ANGLE PROJECTION		PRODUCT SPEC		MQS RETAINER HSG FOR 40POS	
MATERIAL SEE NOTE 1		APPLICATION SPEC		SIZE	RESTRICTED TO
FINISH N/A		WEIGHT		A3	
		CUSTOMER DRAWING		CAGE CODE 00779	DRAWING NO C-368388
		SCALE 2/1		SHEET 1 OF 1	REV A

单击下面可查看定价，库存，交付和生命周期等信息

[>>TE Connectivity\(泰科\)](#)