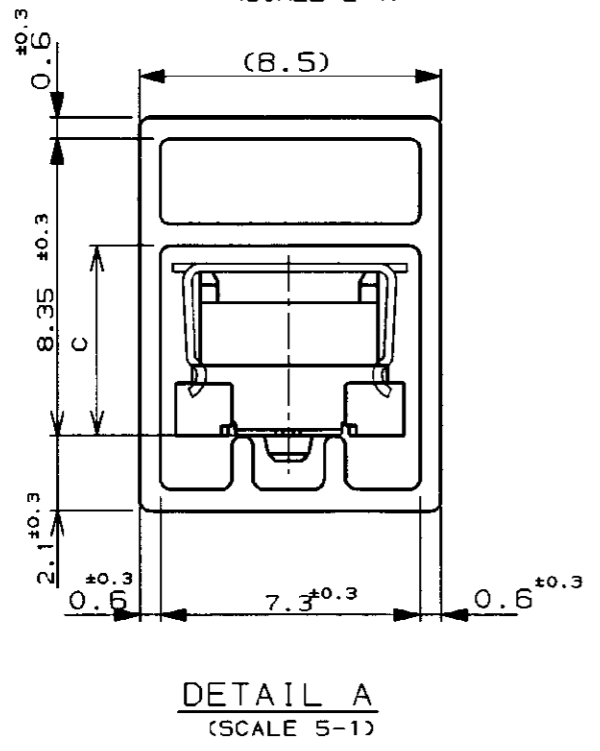
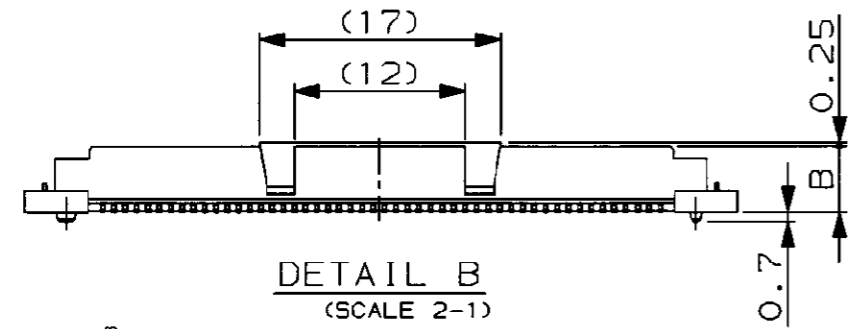
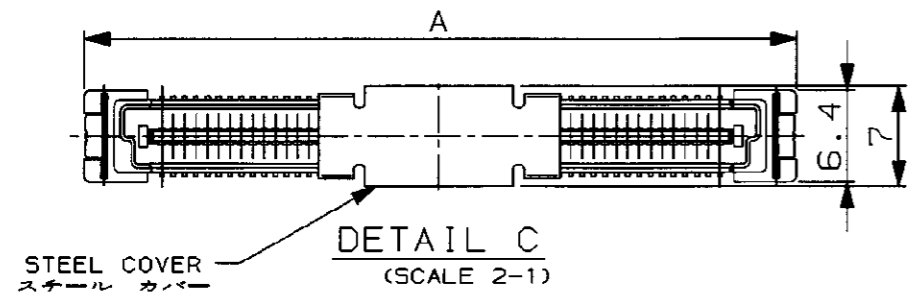
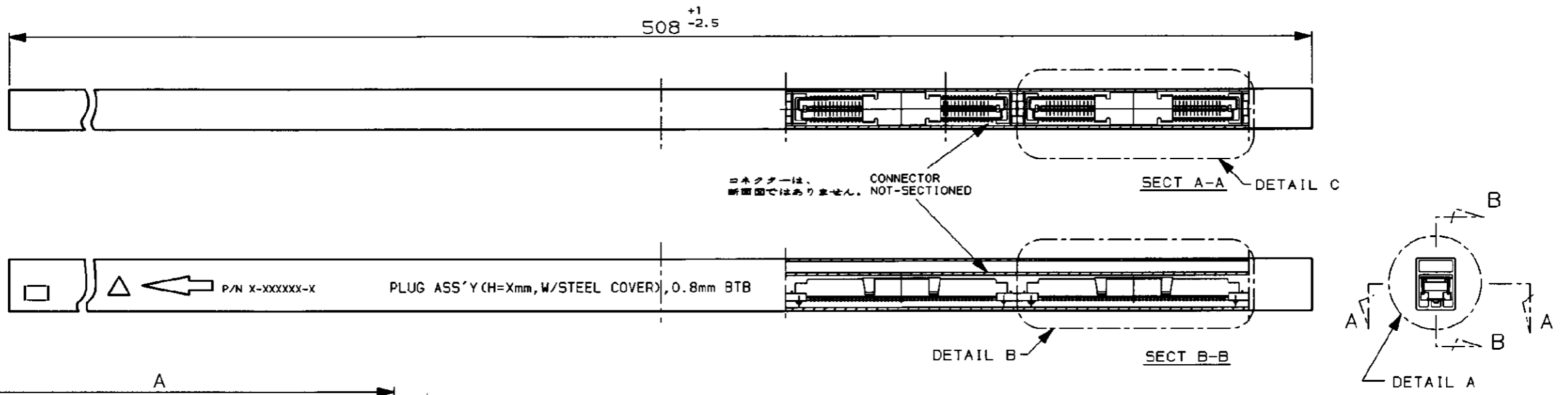


NUMBER C-179485  
 METRIC  
 3rd ANGLE PROJECTION  
 単位:mm DIMENSIONS IN MM. DO NOT SCALE PRINT  
 PRINT DIST  
 AMP-J  
 REV. 10/'83



NOTE;

- ⚠ THIS ITEM IS PRELIMINARY.
- 2. THIS PRODUCT WAS COATED BY FLUX-PENETRATION -INHIBITING AGENT.
- ⚠ OBSOLETE PARTS: OBSOLETE CIS STREAMLINING PER D.RENAUD/D.SINISI

注記;

- ⚠ このアイテムは、製品化準備中です。
- 2. 本製品はフラックス上り防止剤処理済み。

QTY/TUBE	TYPE	C	B	A	CONN P/N	POS.	極数	TUBE PACK P/N	QTY/TUBE	TYPE	C	B	A	CONN P/N	POS.	極数	TUBE PACK P/N	
5					90	1-	-0	200	7-					90	1-	-0	200	⚠ 3- -0
5					82		-9	180	⚠ 3- 6-					82		-9	180	⚠ 3- 2- -9
6					74		-8	160	6-					74		-8	160	2- -8
7					66		-6	140	⚠ 3- 6-					66		-6	140	2- -6
8					58		-5	120	6-					58		-5	120	⚠ 3- 2- -5
9	⚠ 8H	8.35	7.6	50	179106-4	100	⚠ 3- 6-	179485-4	9	⚠ 1- 6H	6.35	5.6	50	179102-4	100	2-	179485-4	
5					90	1-	-0	200	5-					90	1-	-0	200	1- -0
5					82		-9	180	⚠ 3- 4-					82		-9	180	⚠ 3- -9
6					74		-8	160	⚠ 3- 4-					74		-8	160	⚠ 3- -8
7					66		-6	140	⚠ 3- 4-					66		-6	140	⚠ 3- -6
8					58		-5	120	⚠ 3- 4-					58		-5	120	⚠ 3- -5
9	⚠ 7H	7.35	6.6	50	179104-4	100	⚠ 3- 4-	179485-4	9	⚠ 1- 5H	5.35	4.6	50	177935-4	100	⚠ 3-	179485-4	

Copyright ©1993 AMP (Japan), LTD. ALL RIGHTS RESERVED.

**AMP** 日本エー・एम・ピー株式会社 Kawasaki, Japan

名称 (NAME) PLUG ASSY WITH SOLDER PEG (WITH STEEL COVER IN TUBE), FH 0.8MM PITCH B-T-B CONNECTOR.

一般公差 (GENERAL TOLERANCE) 10mm以下: ±0.2, 10mm以上30mm以下: ±0.25, 30mm以上100mm以下: ±0.3, 角度: ±3°

数量 (REVISION RECORD)

REV	DATE	CHK	DR	APP
B1	09JAN 10	KK	AEG	
B	19-SEP '94	T.K	Jk	
A	24-JAN '94	I.E.Y.Y		
O	10-DEC '93	T.K	I.E	

尺度 (SCALE) 1-1

REV. B1

SHEET 1 OF 1

单击下面可查看定价，库存，交付和生命周期等信息

[>>TE Connectivity\(泰科\)](#)