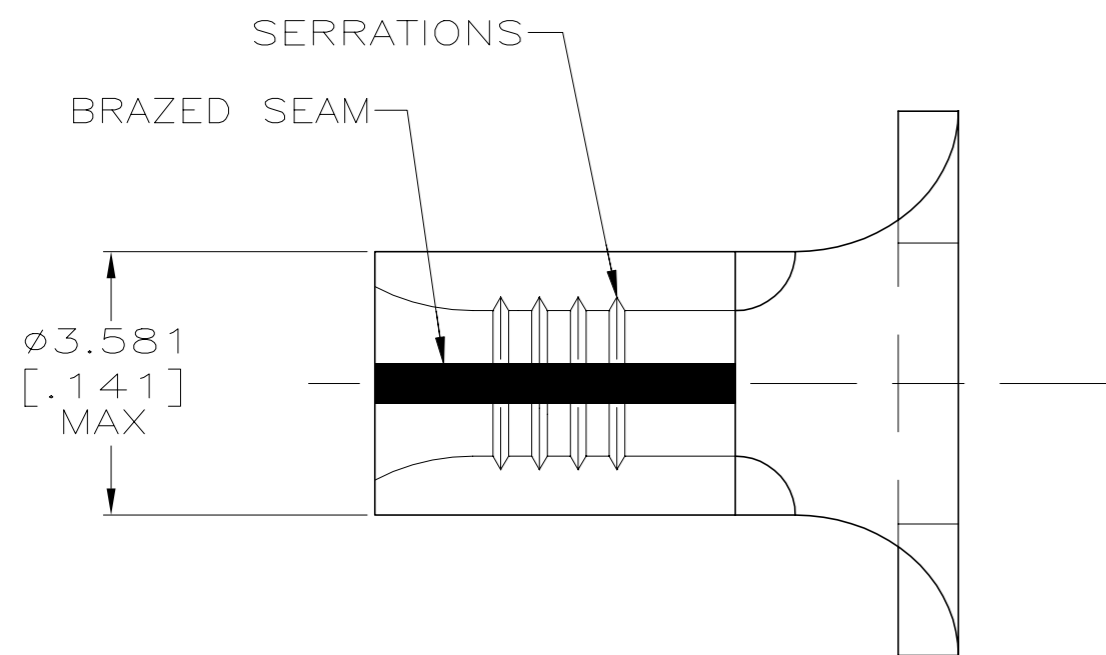
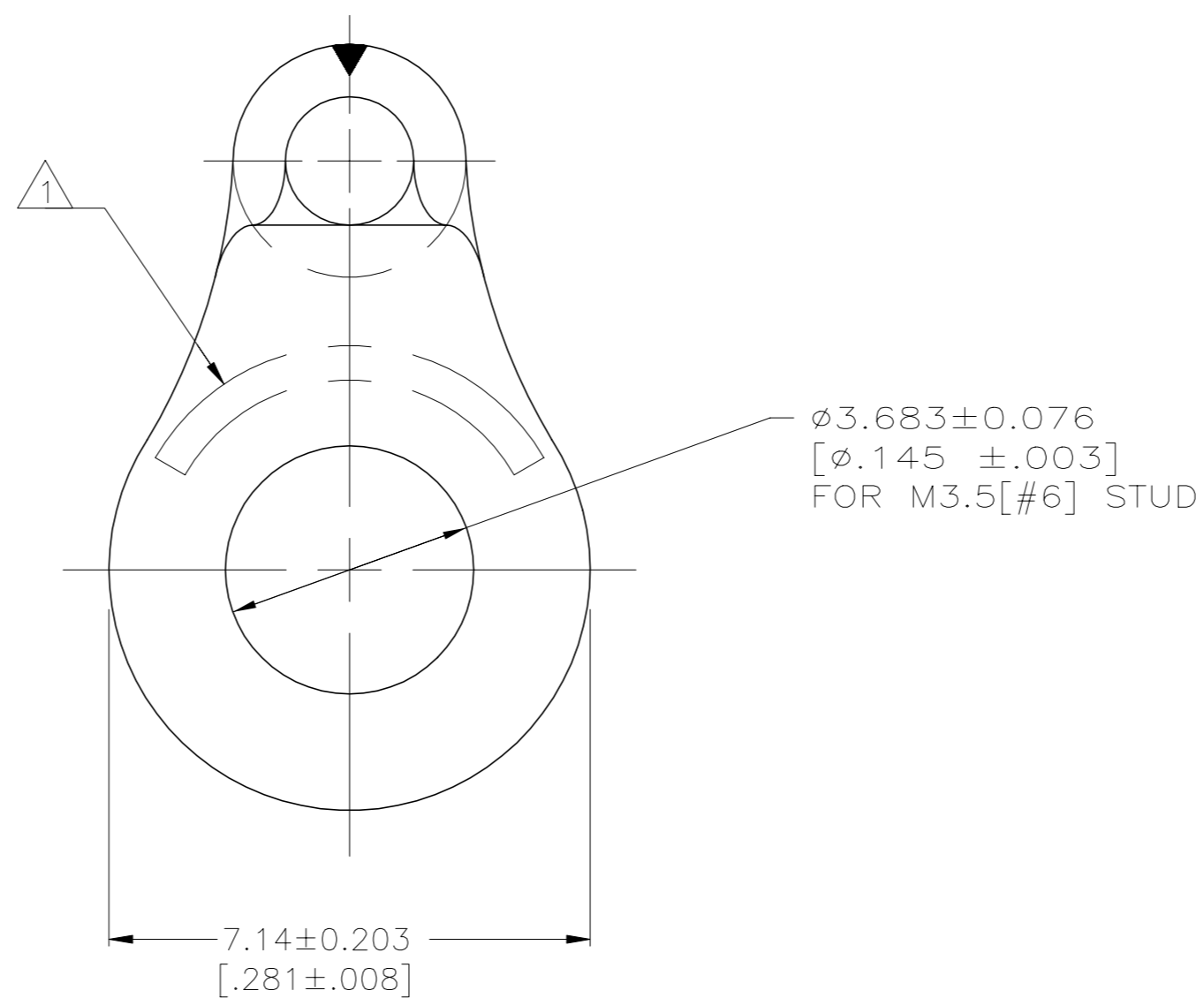
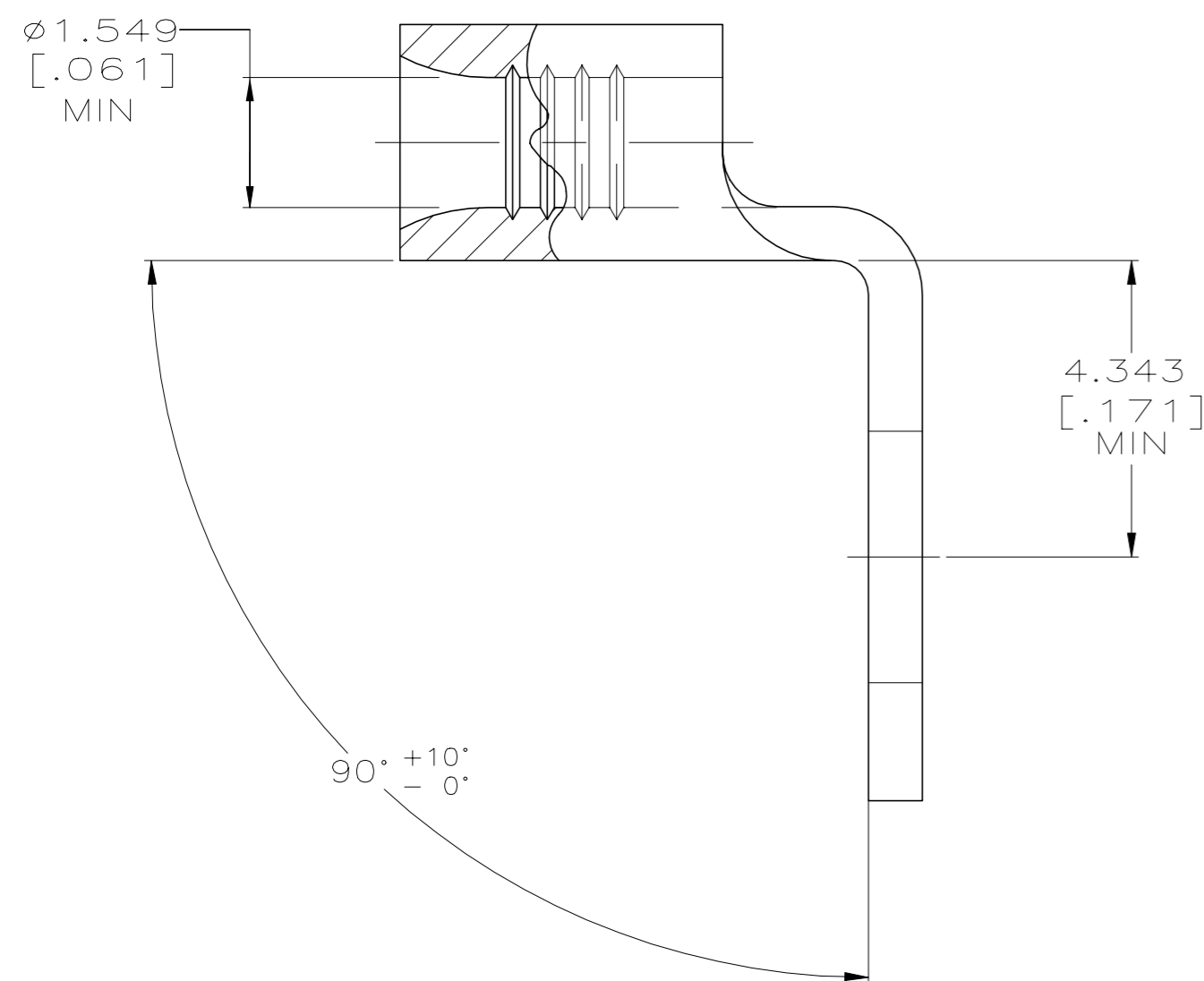


REVISIONS					
P	LTR	DESCRIPTION	DATE	DWN	APVD
A1		REVISED PER ECO-11-005027	11MAR11	RK	HMR
A2		REVISED PER ECO-20-012823	16SEP2020	SG	DR



AMP WIRE RANGE	E13288 Listed
22-16 AWG SOLID OR STRANDED	22-16 AWG SOLID OR STRANDED



- 1 STAMP AMP 22-18* APPROX AS SHOWN
22-16 TERMINALS ARE STAMPED 22-18 IN
ACCORDANCE WITH MILITARY SPEC SAE AS7928
COMMERCIAL WIRE RANGE IS 22-16
- 2 MATERIAL THICKNESS: 0.787±0.051[.031±.002]
- 3 MATERIAL: COPPER PER ASTM B152
- 4 FINISH: TIN PLATE 0.00254[.000100] MIN EXT THK
PER ASTM B545
- 5 FINISH: NICKEL PLATE 0.00762[.000300] MIN EXT
THK PER SAE AMS QQ-N-290
- 6 NOT UL APPROVED

**AMP INCORPORATED
CUSTOMER SERVICE SYSTEMS**

MAX RECOMMENDED OPERATING
TEMPERATURE:
SEE TABLE

FOR ADDITIONAL
PRODUCT INFORMATION OR
COPIES OF DRAWINGS
AND TECHNICAL DOCUMENTS

PRODUCT INFORMATION CENTER
1-800-522-6752

VOLTAGE RATING:
NOT APPLICABLE

FOR APPLICATION
TOOLING INFORMATION

TOOLING ASSISTANCE CENTER
1-800-722-1111

WIRE CROSS SECTIONAL AREA RANGE:
0.26-1.65mm² [509-3,260] CIR MILS
SOLID OR STRANDED

FOR ORDER ENTRY

1-800-526-5142

THIS DRAWING IS A CONTROLLED DOCUMENT FOR
AMP INCORPORATED. IT IS SUBJECT TO CHANGE
AND THE CONTROLLING ENGINEERING ORGANIZATION
SHOULD BE CONTACTED FOR THE LATEST REVISION.

6 PRELIMINARY	1000	LOOSE PIECE	343°C [649 F]	5	321262-1
			170°C [221 F]	4	321262
	QTY	PACKAGE TYPE	MAX TEMP	FINISH	PART NO

THIS DRAWING IS A CONTROLLED DOCUMENT.		DWN DK SCHRUM 04MAY94	TE Connectivity		
DIMENSIONS: INCHES		CHK DA PATTERSON 05AUG94	NAME CH KULYNYCH 05AUG94		
TOLERANCES UNLESS OTHERWISE SPECIFIED:		APVD CH KULYNYCH 05AUG94	PRODUCT SPEC		
0 PLC ± -		APPLICATION SPEC		TERMINAL, RING TONGUE, SOLISTRAND AND STARTO-THERM, HR, 90° BEND, WIRE SIZE: 22 - 16 AWG	
1 PLC ± -		WEIGHT		SIZE CAGE CODE DRAWING NO RESTRICTED TO	
2 PLC ± -		-		A2 00779 C-321262	
3 PLC ± 0.127[.005]		-		SCALE 10:1 SHEET 1 OF 1 REV A2	
4 PLC ± - ± -		-			
ANGLES		-			
FINISH		-			
SEE TABLE		CUSTOMER DRAWING			

单击下面可查看定价，库存，交付和生命周期等信息

[>>TE Connectivity\(泰科\)](#)