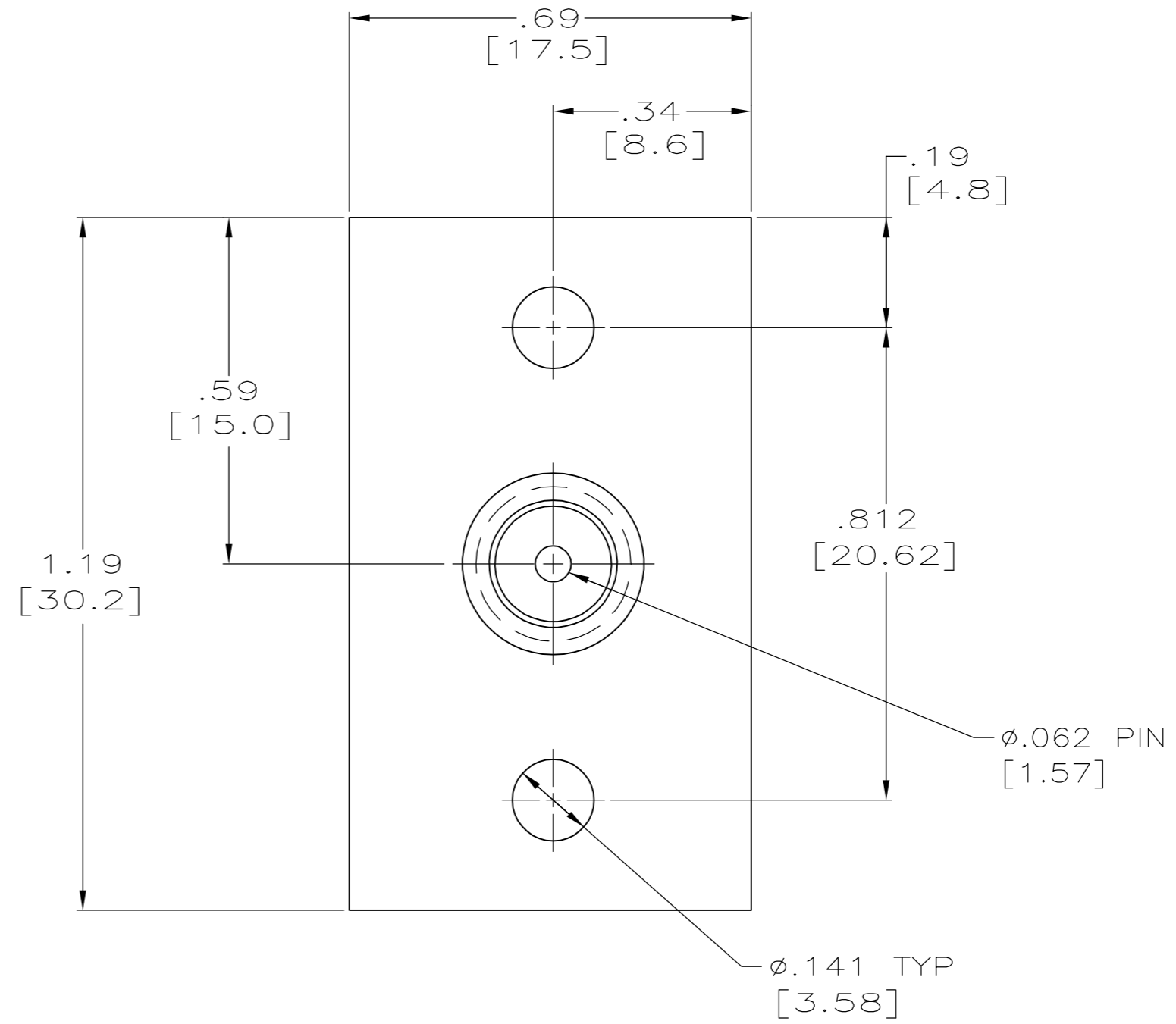
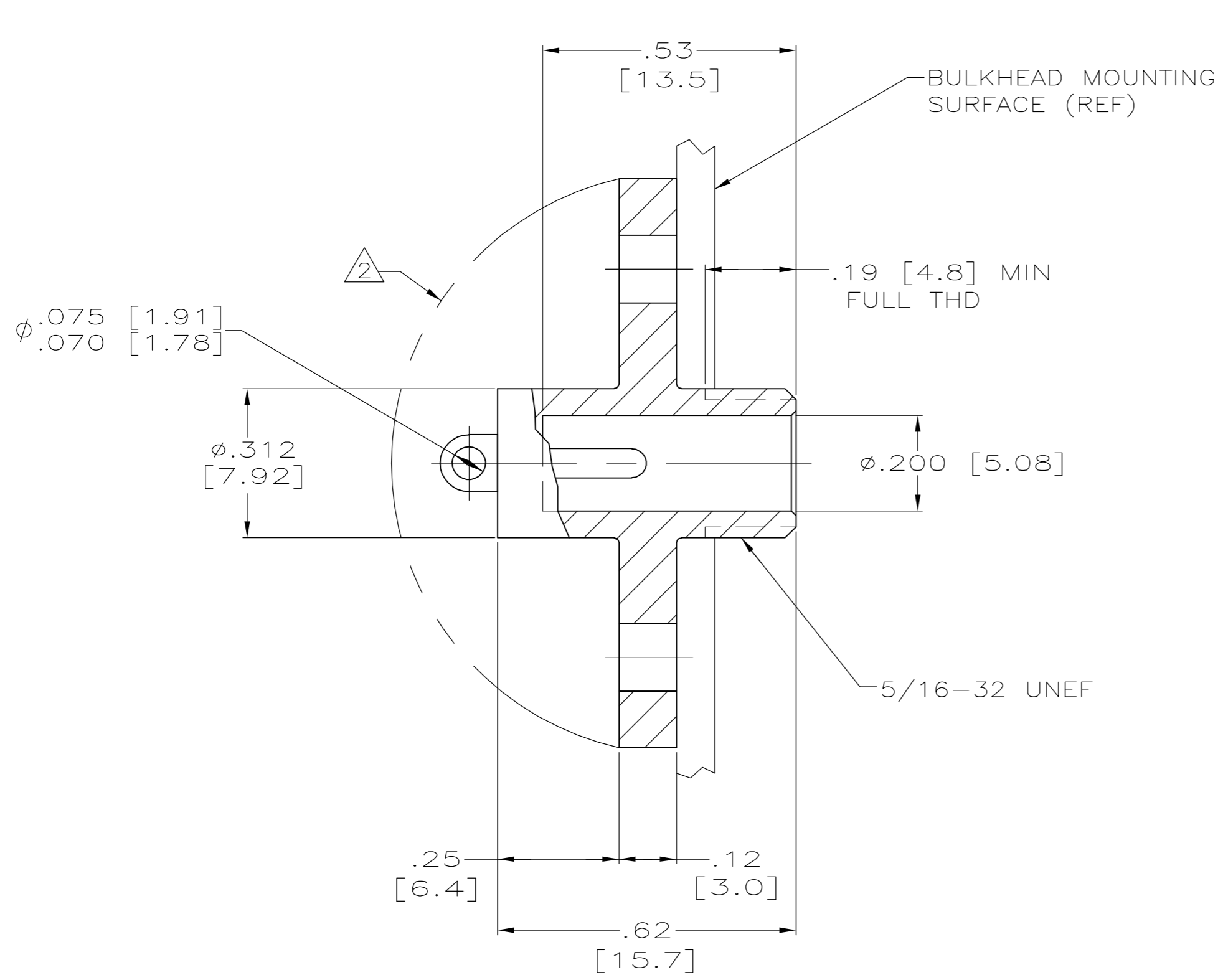


THIS DRAWING IS UNPUBLISHED. RELEASED FOR PUBLICATION - N/A .  
 © COPYRIGHT N/A BY TYCO ELECTRONICS CORPORATION. ALL RIGHTS RESERVED.

LOC	DIST	REVISIONS					
DF	SO	P	LTR	DESCRIPTION	DATE	DWN	APVD
		J		REV PER 0H14-0191-05	05-05	AA	DE

- RECEPTACLE TO MATE WITH AMP LGH-1/2 LEAD ASSY, AVAILABLE SEPARATELY.
- ⚠ IF BULKHEAD AND MOUNTING HARDWARE ARE METALLIC AND AT GROUND POTENTIAL, PROVISIONS MUST BE MADE TO PROTECT THE RECEPTACLE'S BACK-END AGAINST ARC-OVER AND BREAKDOWN.



TIN	5-830395-1
GOLD	830395-2
TIN-LEAD	830395-1
TERMINAL PLATING	PART NUMBER

THIS DRAWING IS A CONTROLLED DOCUMENT.		DWN	29-AUG-91	C.C.THOMAS		Tyco Electronics Corporation Harrisburg, Pa 17105-3608			
DIMENSIONS: INCHES		CHK	10-SEP-91	S.GLATFELTER					
TOLERANCES UNLESS OTHERWISE SPECIFIED:		APVD	10-SEP-91	S.GLATFELTER					
0 PLC ± - 1 PLC ± - 2 PLC ± .02[0.5] 3 PLC ± .010[0.25] 4 PLC ± - ANGLES ± - FINISH -		PRODUCT SPEC		NAME					
MATERIAL: EPOXY MLDG CMPD, COLOR: BLACK		APPLICATION SPEC		FLANGED RECEPTACLE ASSY LGH-1/2		SIZE	CAGE CODE	DRAWING NO	RESTRICTED TO
		WEIGHT: 5 GRAMS MAX		A2 00779		C=830395		-	
		CUSTOMER DRAWING		SCALE: 4:1		SHEET 1 OF 1		REV J	

单击下面可查看定价，库存，交付和生命周期等信息

[>>TE Connectivity\(泰科\)](#)