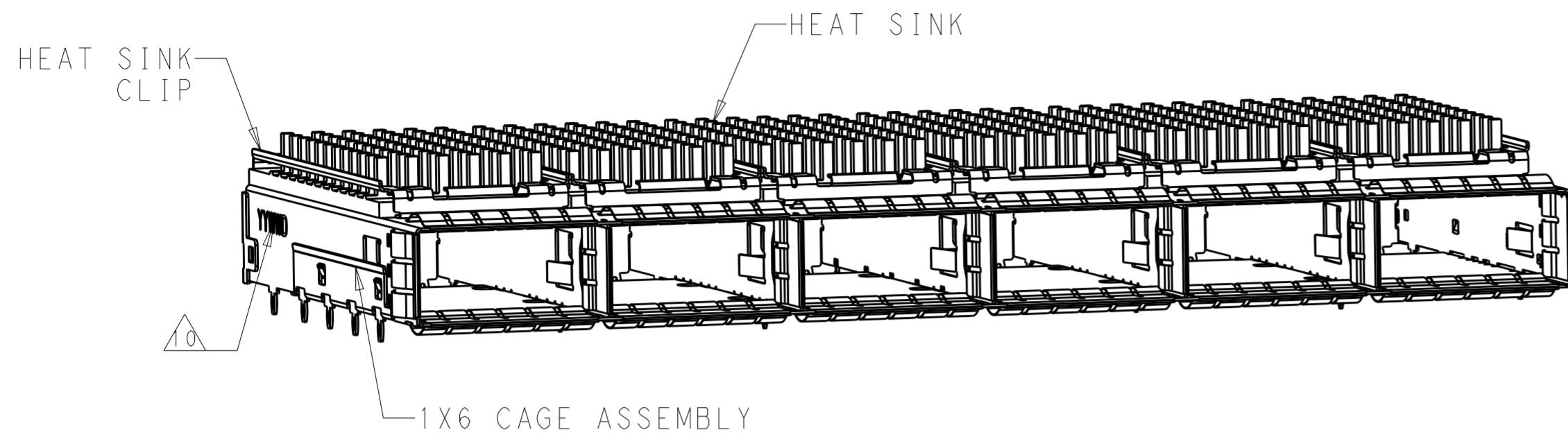
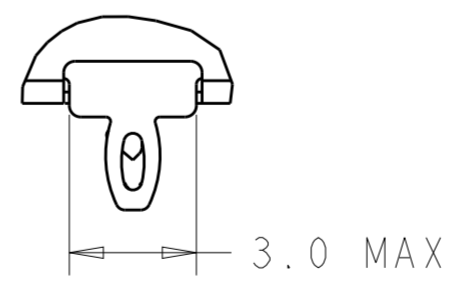
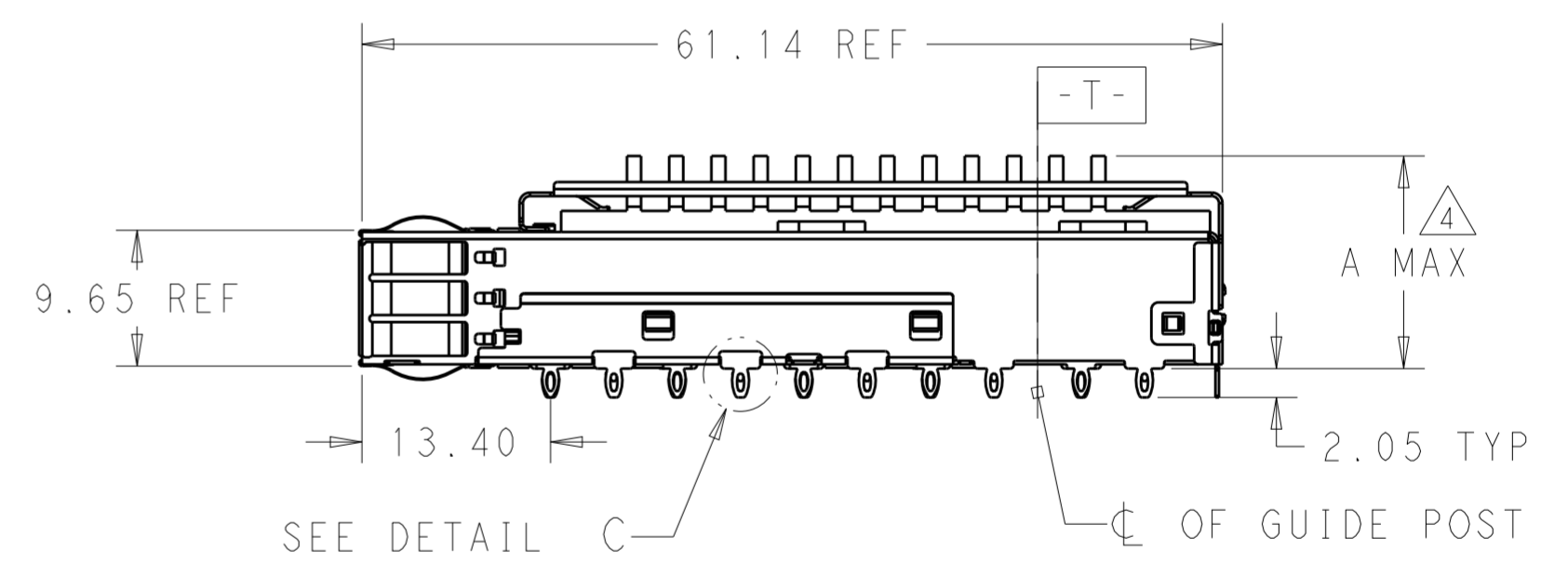
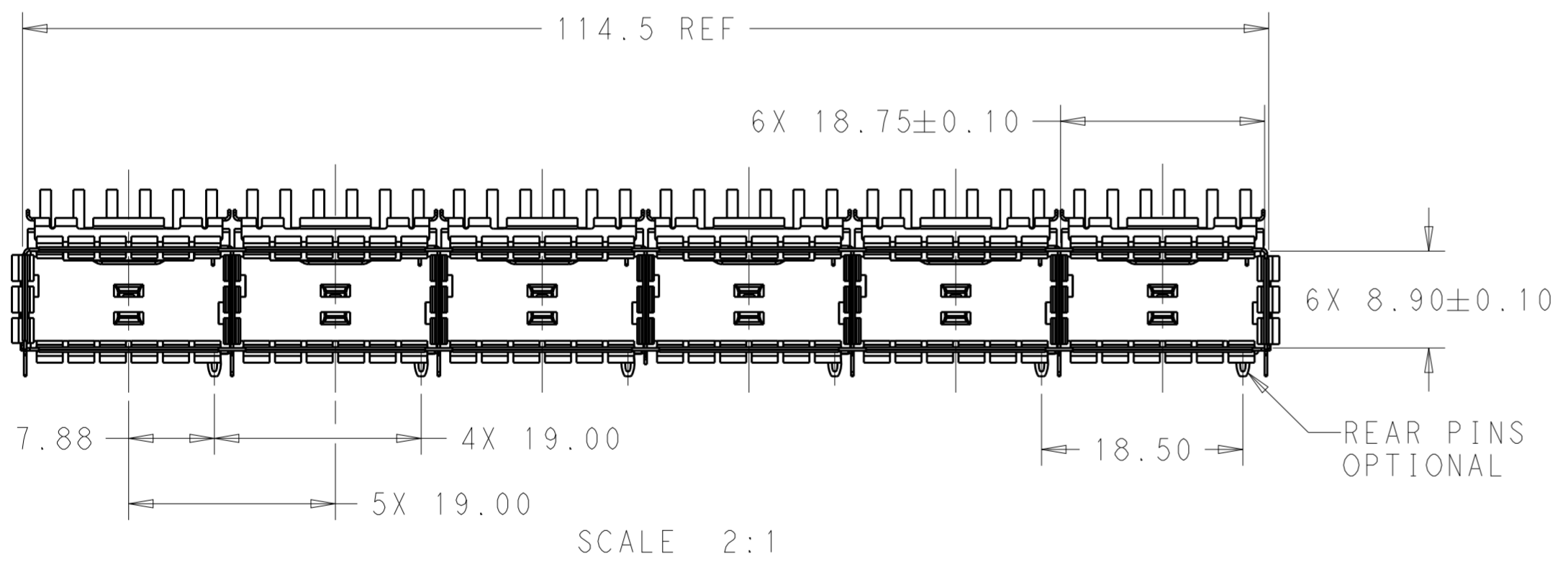


THIS DRAWING IS UNPUBLISHED. RELEASED FOR PUBLICATION 20
 © COPYRIGHT 20 BY - ALL RIGHTS RESERVED.

REVISIONS				
P	LTR	DESCRIPTION	DATE	APVD
	A	INITIAL RELEASE	25JAN2016	JY SH



1. COMPONENTS
 CAGE ASSEMBLY: NICKEL-SILVER ALLOY
 HEAT SINK: ALUMINUM/BLACK ANODIZE
 HEAT SINK CLIP: STAINLESS STEEL
 EMI SPRING: COPPER ALLOY/NICKEL PLATE
2. REFERENCE APPLICATION SPECIFICATION 114-32023 FOR RECOMMENDED DRILL HOLE DIAMETER AND PLATING THICKNESS
3. DATUM AND BASIC DIMENSION ESTABLISHED BY CUSTOMER
4. DIMENSION APPLIES WITH MODULE INSERTED IN CAGE
5. HEAT SINKS, HEAT SINK CLIPS AND LIGHT PIPES ARE SHIPPED ASSEMBLED ON CAGE
6. MINIMUM PC BOARD THICKNESS: SINGLE SIDED: 1.57 MIN
 DOUBLE SIDED: 3.00 MIN
7. DATUM -A- IS TOP SURFACE OF THE HOST BOARD.
8. THESE HOLES ARE OPTIONAL WHEN THE REAR PINS ARE REMOVED.
9. MATES WITH QSFP28 MSA COMPATIBLE TRANSCEIVER.
10. DATE CODE (YYWWD) MARKED APPROXIMATELY AS SHOWN.



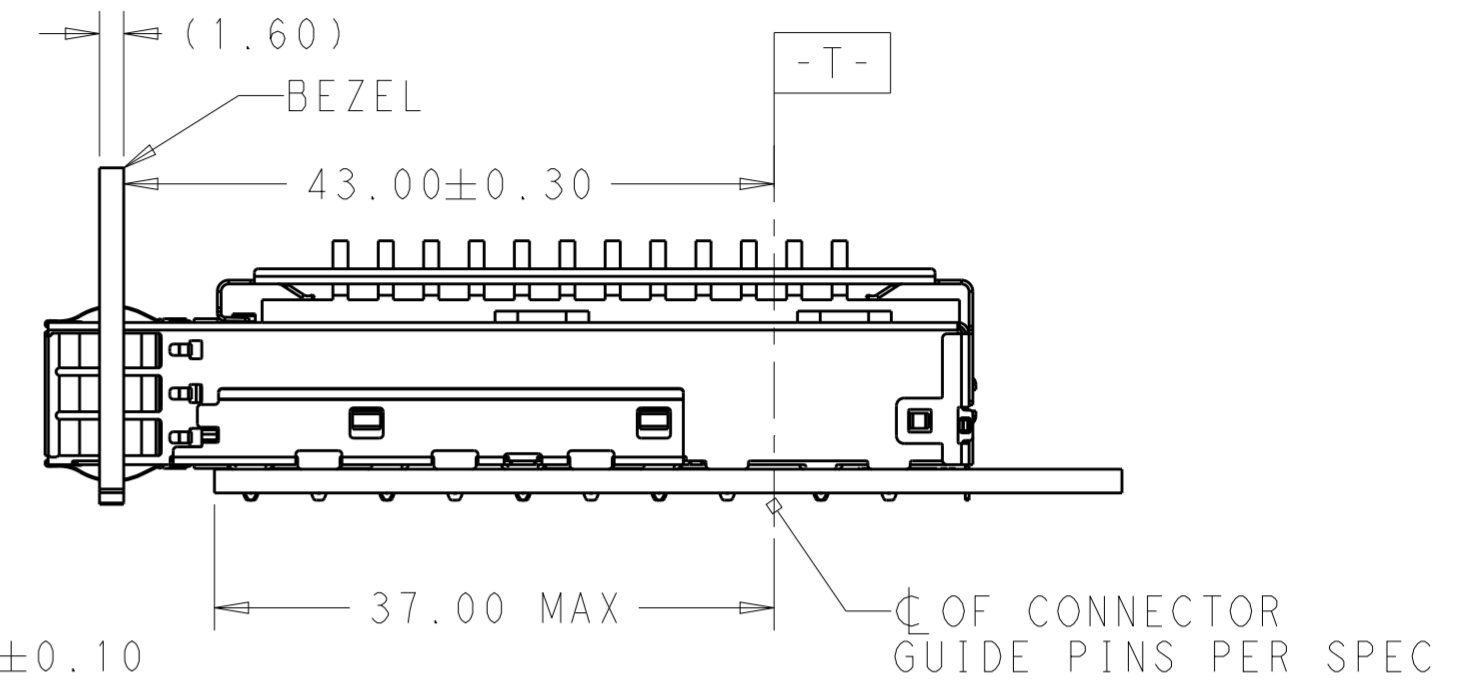
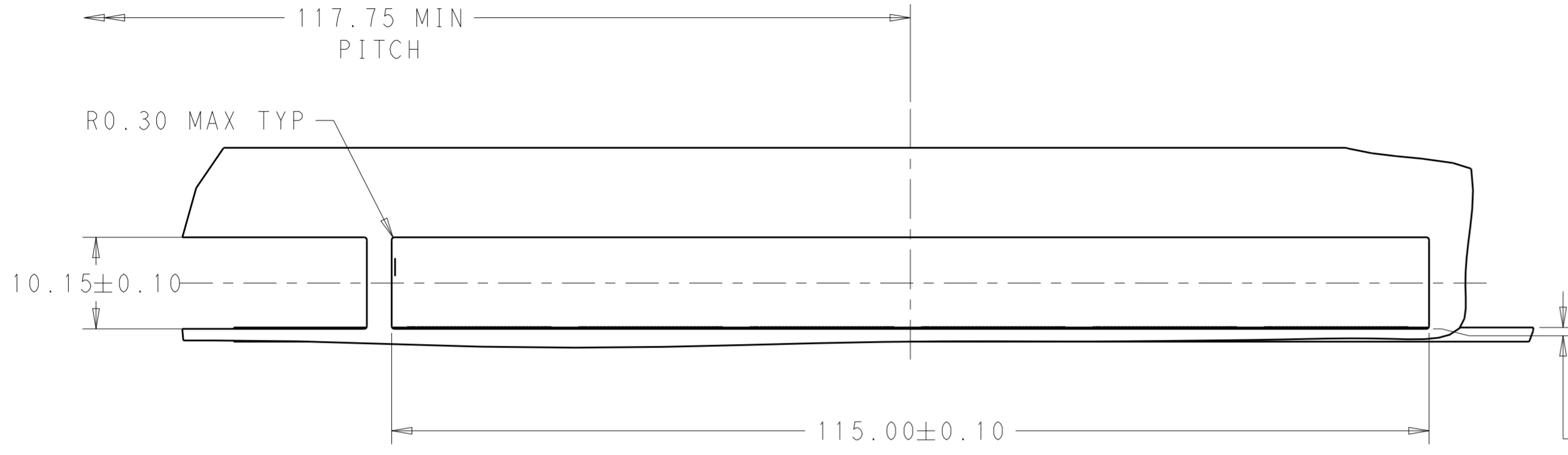
DETAIL C
 SCALE 6:1

23.0	WITHOUT	NETWORKING	2170707-6
16.0	WITHOUT	SAN	2170707-5
13.7	WITHOUT	PCI	2170707-4
23.0	WITH	NETWORKING	2170707-3
16.0	WITH	SAN	2170707-2
13.7	WITH	PCI	2170707-1
DIM A	REAR PINS OPTIONAL	APPLICATION	PART NUMBER

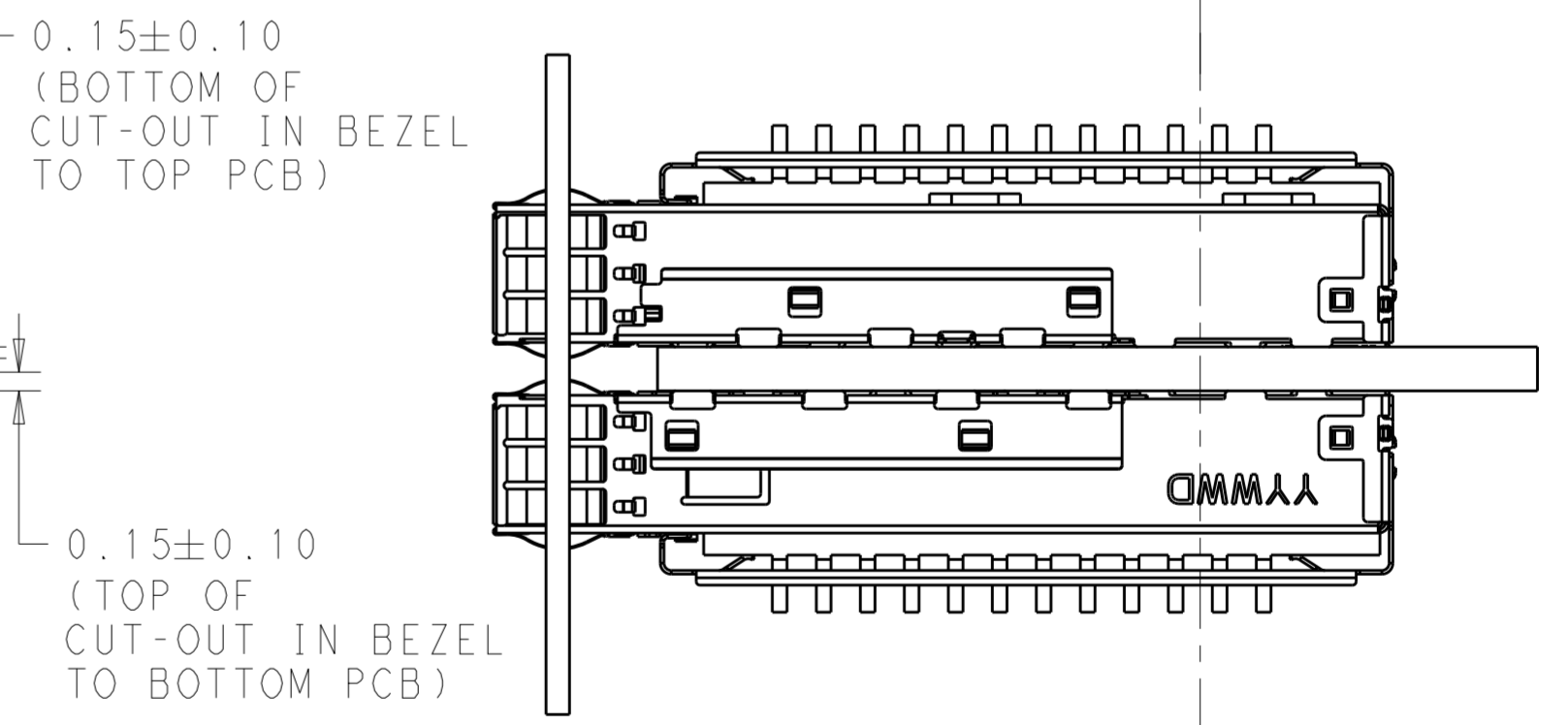
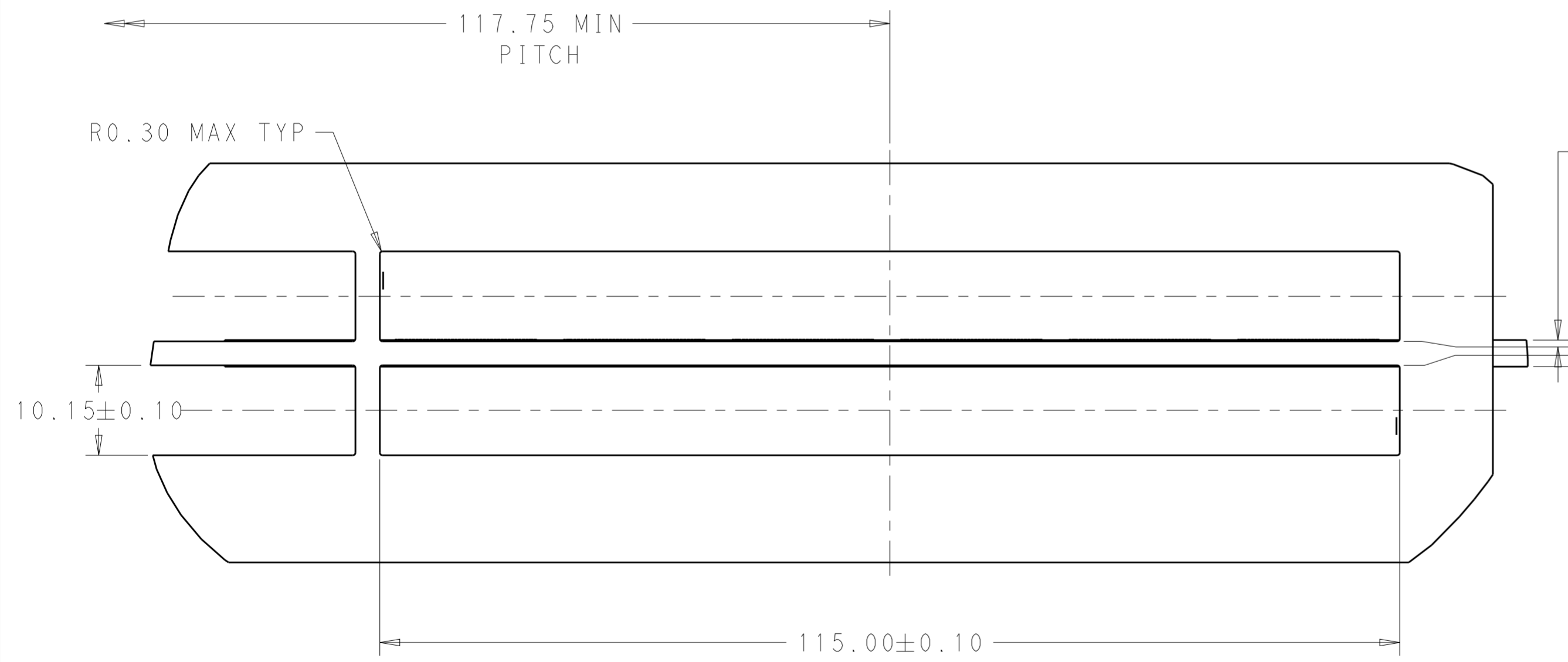
THIS DRAWING IS A CONTROLLED DOCUMENT.		DWN JASON YANG 25FEB2014	STE TE Connectivity	
		CHK SEAN HAN 05JAN2016		
DIMENSIONS:	TOLERANCES UNLESS OTHERWISE SPECIFIED:	APVD -	NAME CAGE ASSEMBLY, 1X6, QSFP28 WITH HEAT SINKS THRU BEZEL, EMI SPRING	
mm	0 PLC ± 1 PLC ±0.25 2 PLC ±0.2 3 PLC ± 4 PLC ±	PRODUCT SPEC 108-19428	SIZE CAGE CODE DRAWING NO	
MATERIAL SEE NOTES	ANGLES FINISH SEE NOTES	APPLICATION SPEC 114-32023	A200779	C-2170707
		WEIGHT -	RESTRICTED TO -	
		CUSTOMER DRAWING	SCALE 3:1	SHEET 1 OF 5 REV A

THIS DRAWING IS UNPUBLISHED. RELEASED FOR PUBLICATION 20
 © COPYRIGHT 20 BY - ALL RIGHTS RESERVED.

REVISIONS				
P	LTR	DESCRIPTION	DATE	APVD
-		SEE SHEET 1	-	-



SINGLE SIDE MOUNTING
SCALE 2:1

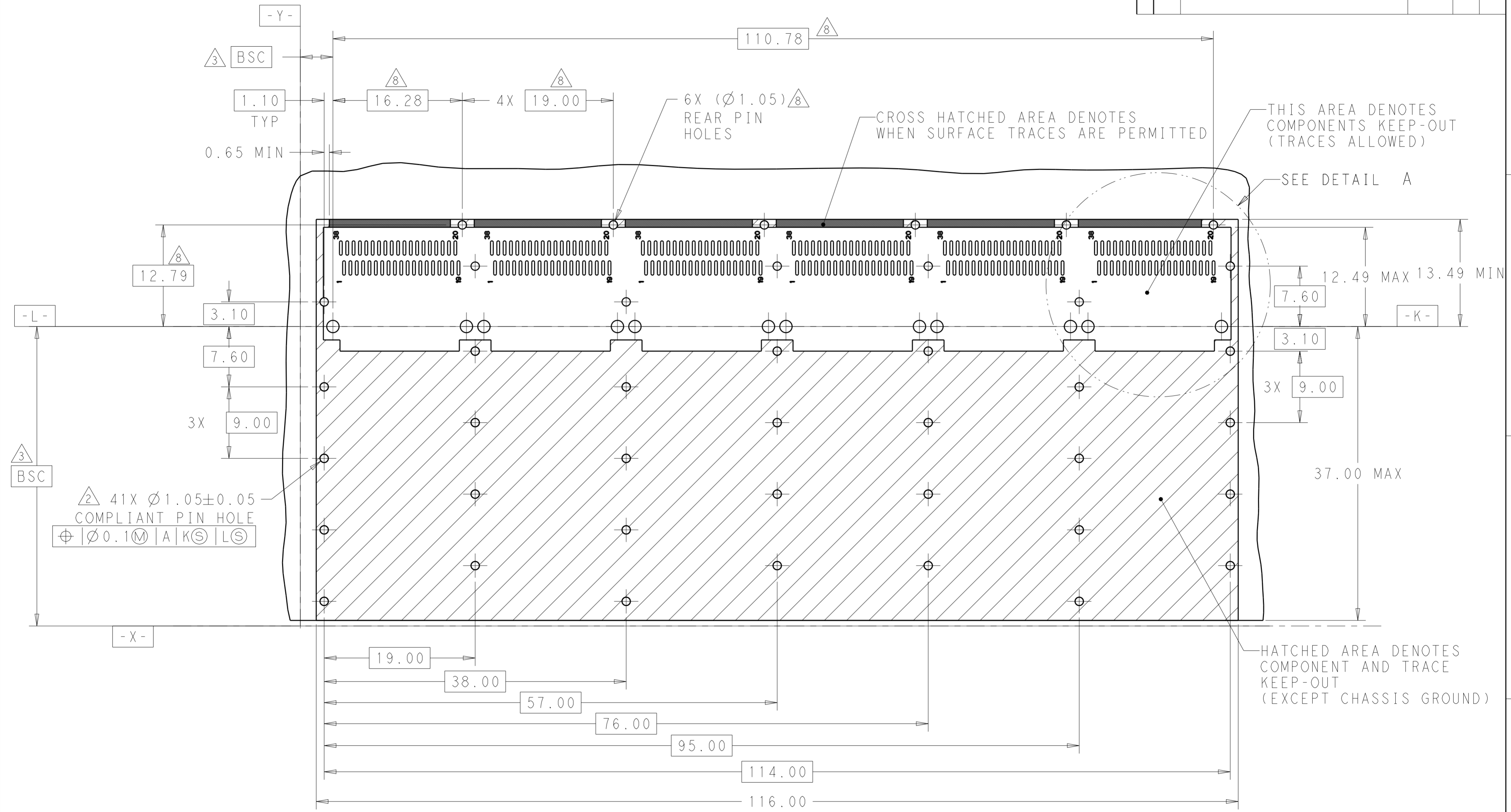


BELLY TO BELLY MOUNTING
SCALE 2:1

THIS DRAWING IS A CONTROLLED DOCUMENT.		DWN 25FEB2014 JASON YANG	STE TE Connectivity	
		CHK 05JAN2016 SEAN HAN		
DIMENSIONS:	TOLERANCES UNLESS OTHERWISE SPECIFIED:	APVD -	NAME	CAGE ASSEMBLY, 1X6, QSFP28 WITH HEAT SINKS THRU BEZEL, EMI SPRING
mm	0 PLC ± 1 PLC ±0.25 2 PLC ±0.2 3 PLC ± 4 PLC ±	PRODUCT SPEC	108-19428	
MATERIAL	FINISH	APPLICATION SPEC	114-32023	RESTRICTED TO
SEE NOTES	SEE NOTES	WEIGHT	-	-
		CUSTOMER DRAWING	SCALE 3:1	SHEET 1 OF 5

THIS DRAWING IS UNPUBLISHED. RELEASED FOR PUBLICATION 20
 © COPYRIGHT 20 BY - ALL RIGHTS RESERVED.

REVISIONS				
P	LTR	DESCRIPTION	DATE	APVD
-	-	SEE SHEET 1	-	-

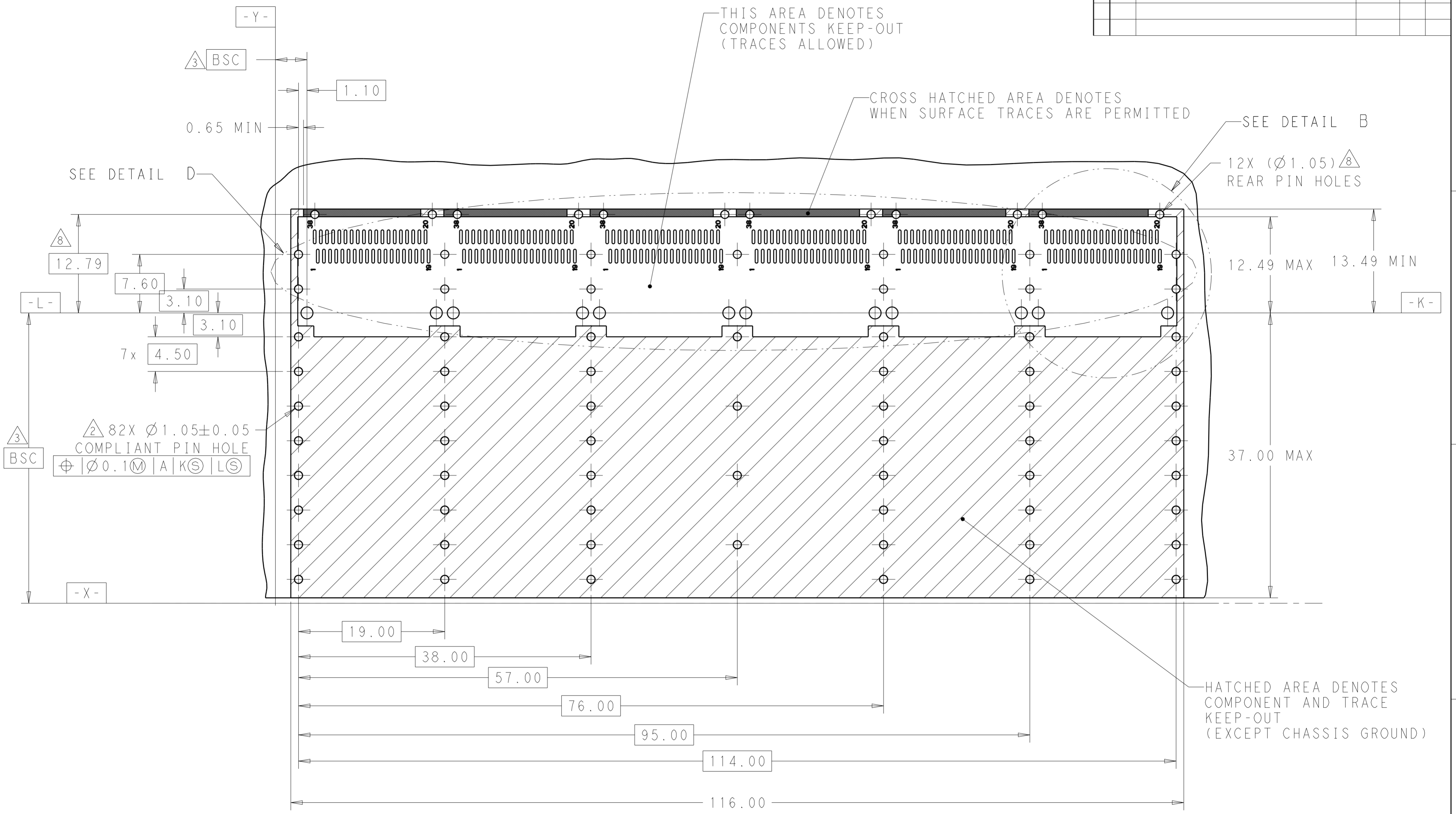


RECOMMENDED PCB LAYOUT
 SINGLE TYPE
 PCB TOLERANCE: ±0.05
 SCALE 3:1

THIS DRAWING IS A CONTROLLED DOCUMENT.		DWN 25FEB2014 JASON YANG	TE Connectivity	
		CHK 05JAN2016 SEAN HAN		
DIMENSIONS: mm		APVD -	NAME CAGE ASSEMBLY, 1X6, QSFP28 WITH HEAT SINKS THRU BEZEL, EMI SPRING	
TOLERANCES UNLESS OTHERWISE SPECIFIED:		PRODUCT SPEC 108-19428	SIZE A2	
0 PLC ±		APPLICATION SPEC 114-32023	CAGE CODE 00779	DRAWING NO C-2170707
1 PLC ±0.25		WEIGHT -	RESTRICTED TO -	
2 PLC ±0.2		CUSTOMER DRAWING		
3 PLC ±		SCALE 3:1 SHEET 1 OF 5 REV A		
4 PLC ±				
ANGLES ±				
FINISH				
MATERIAL SEE NOTES				

THIS DRAWING IS UNPUBLISHED. RELEASED FOR PUBLICATION 20
 © COPYRIGHT 20 BY - ALL RIGHTS RESERVED.

REVISIONS				
P	LTR	DESCRIPTION	DATE	APVD
-	-	SEE SHEET 1	-	-

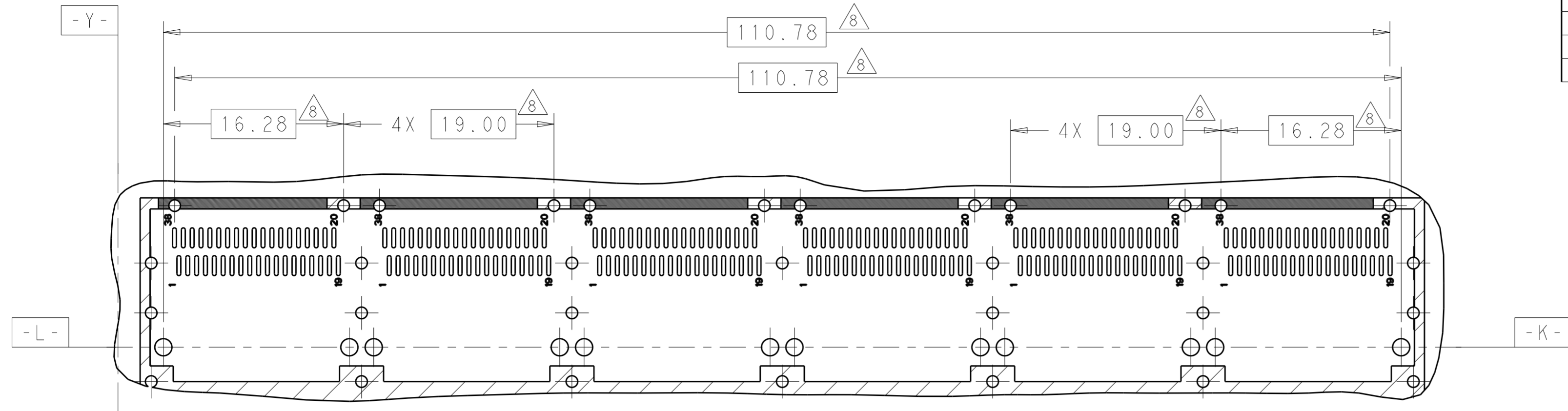


RECOMMENDED PCB LAYOUT
 BELLY TO BELLY TYPE
 PCB TOLERANCE: ±0.05
 SCALE 3:1

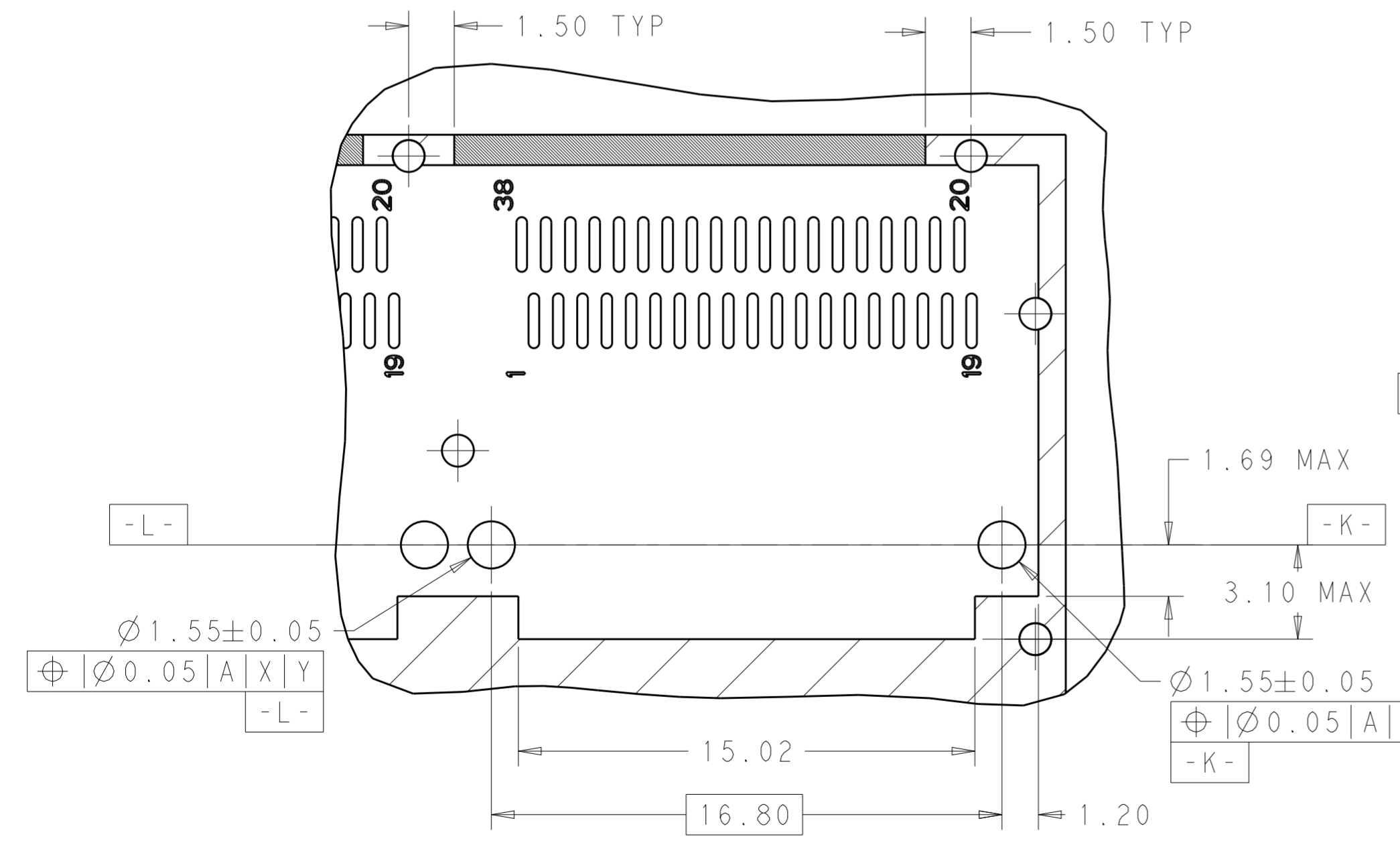
THIS DRAWING IS A CONTROLLED DOCUMENT.		DWN 25FEB2014 JASON YANG	TE Connectivity	
		CHK 05JAN2016 SEAN HAN		
DIMENSIONS: mm		APVD -	NAME CAGE ASSEMBLY, 1X6, QSFP28 WITH HEAT SINKS THRU BEZEL, EMI SPRING	
TOLERANCES UNLESS OTHERWISE SPECIFIED:		PRODUCT SPEC 108-19428	SIZE A2	
0 PLC ±		APPLICATION SPEC 114-32023	CAGE CODE 00779	DRAWING NO C-2170707
1 PLC ±0.25		WEIGHT -	RESTRICTED TO -	
2 PLC ±0.2		CUSTOMER DRAWING		
3 PLC ±		SCALE 3:1 SHEET 1 OF 5 REV A		
4 PLC ±				
ANGLES ±				
FINISH				
MATERIAL SEE NOTES				
SEE NOTES				

THIS DRAWING IS UNPUBLISHED. RELEASED FOR PUBLICATION 20
 © COPYRIGHT 20 BY - ALL RIGHTS RESERVED.

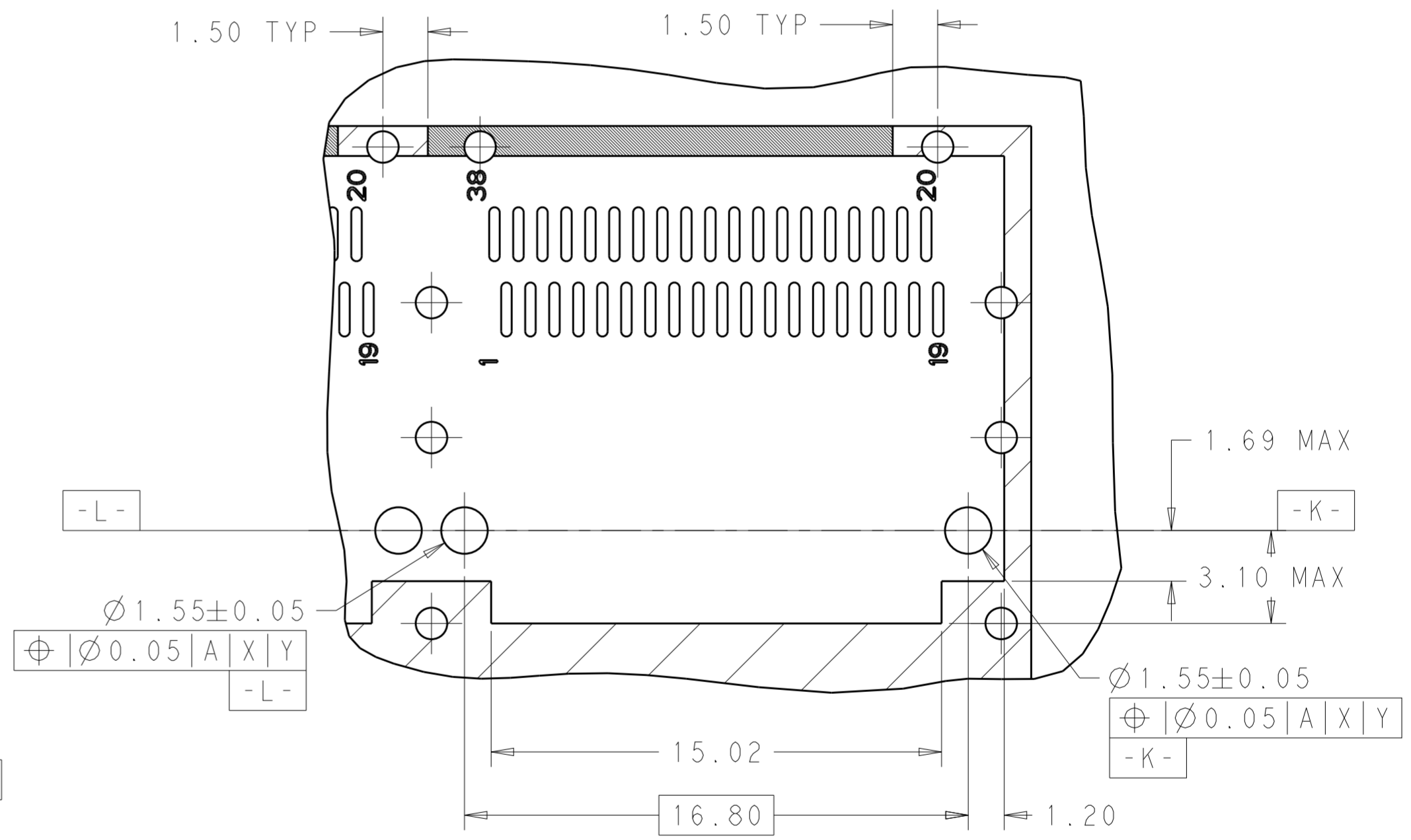
REVISIONS				
P	LTR	DESCRIPTION	DATE	APVD
-	-	SEE SHEET 1	-	-



DETAIL D
SCALE 3:1



DETAIL A
SCALE 6:1



DETAIL B
SCALE 6:1

THIS DRAWING IS A CONTROLLED DOCUMENT.		DWN JASON YANG 25FEB2014 CHK SEAN HAN 05JAN2016	TE Connectivity	
DIMENSIONS: mm		APVD -		
TOLERANCES UNLESS OTHERWISE SPECIFIED:		PRODUCT SPEC 108-19428	SIZE A2	CAGE CODE 00779
0 PLC ±		APPLICATION SPEC 114-32023	DRAWING NO C-2170707	RESTRICTED TO -
1 PLC ±0.25		WEIGHT -	SCALE 3:1 SHEET 1 OF 5 REV A	
2 PLC ±0.2		CUSTOMER DRAWING		
3 PLC ±				
4 PLC ±				
ANGLES ±				
FINISH				
MATERIAL SEE NOTES				
SEE NOTES				

单击下面可查看定价，库存，交付和生命周期等信息

[>>TE Connectivity\(泰科\)](#)