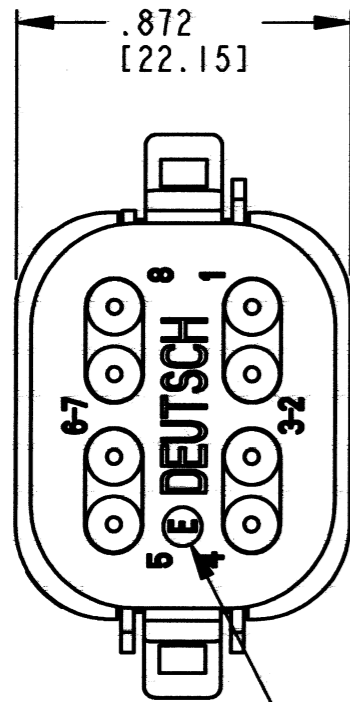
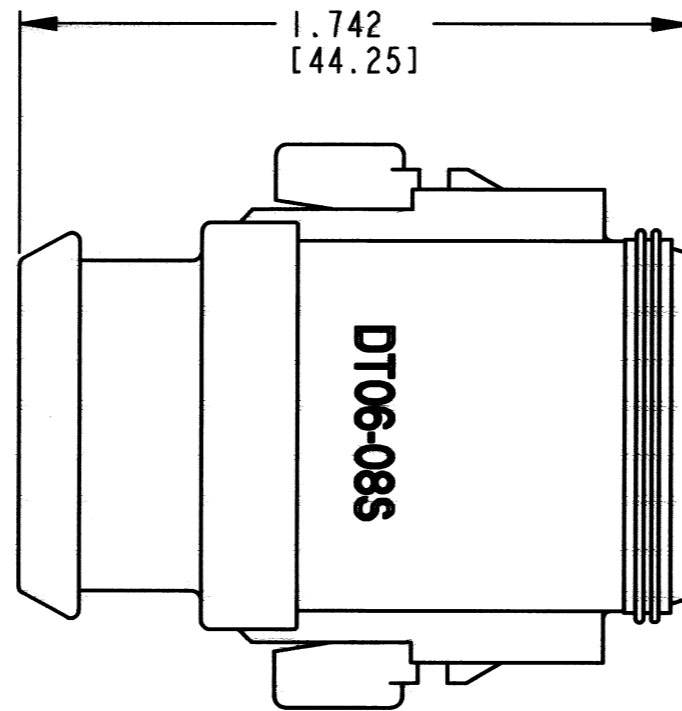


REV  
NC DT06-08S\*CE13

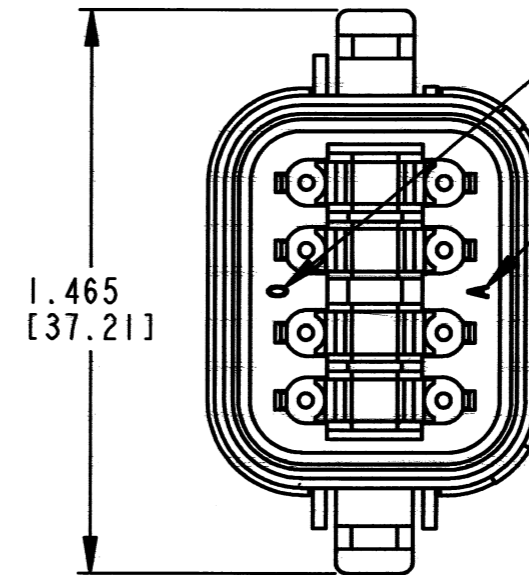
REVISIONS			
SYM	DESCRIPTION	DATE	APPROVED
NC	NEW RELEASE PER E.O. P21047	8-1-11	RDR



--E- SYMBOL DESIGNATES REDUCED WIRE SEAL



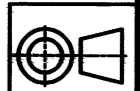
DATE CODE: YEAR TO BE REPRESENTED BY LAST NUMERICAL DIGIT. EX: 0 = 2010  
MONTH USES SEQUENTIAL ALPHA CHARACTERS. EX: A = JANUARY



5. MATERIAL: SHELL: PLASTIC; SEAL: RUBBER
4. THIS PLUG MATES WITH DT04-08P\*-\*\*\*\* RECEPTACLE. (\* = A,B,C,D, KEY ARRANGEMENT; \*\*\*\* = ALL MODIFICATIONS).
3. FOR WIRE AND CONTACT SPECIFICATION AND APPLICATION SEE ENVELOPE DRAWING 0425-015-0000 AND 0425-017-0000.
2. ALL DIMENSIONS ARE ±.025 [1.64] UNLESS OTHERWISE SPECIFIED.
1. ALL DIMENSIONS ARE IN INCHES [MILLIMETERS].

NOTES:

CONTACT SIZE	MIN. INSUL. O.D.	MAX. INSUL. O.D.	WIRE RANGE [mm <sup>2</sup> ] REF. ONLY
16	.053 [1.35]	.120 [3.05]	14-20 AWG [2.0-0.5]



SIGNATURE & DATE	
DR	R. MESSENGER 7/21/11
CHK	[Signature] 7/29/11
PE	[Signature] 7/29/11
APPD	[Signature] 7/29/11
SCALE	NONE WT

8 WAY PLUG  
E SEAL, SHRINK BOOT  
SEAL RETENTION  
DT SERIES

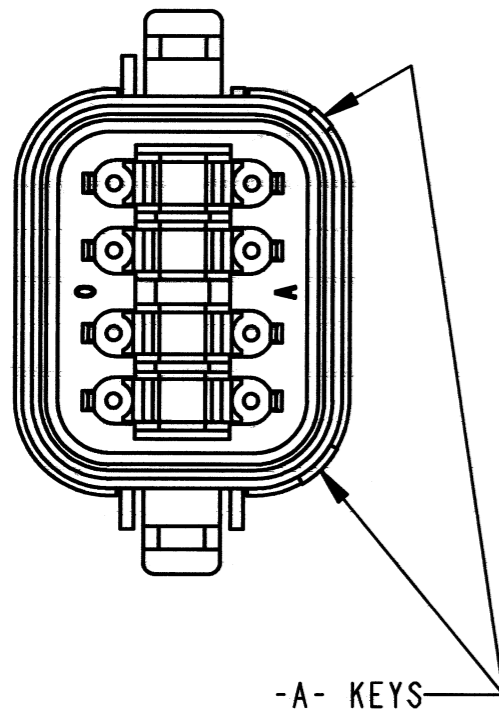
ENVELOPE

EP	MATL. CODE
3850 INDUSTRIAL AVE. HEMET, CA 92545	
<b>DEUTSCH INDUSTRIAL</b>	
B	DT06-08S*CE13
DWG SIZE	CODE 11139 SHEET 1 OF 2

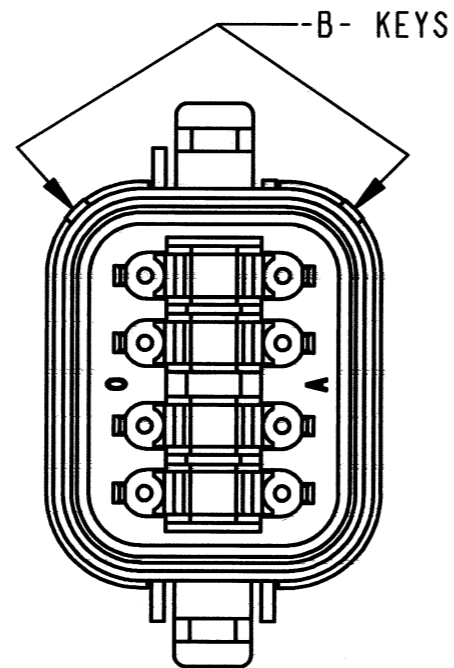
REV  
NC DT06-08S\*-CE13

REVISIONS			
SYM	DESCRIPTION	DATE	APPROVED
NC	SEE SHEET 1	8-1-11	RDR

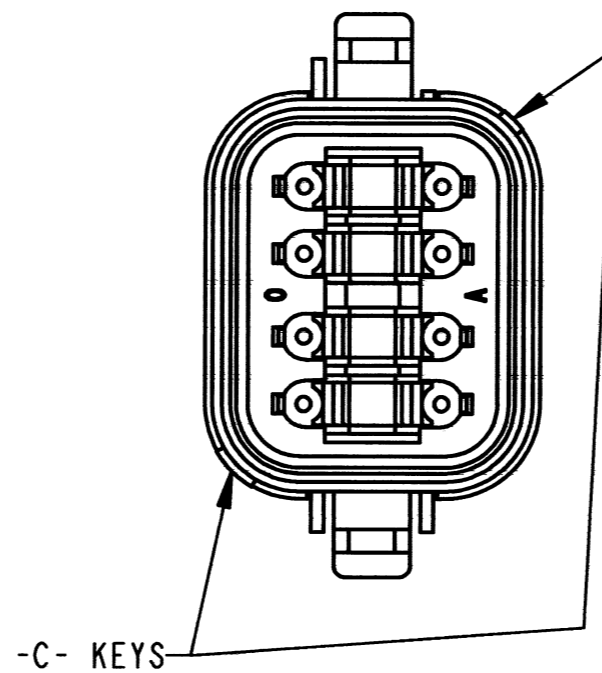
DT06-08SA-CE13  
-A- KEY  
COLOR: GRAY



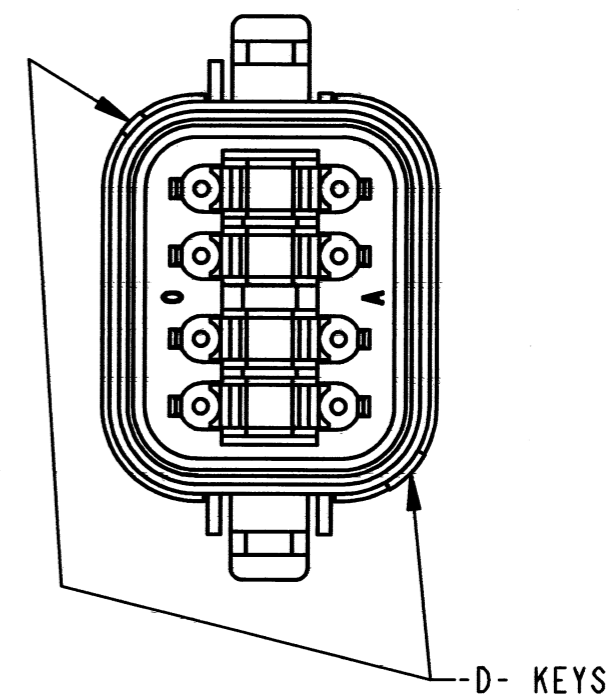
DT06-08SB-CE13  
-B- KEY  
COLOR: BLACK



DT06-08SC-CE13  
-C- KEY  
COLOR: GREEN



DT06-08SD-CE13  
-D- KEY  
COLOR: BROWN



NOTES:

SIGNATURE & DATE	
DR	R. MESSENGER 7/21/11
CHK	<i>[Signature]</i> 7/29/2011
PE	R. messenger 7/25/11
APPD	<i>[Signature]</i> 7/28/11
SCALE	NONE WT

8 WAY PLUG  
E SEAL, SHRINK BOOT  
SEAL RETENTION  
DT SERIES

ENVELOPE

EP	MATL. CODE
3850 INDUSTRIAL AVE. HEMET, CA 92545	
<b>B</b>	<b>DT06-08S*-CE13</b>
DWG SIZE	CODE 11139 SHEET 2 OF 2

单击下面可查看定价，库存，交付和生命周期等信息

[>>TE Connectivity\(泰科\)](#)