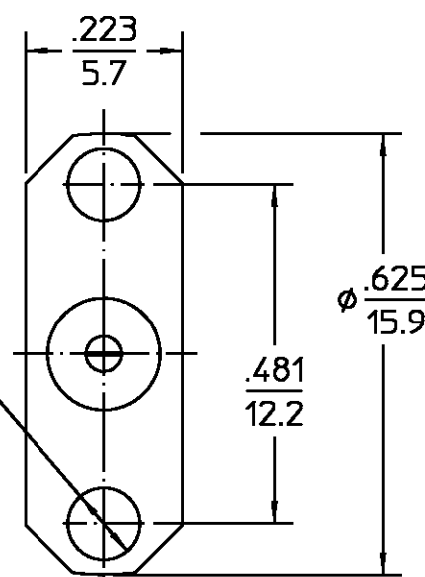


REVISIONS			
REV	DESCRIPTION	DATE	APPROVED
01_0	RELEASED	3/7/97	S. Moly



NOTES:
1. CAPTURED CENTER CONTACT

ELECTRICAL	MECHANICAL	ENVIRONMENTAL	HOUSING	DIELECTRIC	CENTER CONTACT	COMPONENT	MATERIAL	FINISH
Nominal Impedance (Ohms) 50 Frequency Range (GHz) DC to 6 Volt Rating (VRMS MAX) @ Sea Level 335 VSWR 1.40:1 Insertion Loss (dB MAX) .07√f(GHz) RF Leakage (dB MIN) -90 @ 2 to 3 GHz Corona, 70,000 Ft (VRMS MIN) 250 Dielectric Withstanding Voltage (VRMS MIN) @ Sea Level 1000 Contact Resistance (Milliohms MAX) Center Contact 3.0 Outer Contact 2.0 Cable to Housing N/A RF High Potential @ Sea Level (VRMS MIN @ 5 MHz) 670 I.R.(Megohms MIN) 5,000	Interface Dimensions MIL-STD-348A, Fig. 310.2 Recommended Mating Torque 3-5 in-lbs (0.34-0.57 Nm) Mating Characteristics: Insertion (MAX Lbs) 3.0 (1.36 Kg) Withdrawal (MIN Oz) 1.0 (28.35 g) Force to Engage and Disengage (in-Lbs MAX) 2.0 (0.23 Nm) Center Contact Captivation Axial (Lbs) 6.0 (2.7 Kg) MIN FROM INTERFACE Axial (Lbs) 4.0 (1.8 Kg) MIN FROM FLANGE Radial (in-Oz) 4.0 (0.028 Nm) Weight (Grams) TBD	Temperature Rating -65°C to +125°C Vibration MIL-STD-202, Method 204, Condition D Shock MIL-STD-202, Method 213, Condition I Thermal Shock MIL-STD-202, Method 107, Condition A Moisture Resistance MIL-STD-202, Method 106, except step 7b is omitted. No measurement at high humidity. Insulation resistance shall be at least 200 Megohms within 5 minutes after removal from humidity. .XXX = in XX.X = mm (REF)	BRASS, PER ASTM-B-16 HALF HARD OR CZ121 PER BS2874	TFE FLUOROCARBON PER ASTM-D-1457	BERYLLIUM COPPER PER ASTM-B-196 OR ASTM-B-197 ALLOY C17300, CONDITION H			WHITE BRONZE PLATE
								N/A
								GOLD PLATE

UNLESS OTHERWISE SPECIFIED DIMENSIONS ARE IN INCHES TOLERANCE ON

FRAC.	DEC.	ANGLES
±1/64	±.005	± 1°

These drawings and specifications are the property of M/A-COM Interconnect Division and shall not be reproduced or copied or used in whole or in part as the basis for the manufacture or sale of item(s) without written permission.

DRAWN BY S. Moly DATE 01/30/97

CHECKED BY _____

APPD BY _____

USE ASS'Y PROCEDURE

NO. AP. N/A

AMP Incorporated
140 Fourth Avenue
Waltham, MA 02451-7599

AMP

TITLE SMA.COM 2 HOLE FLANGE MOUNT JACK RECEPTACLE, TAB TERMINAL

SIZE B	CODE IDENT NO. 26805	2252-1858-36	REV 01_0
SCALE 4:1			SHEET 1 OF 1

CUSTOMER DRAWING

AMP PART # 1086491-1
SHEET 1 OF 1 REV A

单击下面可查看定价，库存，交付和生命周期等信息

[>>TE Connectivity\(泰科\)](#)