

THIS DRAWING IS UNPUBLISHED.

RELEASED FOR PUBLICATION

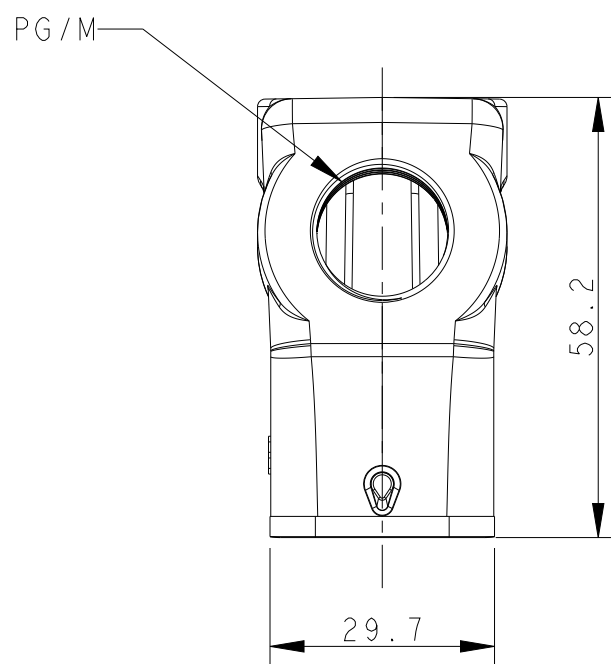
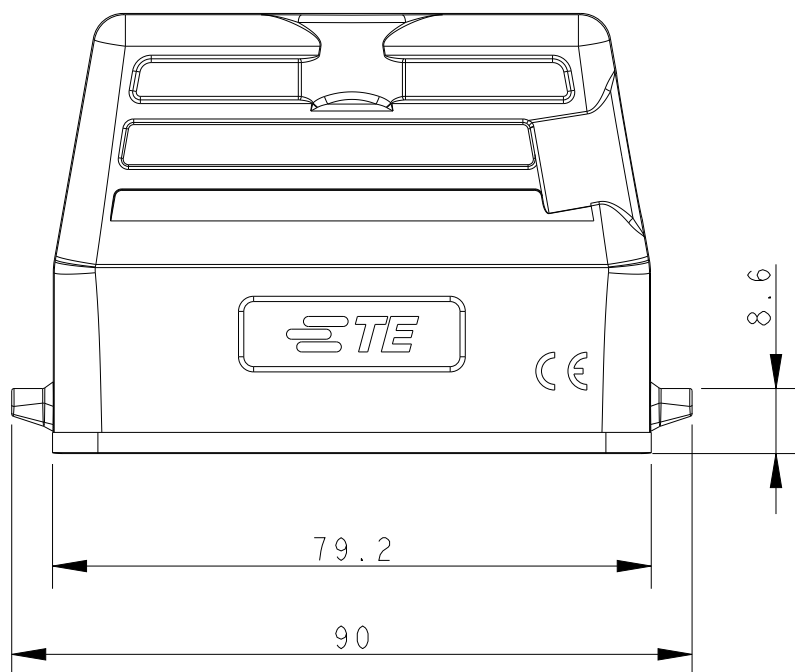
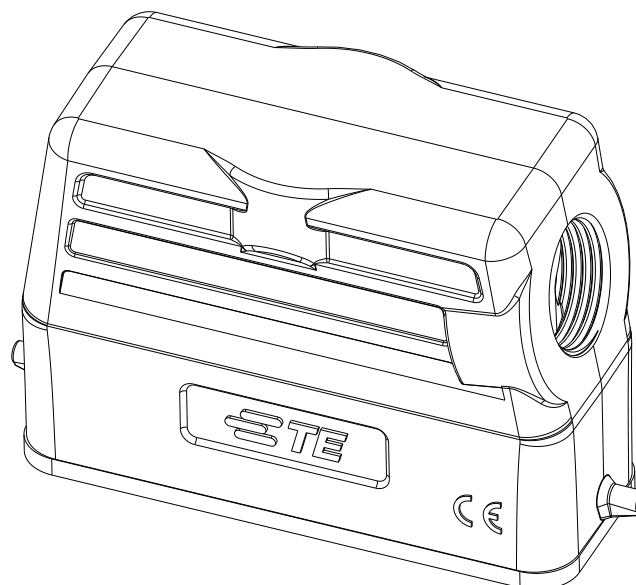
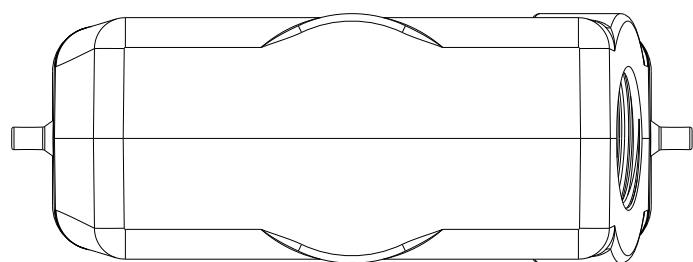
20

© COPYRIGHT 20 BY -

ALL RIGHTS RESERVED.

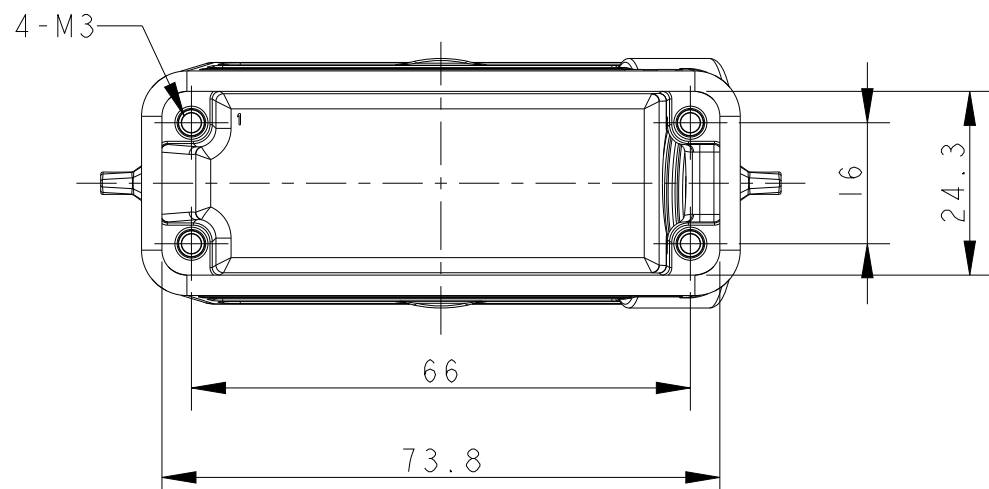
REVISIONS

P	LTR	DESCRIPTION	DATE	DWN	APVD
	A	INITIAL RELEASE	07MAY2015	DL	CW
	B	ECR-20-009510	28DEC2020	BS	CW
	B1	ECR-21-105988	28JUL2021	BS	CW



NOTES:
 1. TECHNICAL CHARACTERISTICS:
 BODY MATERIAL: DIE CAST ALUMINIUM ALLOY
 SURFACE TREATMENT: POWDER-COATED, GRAY
 DEGREE OF PROTECTION: IP65 (MATED)

注释:
 1. 技术参数:
 主体材料: 铝合金
 表面处理: 粉末喷涂, 灰色
 防护等级: IP65(配合)



T1319160111-000	H16A-TS-PG11	PG11
T1319160116-000	H16A-TS-PG16	PG16
T1319160120-000	H16A-TS-M20	M20
T1319160121-000	H16A-TS-PG21	PG21
T1319160125-000	H16A-TS-M25	M25
ASSEMBLY PART NUMBER	ASSEMBLY PART DESCRIPTION	PG/M

THIS DRAWING IS A CONTROLLED DOCUMENT.		DWN	DAVID LI	07MAY2015	STE TE Connectivity	NAME H16A-TS-PG/M
DIMENSIONS: mm		CHK	CHRIS WANG	07MAY2015		
TOLERANCES UNLESS OTHERWISE SPECIFIED:		APVD	XU XIANG	07MAY2015		
0 PLC ±- 1 PLC ±- 2 PLC ±- 3 PLC ±- 4 PLC ±- ANGLES ±-		PRODUCT SPEC	108-137010			
MATERIAL		APPLICATION SPEC	114-137010		SIZE	A3
		WEIGHT	-		CAGE CODE	-
		CUSTOMER DRAWING			DRAWING NO	©-T13191601XX000
		SCALE	1:1		SHEET	1 OF 1
		REV	B1		RESTRICTED TO	

单击下面可查看定价，库存，交付和生命周期等信息

[>>TE Connectivity\(泰科\)](#)