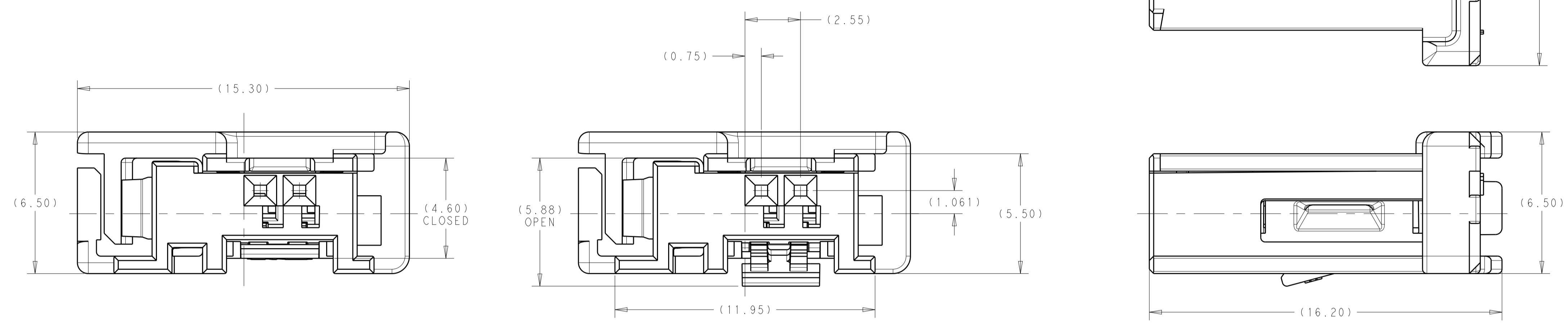


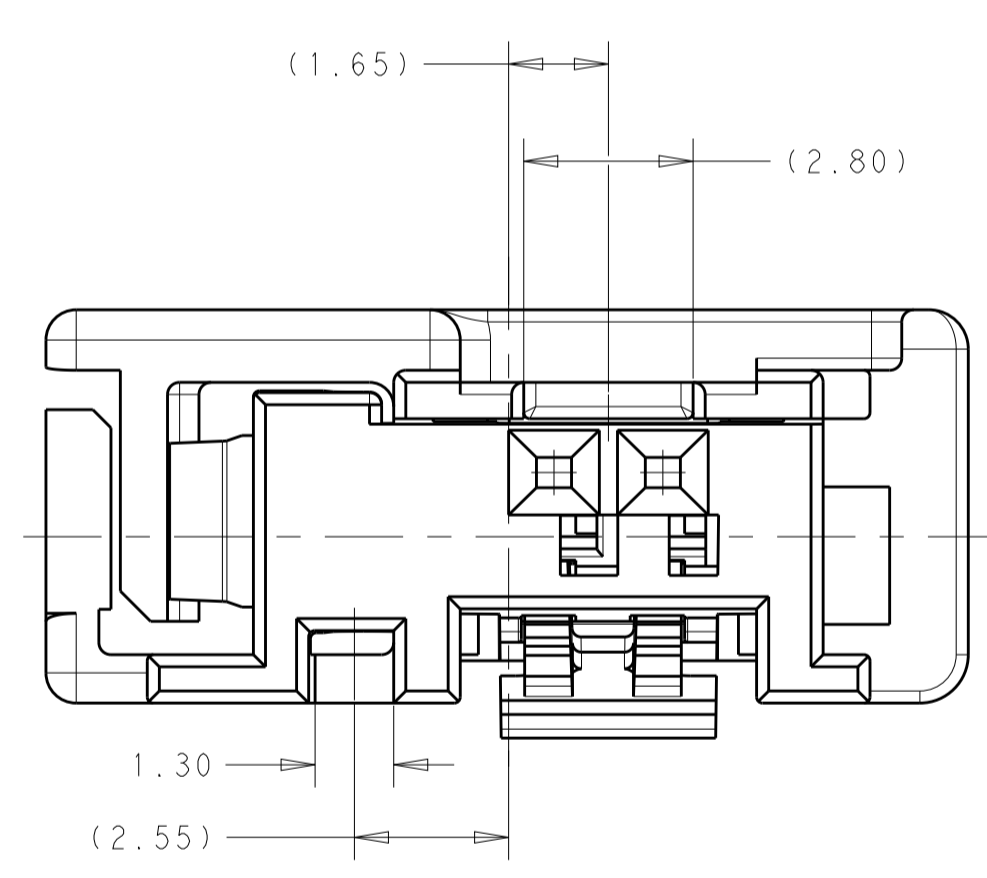
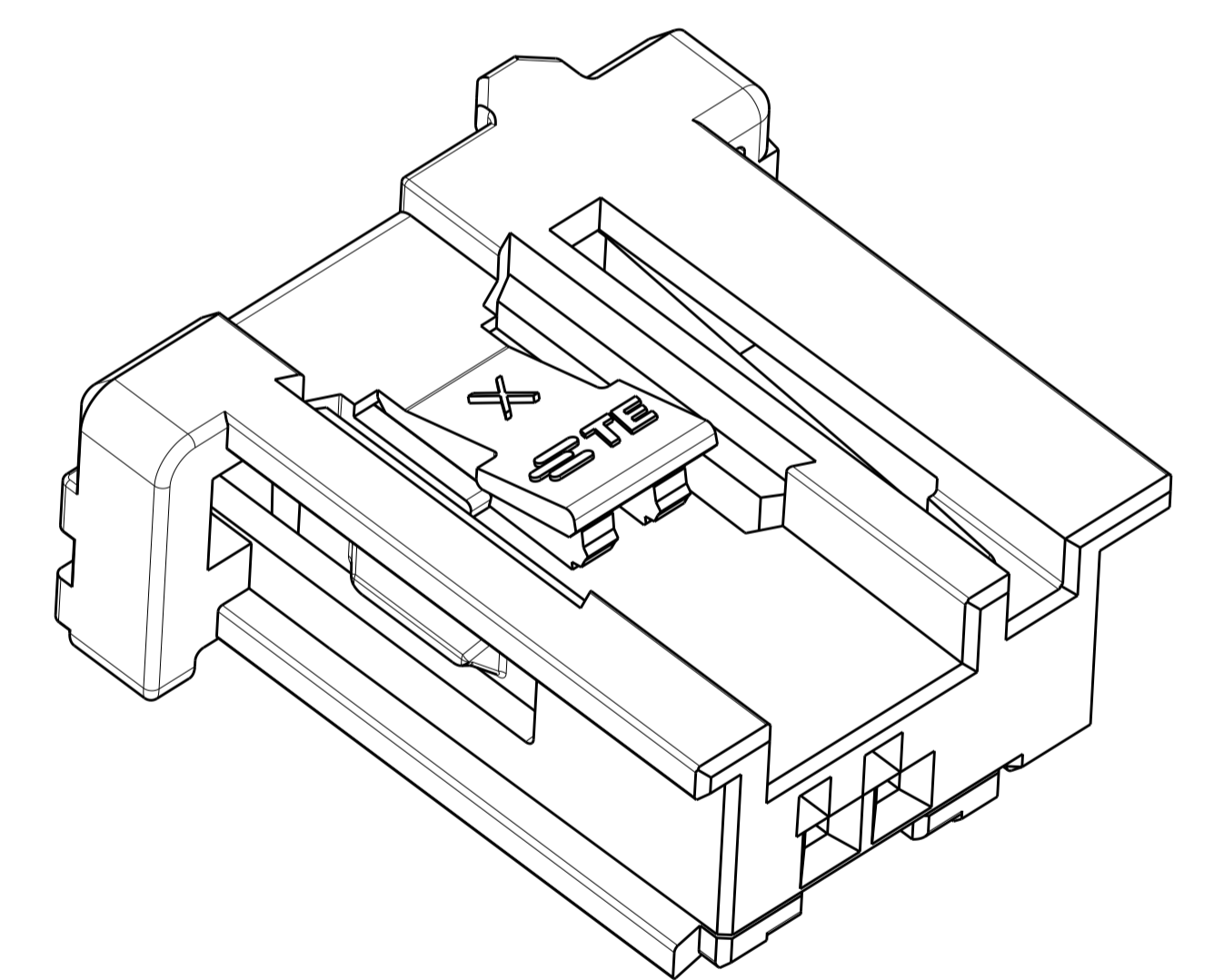
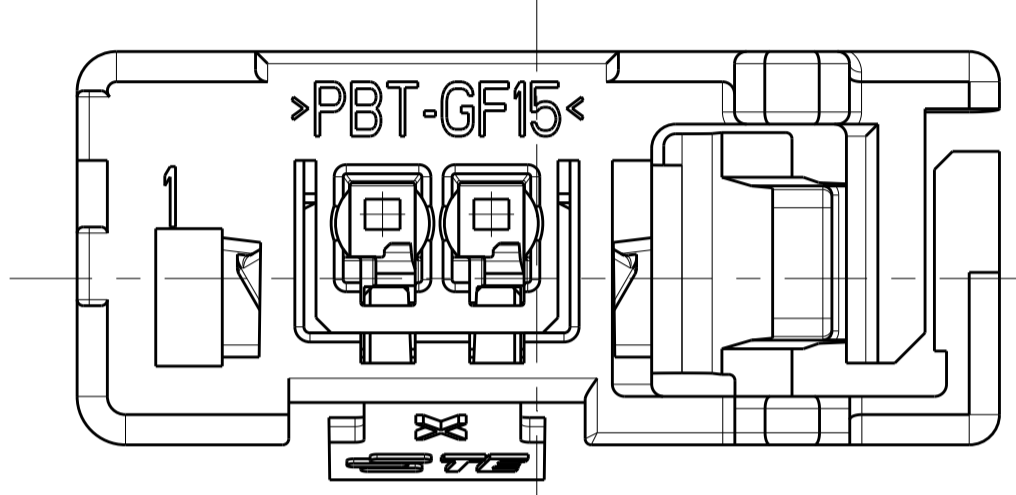
REVISIONS					
P.	LTN	DESCRIPTION	DATE	DWN	APVD
1		INITIAL DRAFT	24JUL2018	AK	CJ
A		RELEASE PER ECO-18-012975	15AUG2018	CJ	CJ
A1		REV PER ECO-18-014661	18SEP2018	MK	TO

- 2291329-1 SHOWN IN GENERAL VIEW.
- MATERIAL: PBT, 15% GLASS FILLED
- THIS CONNECTOR HAS BEEN VALIDATED TO USCAR-2 REV. 6 TO ENVIRONMENTAL CLASSIFICATION LEVELS T2, V1, AND S1
- IN CASE OF ACCIDENTAL OR PARTIAL ISL CLOSURE, PLEASE REFERENCE TE INSTRUCTION SHEET 408-32257 FOR INSTRUCTION ON RESETTING THE ISL

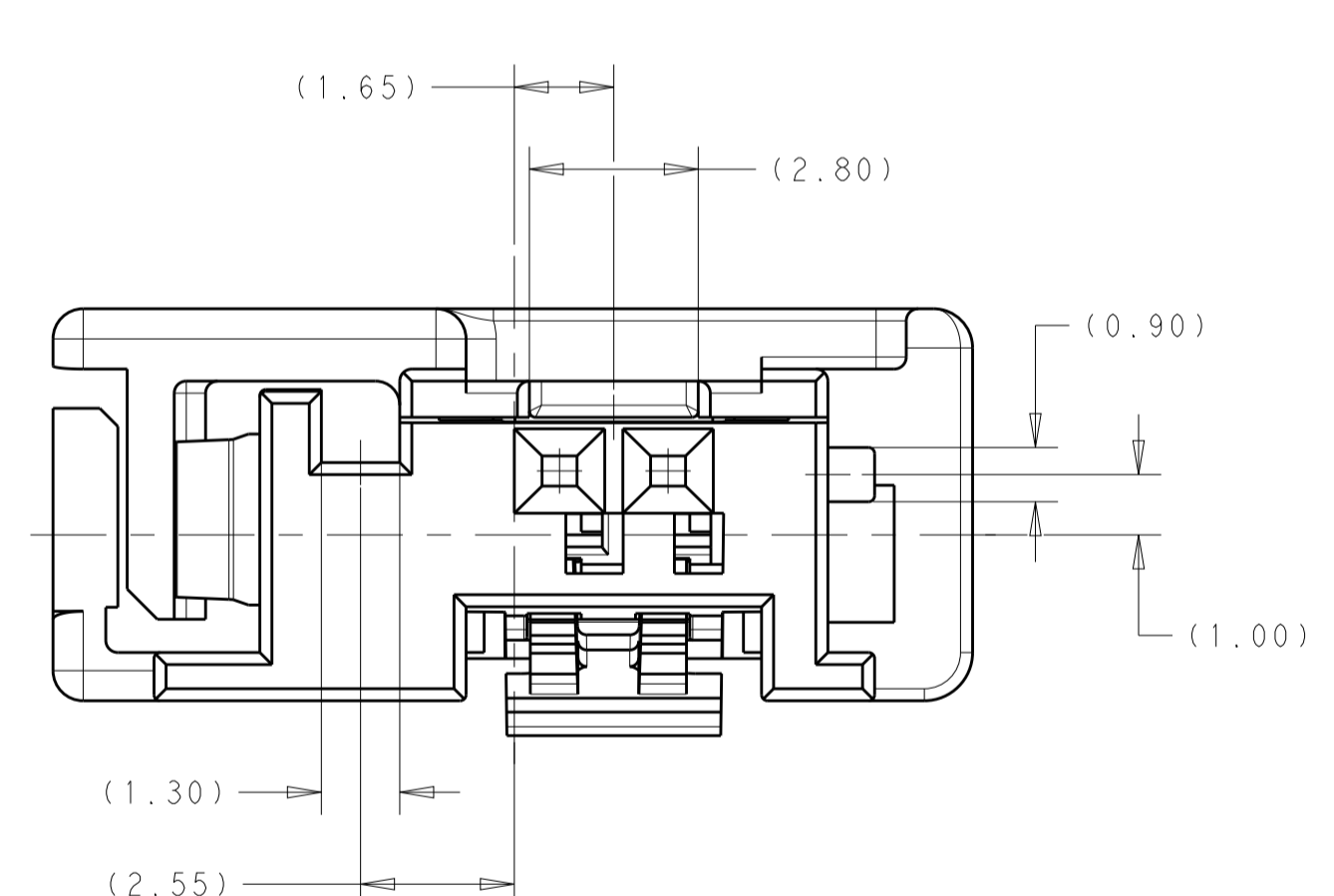


SECONDARY LOCK SHOWN IN CLOSED CONDITION

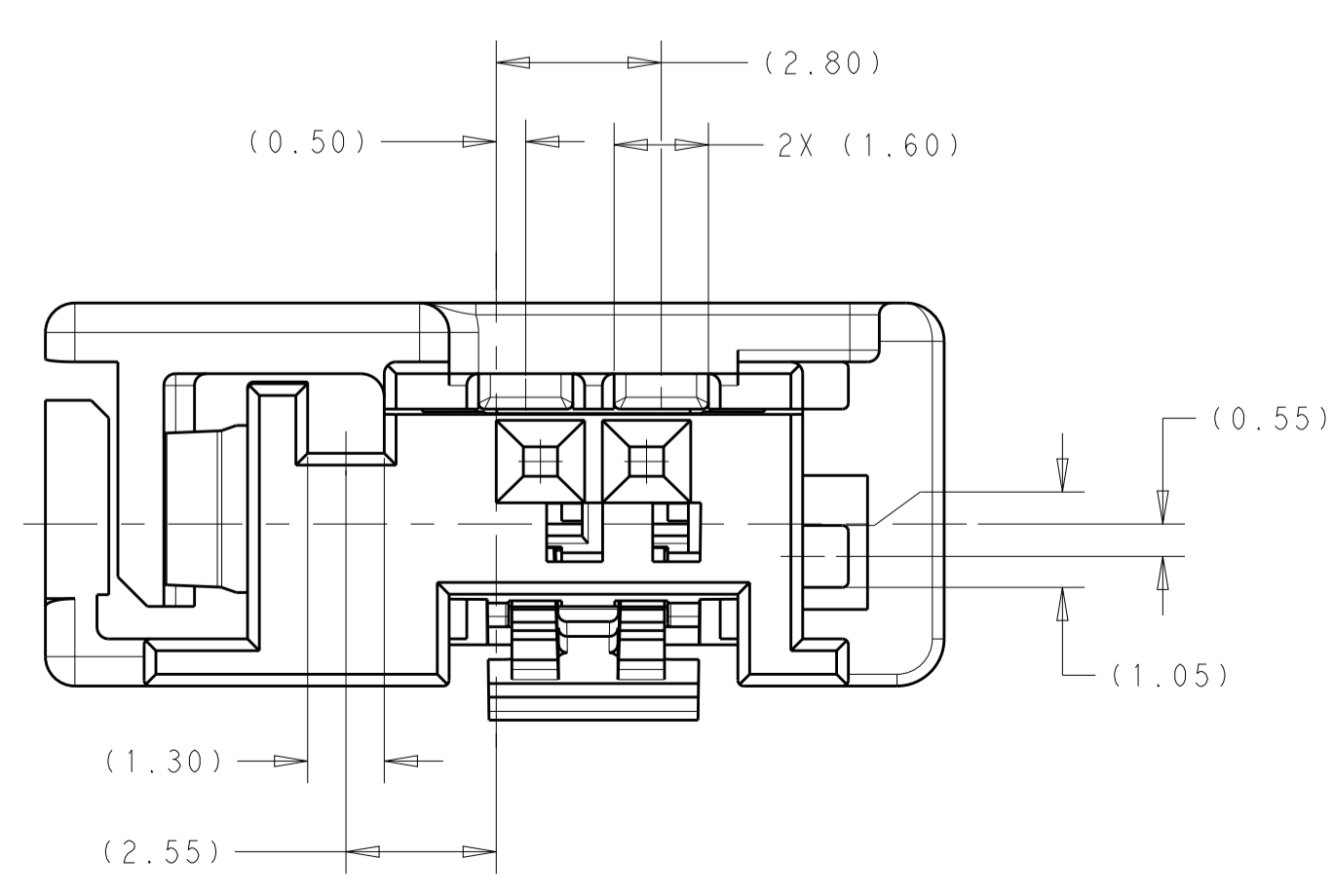
SECONDARY LOCK SHOWN IN OPEN CONDITION



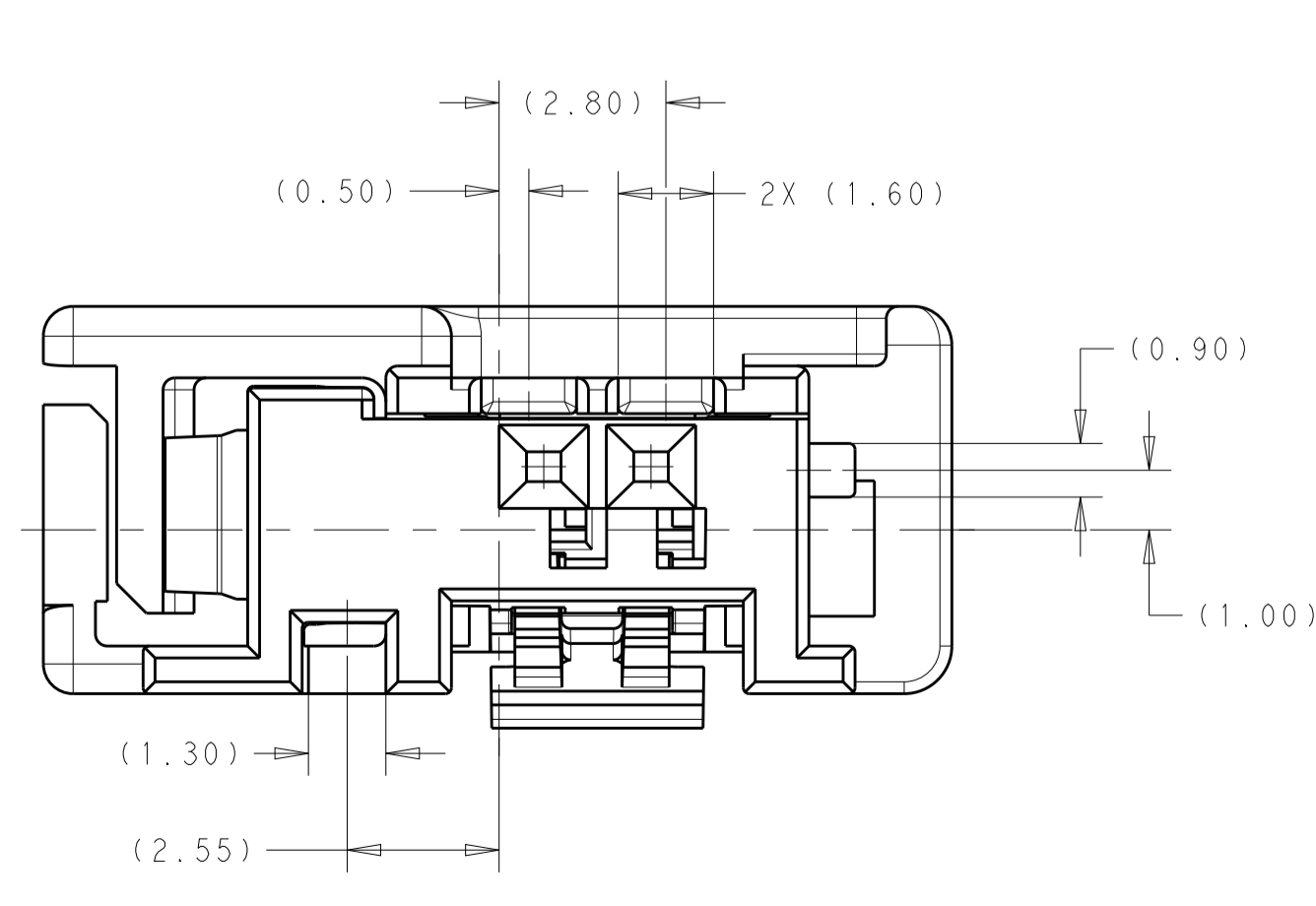
KEY CODE A



KEY CODE B



KEY CODE C



KEY CODE D

BLUE	KEY CODE D	2291329-4
GRAY	KEY CODE C	2291329-3
NATURAL (IVORY)	KEY CODE B	2291329-2
BLACK	KEY CODE A	2291329-1
COLOR	KEY CODE	PART NUMBER

THIS DRAWING IS A CONTROLLED DOCUMENT.		DWN A. KUMAR 24JUL2018	TE Connectivity
DIMENSIONS: mm		CHK C. KUMAR 26JUL2018	
TOLERANCES UNLESS OTHERWISE SPECIFIED:		APVD C. JACINTO 28JUL2018	NAME PLUG HOUSING, 2 POSN, 1.80 CENTERLINE, UNSEALED, GENERATION 50
0 PLC ±	1 PLC ±0.5	PRODUCT SPEC	SIZE A1
2 PLC ±	3 PLC ±	APPLICATION SPEC	RESTRICTED TO
4 PLC ±	ANGLES ±	WEIGHT 0.78g	SCALE 8:1
MATERIAL PBT		FINISH	CAGE CODE C=2291329
CUSTOMER DRAWING		SHEET 1 OF 1	REV A1

单击下面可查看定价，库存，交付和生命周期等信息

[>>TE Connectivity\(泰科\)](#)