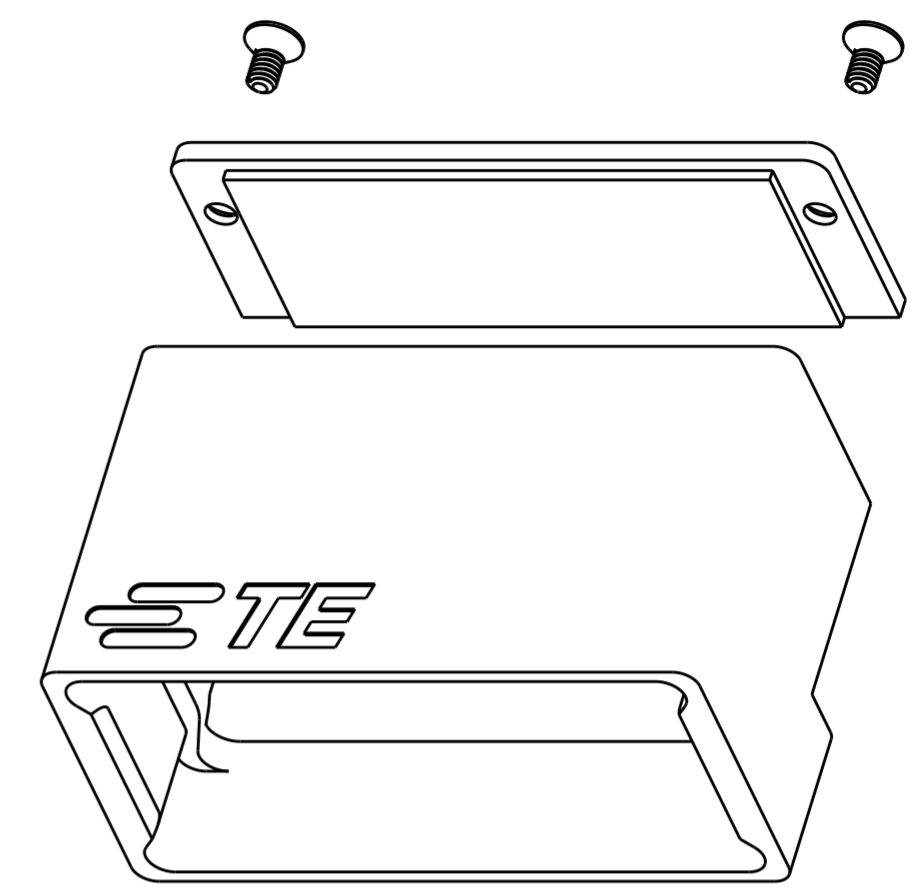
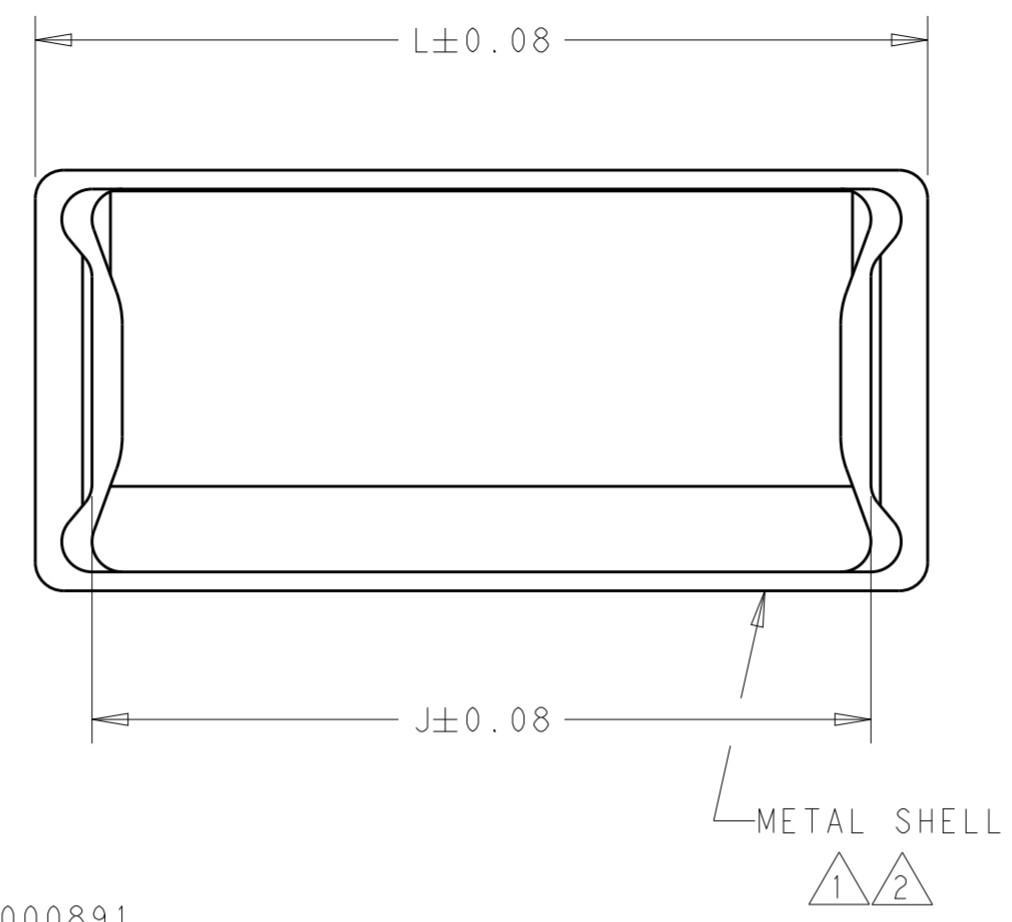
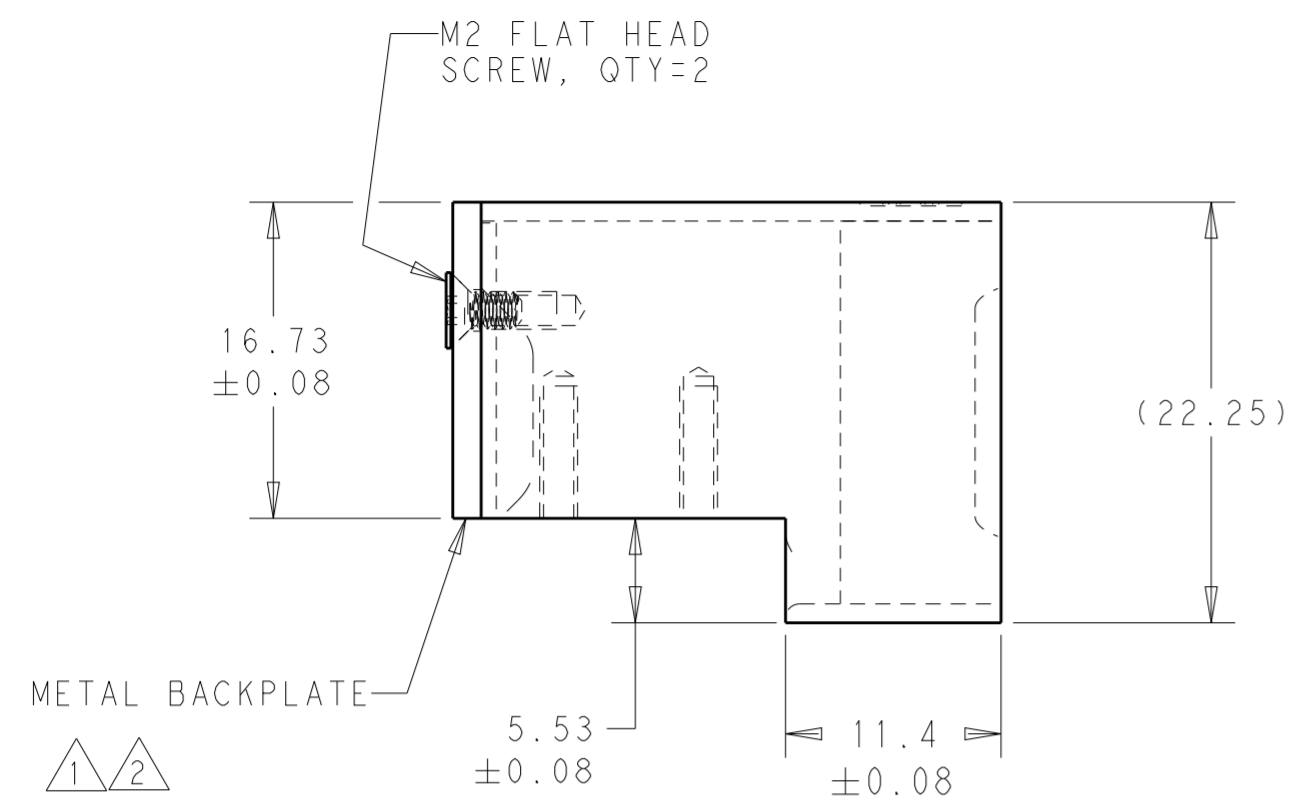
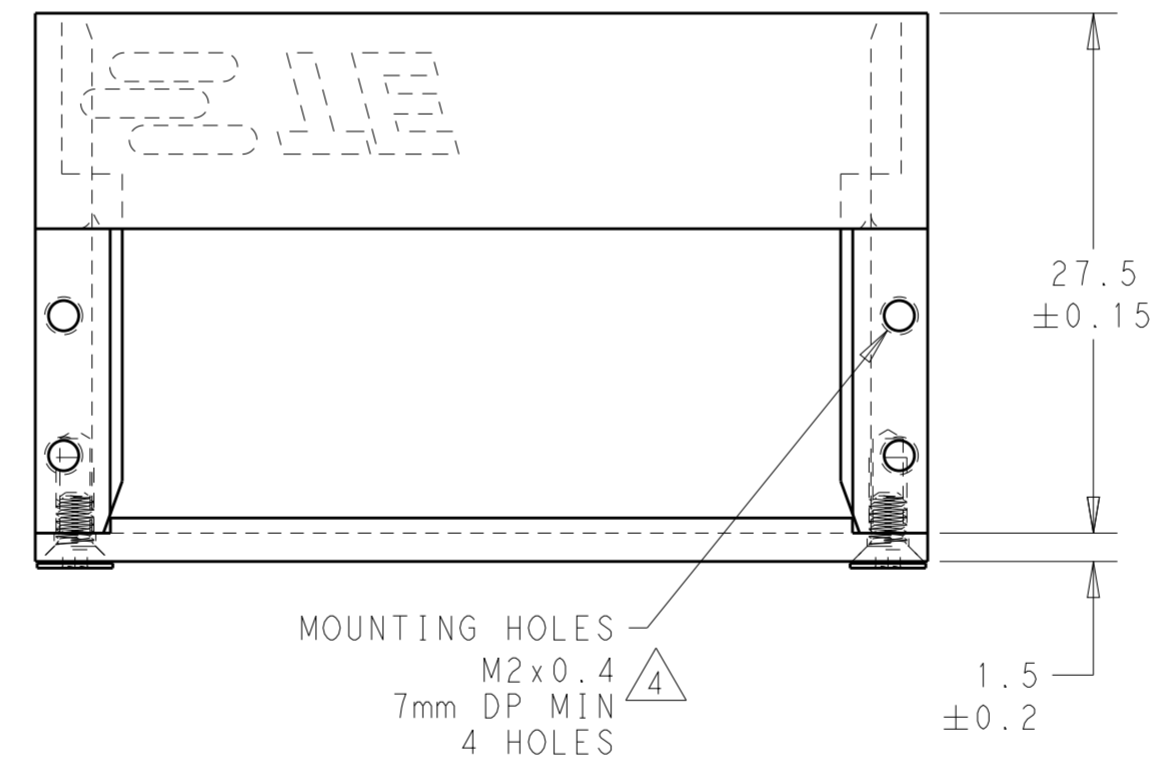
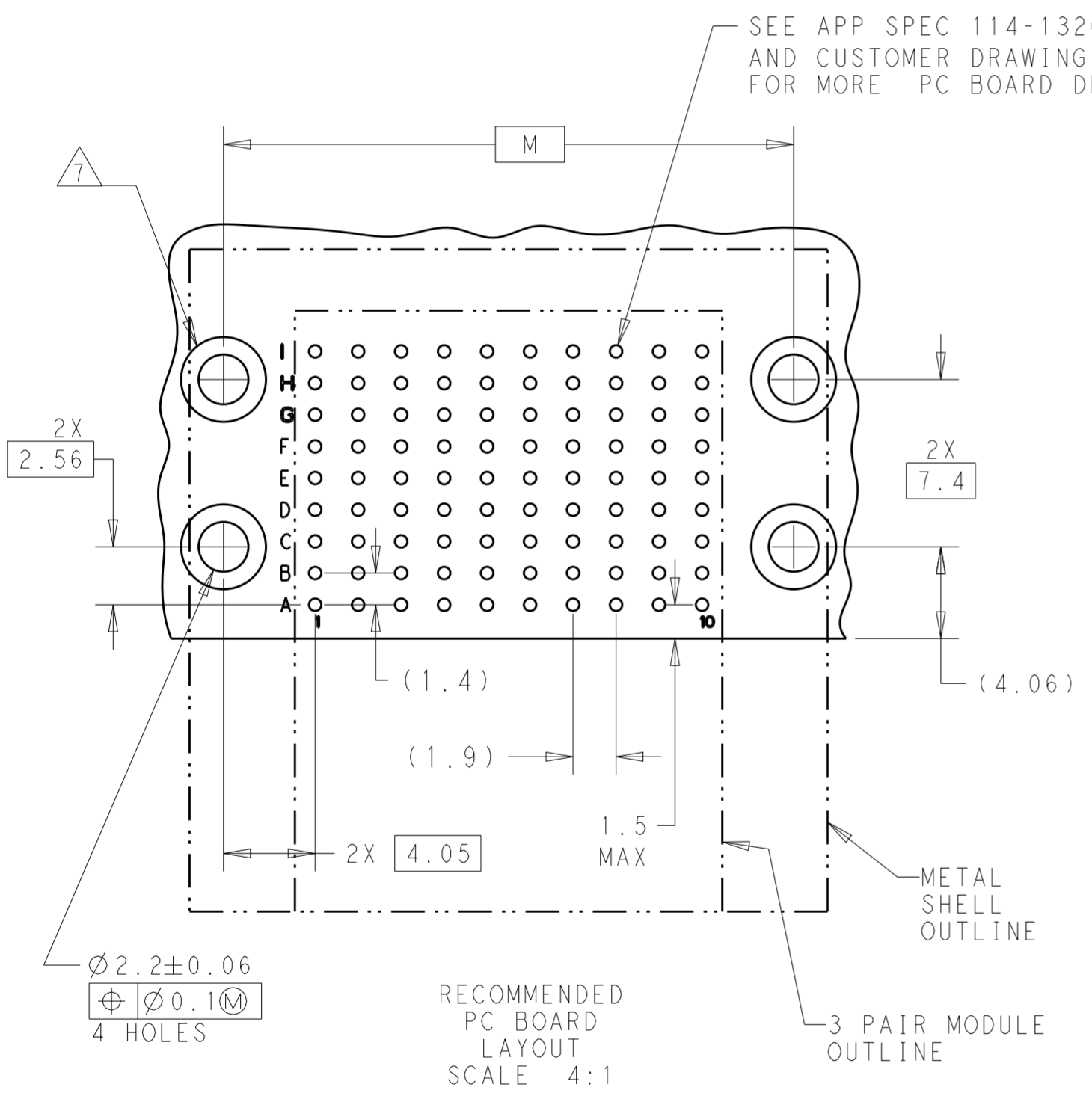


THIS DRAWING IS UNPUBLISHED. RELEASED FOR PUBLICATION 20  
 © COPYRIGHT 20 BY - ALL RIGHTS RESERVED.

REVISIONS						
LOC	DIST	P	LTR	DESCRIPTION	DATE	APVD
-	-	4		ADDED WEIGHTS, ANNULAR RINGS, AND NOTE 7	07AUG2012	NPR
		5		ADDED DIMENSION	30AUG2012	NPR
		6		UPDATED TO SHOW LOGO	03JAN2013	NPR
		7		CHANGED PCB LAYOUT DIM SCHEME	13MAR2013	NPR



SCALE 2:1



- 1 MATERIAL: ALUMINUM, 6061, TEMPER T6
- 2 FINISH: TRIVALENT CHROMATE CONVERSION COATING PER MIL-DTL-5541, TYPE II, CLASS 3.
- 3. FOR USE WITH 3-PAIR FORTIS Zd CENTER MODULES 2000891, 2000903, 2102315, 2102316 ONLY (NOT INCLUDED).
- 4 PCB MOUNTING HARDWARE NOT INCLUDED. SCREW LENGTH DEPENDENT ON PCB THICKNESS
- 5. INSTRUCTION SHEET: 408-32056
- 6. PARTS UNASSEMBLED, SHOWN ASSEMBLED FOR ILLUSTRATION ONLY
- 7 ANNULAR RINGS PLATED AROUND ALL 4 MOUNTING HOLE LOCATIONS ON TOP AND BOTTOM OF PCB

120.2	123.2	117.2	35.3	60	2102077-6
101.2	104.2	98.2	31.2	50	2102077-5
82.2	85.2	79.2	27.1	40	2102077-4
63.2	66.2	60.2	23.0	30	2102077-3
44.2	47.2	41.2	19.0	20	2102077-2
25.2	28.2	22.2	14.9	10	2102077-1
M	L	J	WEIGHT (g)	NUMBER OF COLUMNS	PART NUMBER

THIS PRINT IS  
**PRELIMINARY**  
 UNQUALIFIED PRODUCT  
 CONTACT PRODUCT ENGINEERING  
 BEFORE USING THIS PRINT

THIS DRAWING IS A CONTROLLED DOCUMENT.

DIMENSIONS: mm

TOLERANCES UNLESS OTHERWISE SPECIFIED:

0 PLC	±
1 PLC	±0.5
2 PLC	±0.13
3 PLC	±0.013
4 PLC	±0.0001
ANGLES	±2°

MATERIAL: SEE CALLOUTS

FINISH: SEE CALLOUTS

DWN: B. D. YOHN 10MAR2011

CHK: B. D. YOHN 10MAR2011

APVD: M. R. McALONIS 10MAR2011

PRODUCT SPEC: 108-2409

APPLICATION SPEC: 114-13267

WEIGHT: TABLE

Customer Drawing

SCALE 3:1

SHEET 1 OF 1

REV 7

STE TE Connectivity

NAME: KIT, FORTIS Zd, 3-PAIR, METAL SHELL AND BACKPLATE

SIZE: A2

CAGE CODE: 00779

DRAWING NO: C-2102077

RESTRICTED TO: -

单击下面可查看定价，库存，交付和生命周期等信息

[>>TE Connectivity\(泰科\)](#)