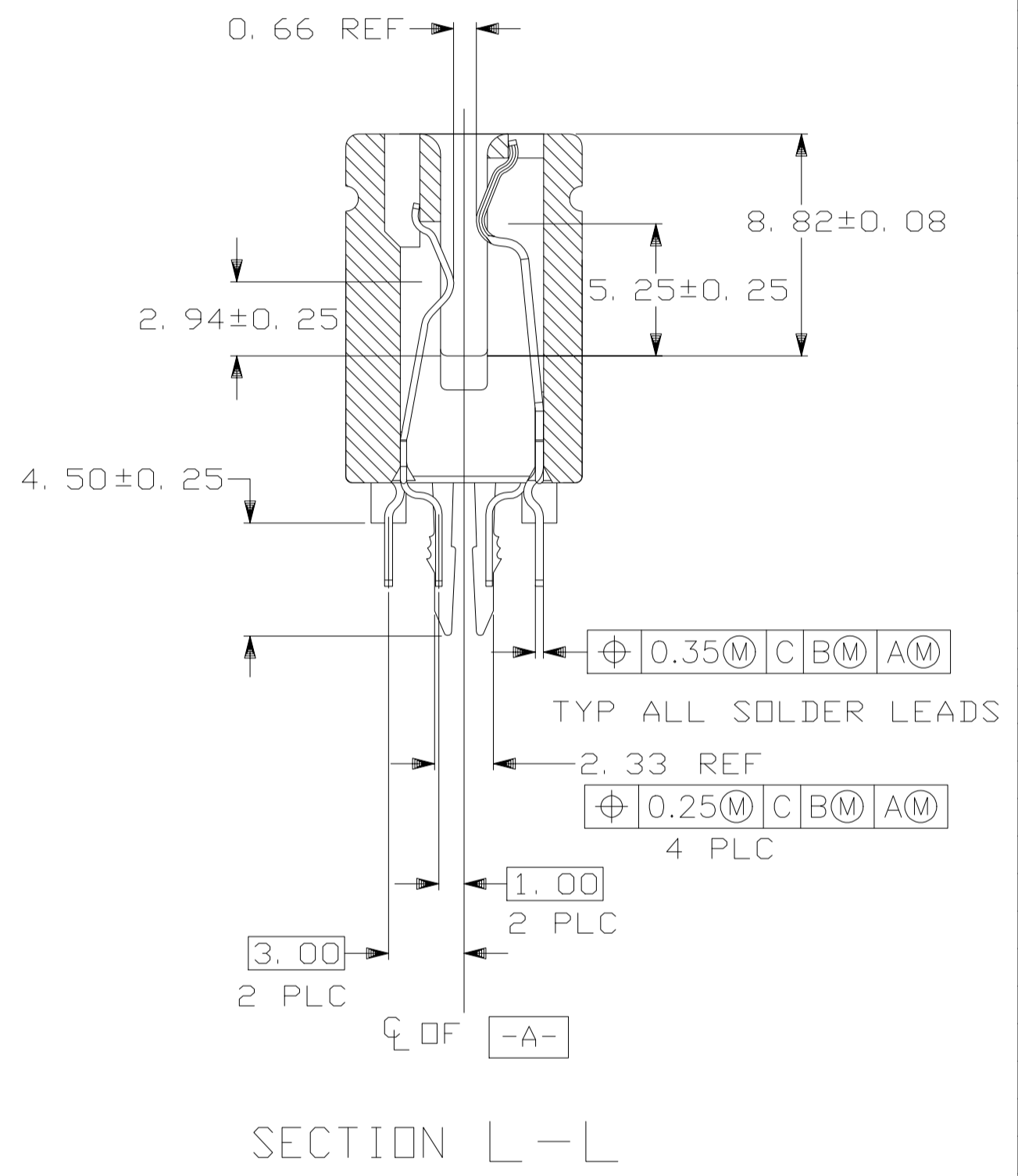
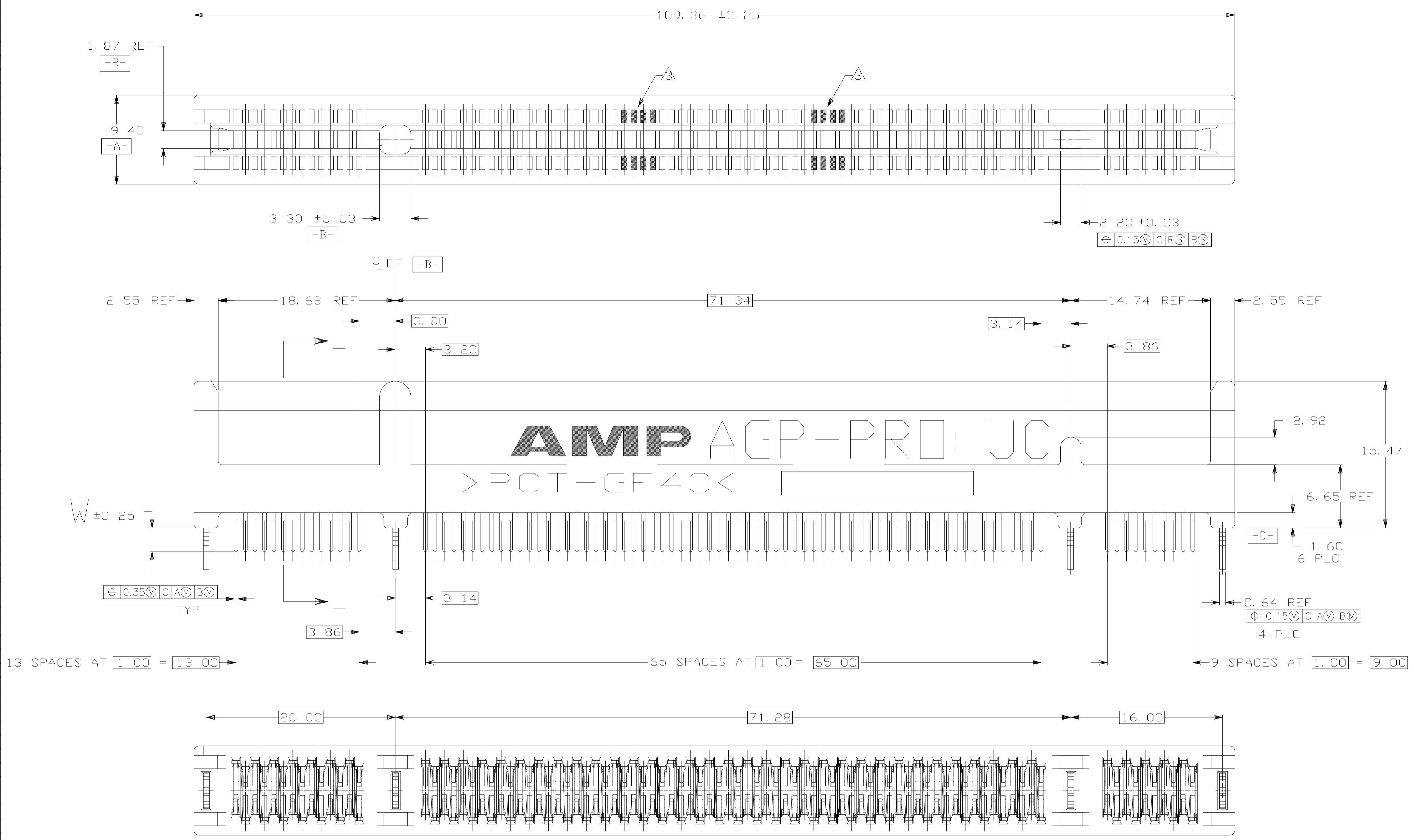


LOC		DIST		REVISIONS			
P	LTR	DESCRIPTION	DATE	DRN	APVD		
A		RELEASED ECO-09-025010	06NOV09	F.L	S.Y		
AI		OBSOLETE THE PART 5145409-2	28OCT21	MLU	SH		



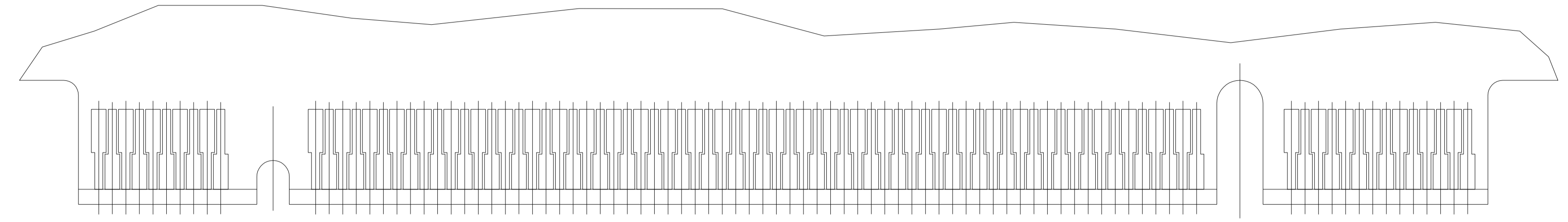
- △ MATERIAL: HOUSING, THERMOPLASTIC, COLOR: BROWN.  
CONTACTS, PHOSPHOR BRONZE.  
FASTENERS, BRASS.
- △ FINISH: CONTACTS, 1.27 MIN. MICROMETERS NICKEL ALL OVER,  
0.38 MIN. MICROMETERS GOLD OVER NICKEL IN CONTACT AREA,  
2.54 MIN MICROMETERS TIN OVER NICKEL ON SOLDER LEADS.
- △ SHADED CONTACT LOCATIONS ARE AT RISK OF DAMAGE DURING MATING AND UNMATING WITH AGP-1X AND AGP-2X/4X CIRCUITS.
- △ FINISH: FASTENERS, 1.27 MIN. MICROMETERS NICKEL ALL OVER,  
3.81 MIN MICROMETERS BRIGHT TIN OVER NICKEL.
- △ FINISH: CONTACTS, 1.27 MIN. MICROMETERS NICKEL ALL OVER,  
0.0254-0.0762 MICROMETERS GOLD OVER NICKEL IN CONTACT AREA.  
2.54 MIN. MICROMETERS TIN OVER NICKEL ON SOLDER TAILS.

<b>OBSOLETE</b>	△ △	3.18	5145409-6
<b>OBSOLETE</b>	△ △	2.54	5145409-5
<b>OBSOLETE</b>	△ △	3.18	5145409-3
<b>OBSOLETE</b>	△ △	2.54	5145409-2
<b>OBSOLETE</b>	△ △	2.16	5145409-1
	PLATING	W	PART NO

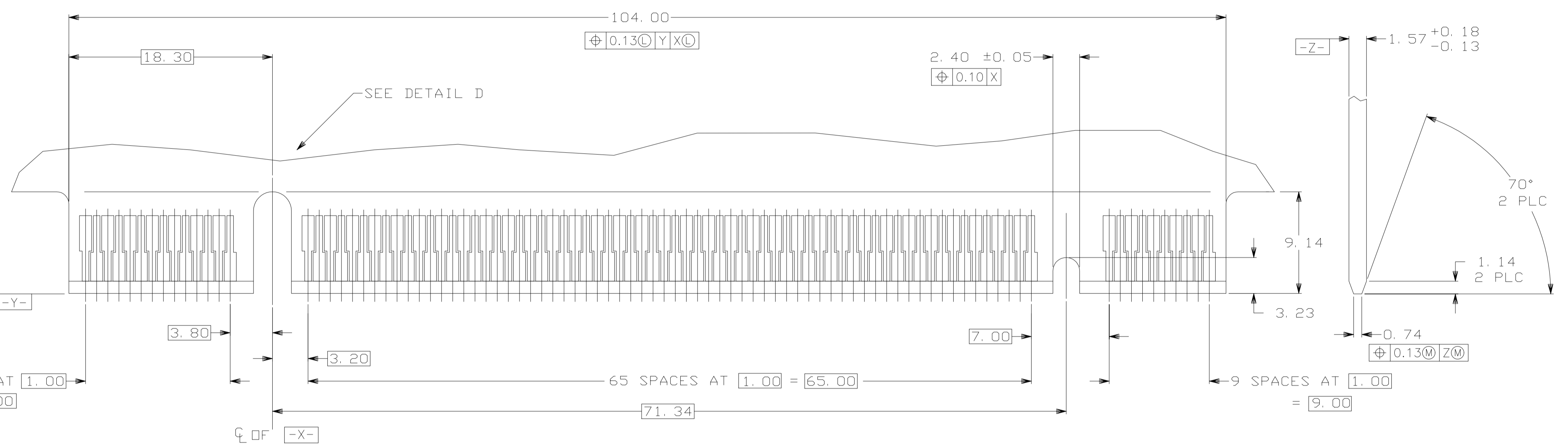
THIS DRAWING IS A CONTROLLED DOCUMENT.

DIMENSIONS:	TOLERANCES UNLESS OTHERWISE SPECIFIED:	DRN Francis Lee 06NOV09	Tyco Electronics Corporation Shanghai, P.R.China, 200233
mm	0 PLC ± - 1 PLC ± - 2 PLC ± 0.13 3 PLC ± - 4 PLC ± - ANGLES ± °	CHK Martin Li 06NOV09	
MATERIAL	FINISH	APVD Steven Yao 06NOV09	NAME
		APPLICATION SPEC	CONNECTOR ASSEMBLY, STANDARD EDGE, 1mm, AGP-PRO:UC, 180 POSITION
		WEIGHT	SIZE CAGE CODE DRAWING NO RESTRICTED TO
			A1 00779 ©=5145409 -
		CUSTOMER DRAWING	SCALE 1:1 SHEET 1 of 2 REV A1

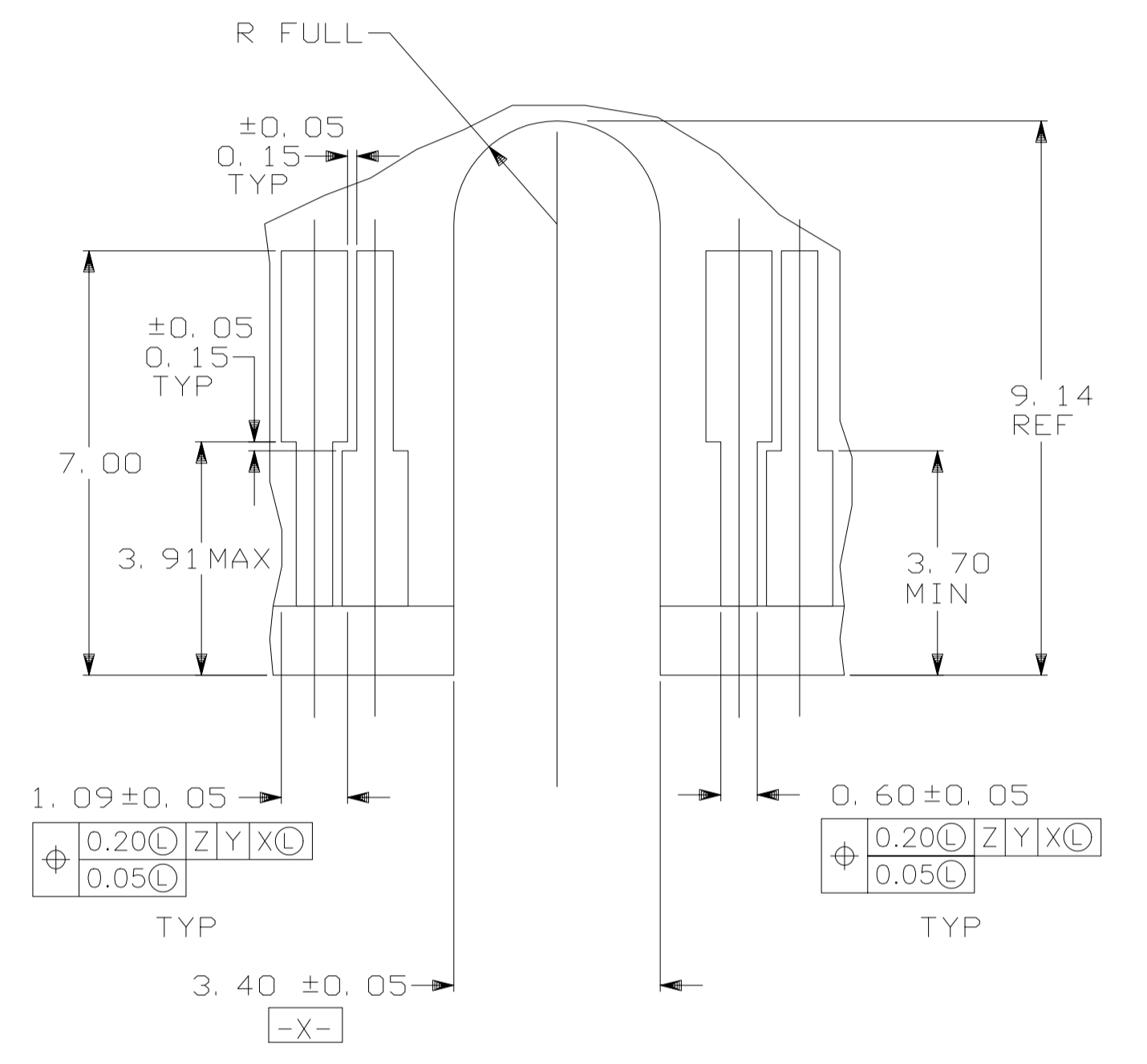
LOC		DIST		REVISIONS			
P	LTR	DESCRIPTION	DATE	DRN	APVD		
-	-	SEE SHEET 1	-	-	-	-	-



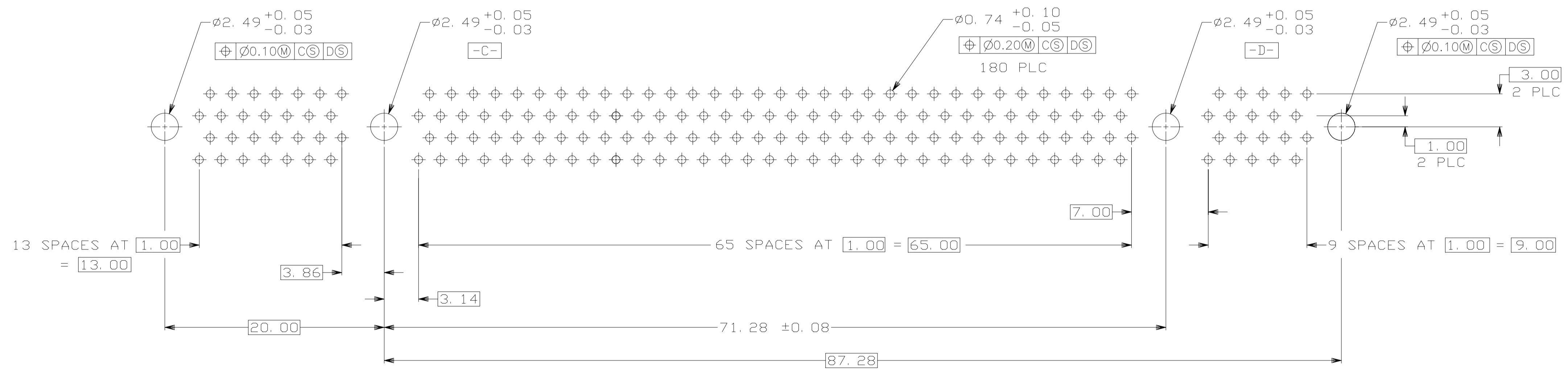
RECOMMENDED CONNECTOR MATING PAD PATTERN  
 (SECONDARY SIDE SHOWN)



RECOMMENDED CONNECTOR MATING PAD PATTERN  
 (PRIMARY SIDE SHOWN)



DETAIL D  
 SCALE 10:1



RECOMMENDED CONNECTOR MOUNTING HOLE PATTERN  
 (CONNECTOR SIDE SHOWN)

THIS DRAWING IS A CONTROLLED DOCUMENT.		DIN Francis Lee 06NOV09	Tyco Electronics Corporation Shanghai, P.R.China, 200233
DIMENSIONS: mm		CHK Martin Li 06NOV09	
TOLERANCES UNLESS OTHERWISE SPECIFIED:		APVD Steven Yao 06NOV09	NAME CONNECTOR ASSEMBLY, STANDARD EDGE, 1mm, AGP-PRO:UC, 180 POSITION
0 PLC ± -		PRODUCT SPEC	
1 PLC ± -		APPLICATION SPEC	SIZE CAGE CODE DRAWING NO
2 PLC ± 0.13		RESTRICTED TO	A1 00779 ©=5145409
3 PLC ± -		WEIGHT	CUSTOMER DRAWING
4 PLC ± -		SCALE 1:1	SHEET 2 of 2
ANGLES ± °		REV A1	

单击下面可查看定价，库存，交付和生命周期等信息

[>>TE Connectivity\(泰科\)](#)